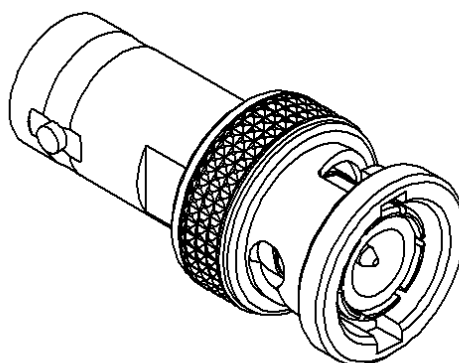
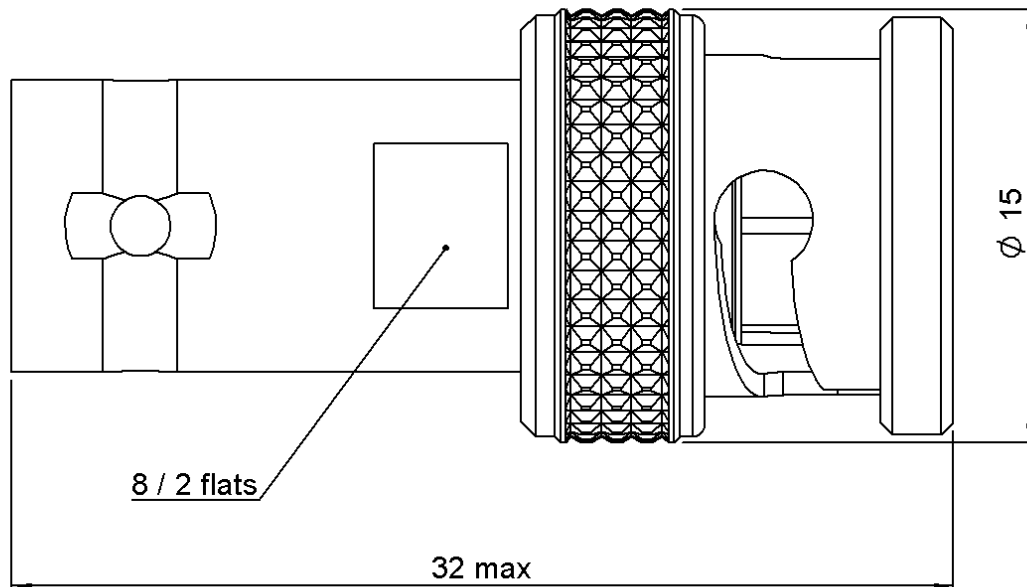
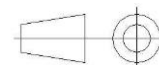


PAGE 1/2	ISSUE 13-11-19A	SERIES ATTENUATOR	PART NUMBER R443141000
----------	-----------------	-----------------------------	-------------------------------



All dimensions are in mm. Tolerances according ISO 2768 m-H



COMPONENTS	MATERIALS	PLATING (µm)
Body	BRASS	NICKEL 2
Male center contact	BRASS	GOLD 0.5 OVER NICKEL 2
Female center contact	BERYLLIUM COPPER	GOLD 0.5 OVER NICKEL 2
Outer contact		
Insulator	PTFE	
Gasket	SILICONE RUBBER	
Substrate		
Resistor		
Others parts		

PAGE 2/2	ISSUE 13-11-19A	SERIES ATTENUATOR	PART NUMBER R443141000
----------	-----------------	-----------------------------	-------------------------------

ELECTRICAL CHARACTERISTICS

Frequency (GHz)	0.01 - 3	3 - 6
V.S.W.R (≤)	1.20	1.40
Deviation(±dB)	0.30	0.60

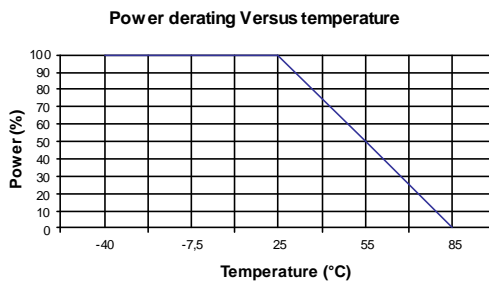
Operating Frequency Range	0.01 - 6	GHz
Impedance	50	Ω
Main Line Voltage	60	V
Typical capacitance	4700	pF
Average power at 25°C	10	W (Free Air Cooled)
		W (Conduction Cooled)

MECHANICAL CHARACTERISTICS

Connectors	BNC	Male Female	MIL-C 39012
Weight	12,8400	g	

ENVIRONMENTAL CHARACTERISTICS

Operating temperature range	-40 / +85	°C
Storage temperature range	-40 / +85	°C


SPECIFICATION
OTHER CHARACTERISTICS