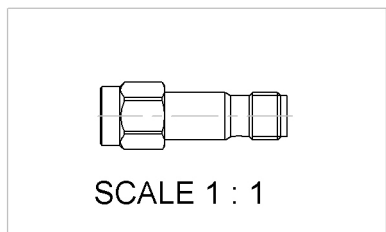
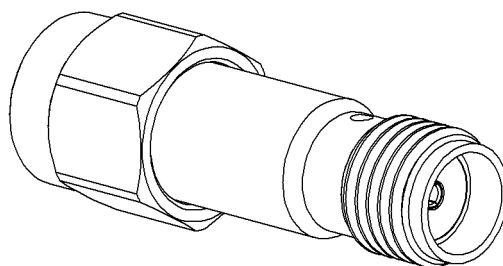
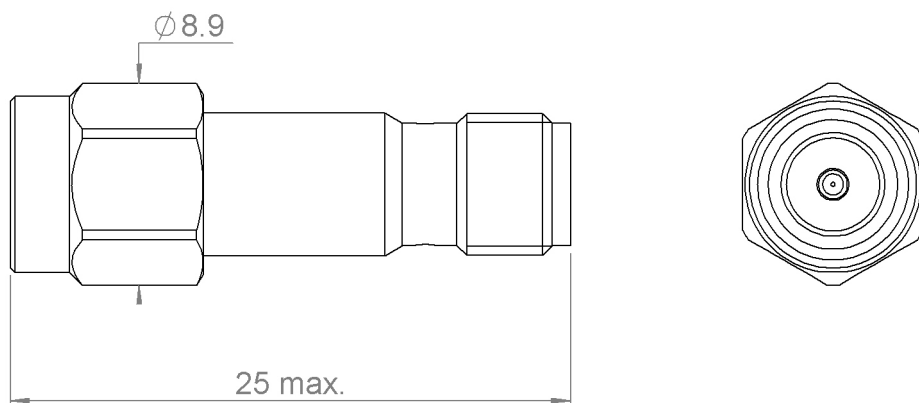
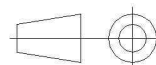


PAGE 1/2	ISSUE 15-09-20H	SERIES DC BLOCK	PART NUMBER R443132000
----------	-----------------	--------------------	-------------------------------



All dimensions are in mm. Tolerances according ISO 2768 m-H



COMPONENTS	MATERIALS	PLATING (µm)
Body	BERYLLIUM COPPER	NICKEL 5
Male center contact	BERYLLIUM COPPER	GOLD 0.5 OVER NICKEL 1
Female center contact	BERYLLIUM COPPER	GOLD 1.3 OVER NICKEL 2
Outer contact		
Insulator	PTFE	
Gasket	SILICONE RUBBER	
Substrate		
Resistor		
Others parts		

PAGE 2/2	ISSUE 15-09-20H	SERIES DC BLOCK	PART NUMBER R443132000
----------	-----------------	--------------------	------------------------

ELECTRICAL CHARACTERISTICS

Frequency (GHz)	0.01 - 2
V.S.W.R (\leq)	1.15
Deviation(\pm dB)	0.20

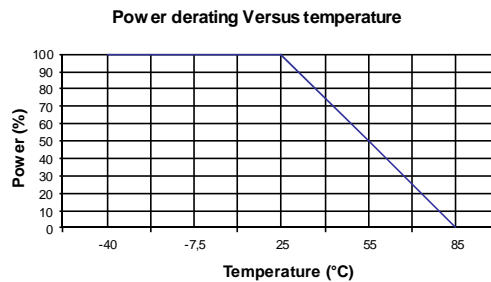
Operating Frequency Range	0.01 - 2	GHz
Impedance	50	Ω
Main line voltage	100	V
Typical capacitance	4700	pF
Average power at 25°C	10	W (Free Air Cooled)
		W (Conduction Cooled)

MECHANICAL CHARACTERISTICS

Connectors	SMA	Male Female	MIL-C 39012
Weight	4,99	g	

ENVIRONMENTAL CHARACTERISTICS

Operating temperature range	-40 / +85	°C
Storage temperature range	-40 / +85	°C


SPECIFICATION
OTHER CHARACTERISTICS