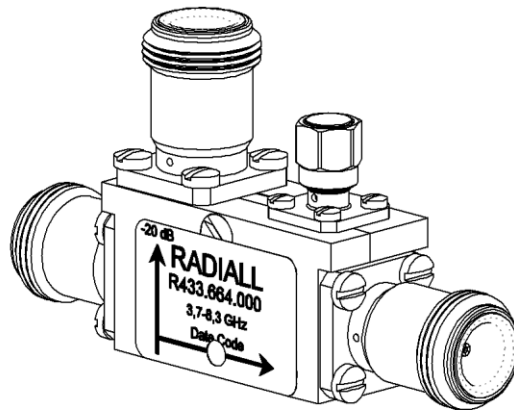
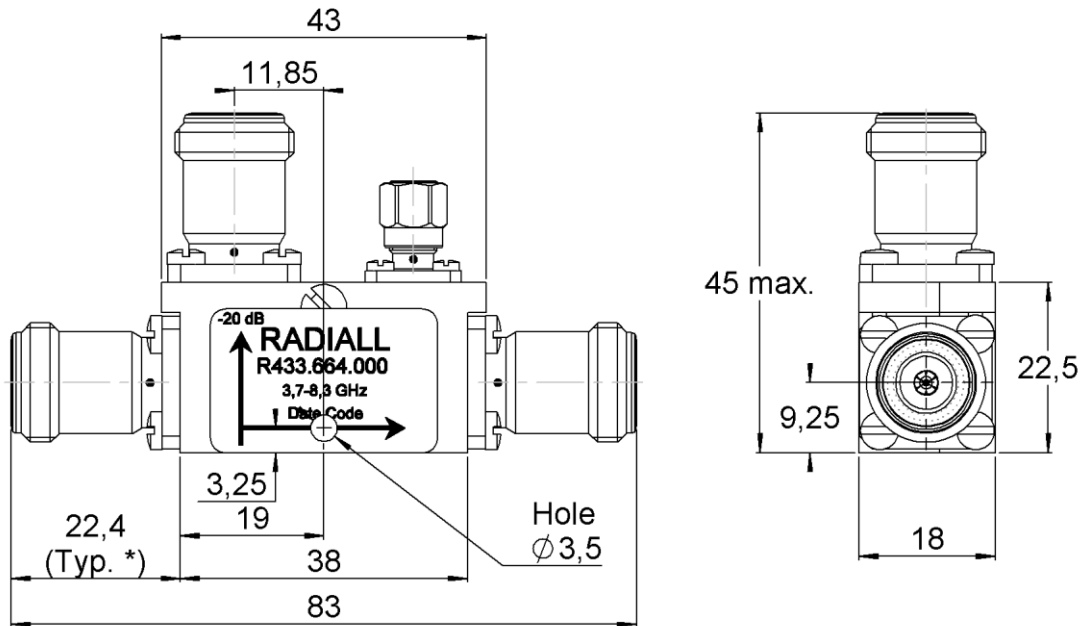
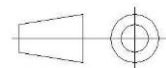


PAGE 1/2	ISSUE 09-12-19B	SERIES COUPLER	PART NUMBER R433664000
----------	-----------------	-------------------	------------------------

Scale 1 : 1



All dimensions are in mm. Tolerances according ISO 2768 m-H



Weight Specification **123,9200** g

ELECTRICAL CHARACTERISTICS

Frequency operating range :	3.7 – 8.3 GHz
Impedance :	50 Ω
VSWR : - Main Line	1.30 max.
- Coupled Line	1.30 max.
Nominal Coupling :	20 dB
Coupling Precision :	± 0.5 dB
Directivity :	18 dB mini
Insertion loss :	0.4 dB max.
Frequency Sensitivity :	± 0.3 dB
Average Power at 25°C	50W
Peak Power at 25°C	3000W

MECHANICAL CHARACTERISTICS

Connector type :	N female per MIL-C 39012
Coaxial Termination :	SMA, 50 Ω , 1W

ENVIRONMENTAL CHARACTERISTICS

Operating temperature :	-25°C / +85°C
Storage temperature :	-40°C / +100°C