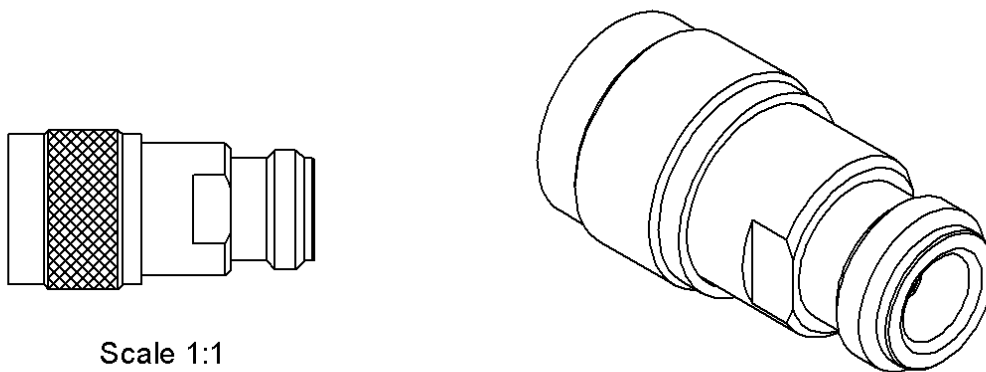
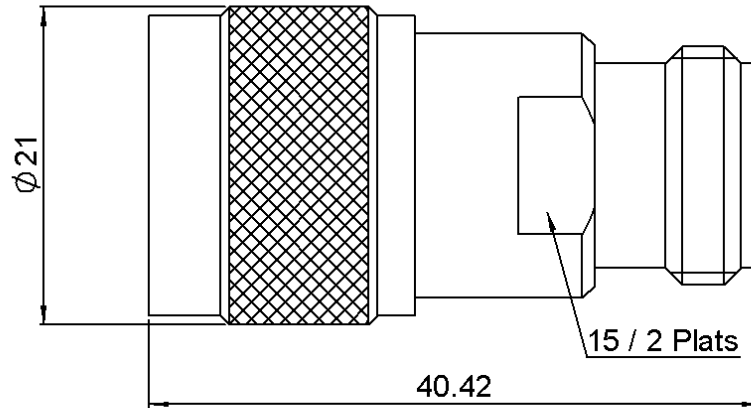


N ATTENUATOR
3 DB 18 GHZ 2W

R414.703.161
Series : **ATTENUATOR**



All dimensions are in mm.



| COMPONENTS | MATERIALS | PLATING(μm) |
|-----------------------|------------------|--------------------------|
| BODY | STAINLESS STEEL | PASSIVATED |
| MALE CENTER CONTACT | BERYLLIUM COPPER | GOLD 1.2 OVER NICKEL 2 |
| FEMALE CENTER CONTACT | BERYLLIUM COPPER | GOLD 1.2 OVER NICKEL 2 |
| OUTER CONTACT | | |
| INSULATOR | PTFE | |
| GASKET | SILICONE RUBBER | |
| SUBSTRATE | ALUMINA | |
| RESISTOR | THIN FILM | |
| OTHERS PARTS | | |

Issue : 0839 A

In the effort to improve our products, we reserve the right to make changes judged to be necessary.



N ATTENUATOR
3 DB 18 GHZ 2W

R414.703.161
 Series : ATTENUATOR

ELECTRICAL CHARACTERISTICS

| | | | | |
|-----------------|--------|-------|----------|-----------|
| Frequency (GHz) | DC - 4 | 4 - 8 | 8 - 12.4 | 12.4 - 18 |
| V.S.W.R (≤) | 1.15 | 1.20 | 1.25 | 1.35 |
| Deviation(±dB) | 0.40 | 0.40 | 0.40 | 0.40 |

| | | |
|------------------------------|---------|-----------------------|
| Operating Frequency Range | DC - 18 | GHz |
| Impedance | 50 | Ω |
| Nominal Attenuation | 3 | dB |
| Peak power at 25°C (1μs, 1%) | 100 | W |
| Average power at 25°C | 2 | W (Free Air Cooled) |
| | | W (Conduction Cooled) |

MECHANICAL CHARACTERISTICS

| | | | |
|------------|---------|---|--|
| Connectors | | | |
| Weight | 60,0400 | g | |

ENVIRONMENTAL CHARACTERISTICS

| | |
|-----------------------------|----|
| Operating temperature range | °C |
| Storage temperature range | °C |



SPECIFICATION

OTHER CHARACTERISTICS

Issue : 0839 A

In the effort to improve our products, we reserve the right to make changes judged to be necessary.

