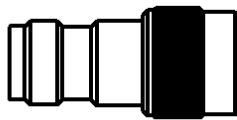
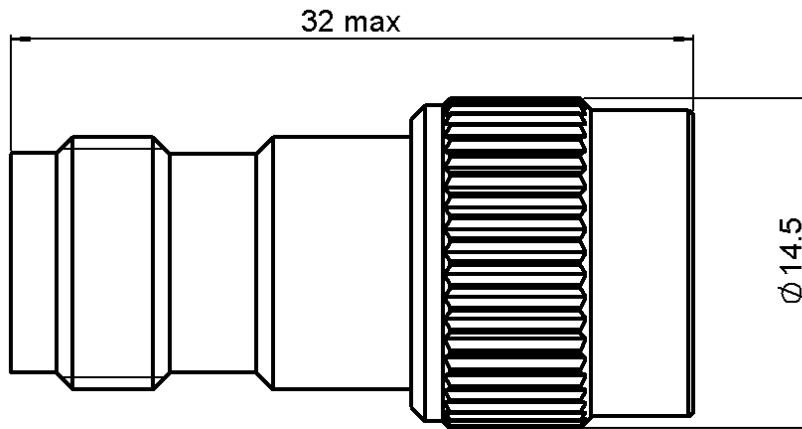
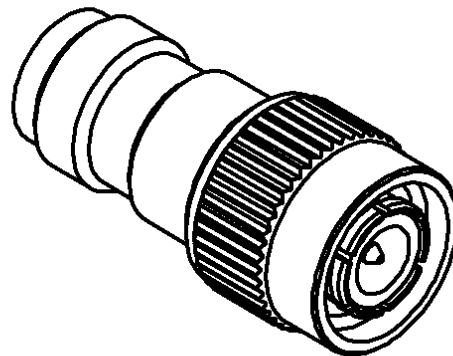


TNC ATTENUATOR
3 DB 3 GHZ 1W

R412.503.124
Series : ATTENUATOR



SCALE 1/1



All dimensions are in mm.

| COMPONENTS | MATERIALS | PLATING(μm) |
|-----------------------|------------------|----------------------|
| BODY | BRASS | NICKEL 2 |
| MALE CENTER CONTACT | BRASS | GOLD 1 OVER NICKEL 2 |
| FEMALE CENTER CONTACT | BERYLLIUM COPPER | GOLD 1 OVER NICKEL 2 |
| OUTER CONTACT | | |
| INSULATOR | PTFE | |
| GASKET | SILICONE RUBBER | |
| SUBSTRATE | ALUMINA | |
| RESISTOR | THICK FILM | |
| OTHERS PARTS | | |

Issue : 0827 A

In the effort to improve our products, we reserve the right to make changes judged to be necessary.



TNC ATTENUATOR
3 DB 3 GHZ 1W

R412.503.124
 Series : ATTENUATOR

ELECTRICAL CHARACTERISTICS

| | | |
|----------------------|--------|-------|
| Frequency (GHz) | DC - 2 | 2 - 3 |
| V.S.W.R (\leq) | 1.20 | 1.30 |
| Deviation(\pm dB) | 0.30 | 0.50 |

| | | |
|------------------------------------|--------|-----------------------|
| Operating Frequency Range | DC - 3 | GHz |
| Impedance | 50 | Ω |
| Nominal Attenuation | 3 | dB |
| Peak power at 25°C (1 μ s, 1%) | 100 | W |
| Average power at 25°C | 1 | W (Free Air Cooled) |
| | | W (Conduction Cooled) |

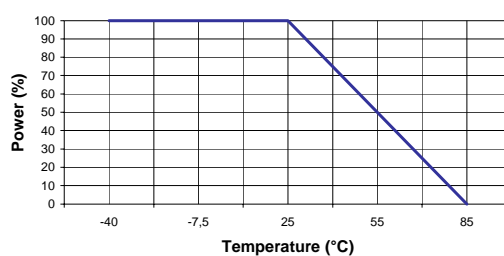
MECHANICAL CHARACTERISTICS

| | | | |
|------------|-----------|-------------|-------------|
| Connectors | TNC | Male Female | MIL-C 39012 |
| Weight | 16,7700 g | | |

ENVIRONMENTAL CHARACTERISTICS

| | |
|-----------------------------|--------------|
| Operating temperature range | -40 / +85 °C |
| Storage temperature range | -40 / +85 °C |

Power derating Versus temperature



SPECIFICATION

OTHER CHARACTERISTICS

Issue : 0827 A

In the effort to improve our products, we reserve the right to make changes judged to be necessary.

