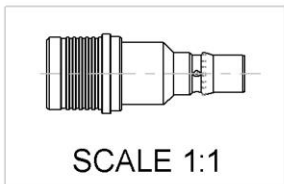
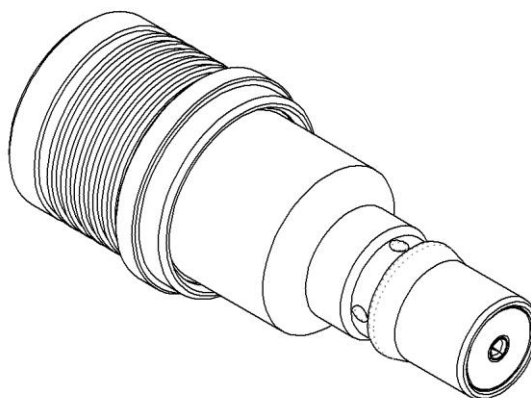
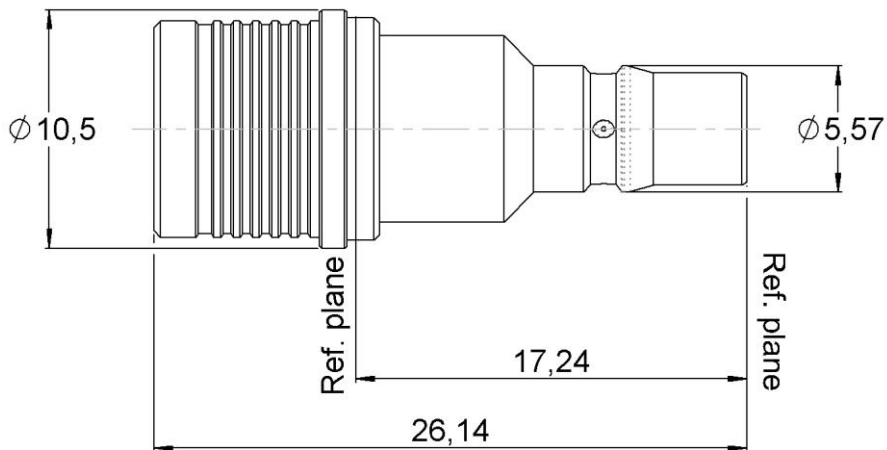
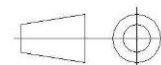


|          |                 |                       |                        |
|----------|-----------------|-----------------------|------------------------|
| PAGE 1/2 | ISSUE 18-11-16D | SERIES<br>ATTENUATEUR | PART NUMBER R411707124 |
|----------|-----------------|-----------------------|------------------------|



All dimensions are in mm.



| COMPONENTS            | MATERIALS               | PLATING ( $\mu\text{m}$ ) |
|-----------------------|-------------------------|---------------------------|
| Body                  | <b>BRASS</b>            | <b>BBR</b>                |
| Male center contact   | <b>BRASS</b>            | <b>GOLD OVER COPPER</b>   |
| Female center contact | <b>BERYLLIUM COPPER</b> | <b>GOLD OVER COPPER</b>   |
| Outer contact         | <b>BRONZE</b>           | <b>BBR</b>                |
| Insulator             | <b>PTFE</b>             |                           |
| Gasket                | -                       |                           |
| Substrate             | <b>ALUMINA</b>          |                           |
| Resistor              | <b>THICK FILM</b>       |                           |
| Others parts          | -                       |                           |

|          |                 |                       |                        |
|----------|-----------------|-----------------------|------------------------|
| PAGE 2/2 | ISSUE 18-11-16D | SERIES<br>ATTENUATEUR | PART NUMBER R411707124 |
|----------|-----------------|-----------------------|------------------------|

**ELECTRICAL CHARACTERISTICS**

|                 |               |              |
|-----------------|---------------|--------------|
| Frequency (GHz) | <b>DC - 2</b> | <b>2 - 6</b> |
| V.S.W.R (≤)     | <b>1.20</b>   | <b>1.30</b>  |
| Deviation(±dB)  | <b>0.50</b>   | <b>0.50</b>  |

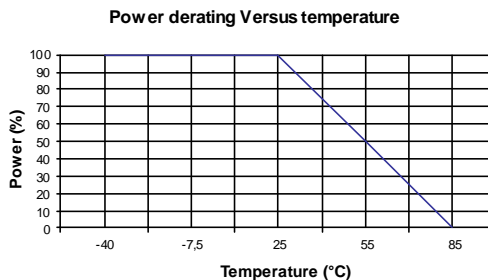
|                              |               |                       |
|------------------------------|---------------|-----------------------|
| Operating Frequency Range    | <b>DC - 6</b> | GHz                   |
| Impedance                    | <b>50</b>     | Ω                     |
| Nominal Attenuation          | <b>7</b>      | dB                    |
| Peak power at 25°C (1μs, 1%) | <b>100</b>    | W                     |
| Average power at 25°C        | <b>1</b>      | W (Free Air Cooled)   |
|                              |               | W (Conduction Cooled) |

**MECHANICAL CHARACTERISTICS**

|            |                 |                    |
|------------|-----------------|--------------------|
| Connectors | <b>QMA</b>      | <b>Male Female</b> |
| Weight     | <b>6,2500</b> g |                    |

**ENVIRONMENTAL CHARACTERISTICS**

|                             |                   |
|-----------------------------|-------------------|
| Operating temperature range | <b>-40/+85</b> °C |
| Storage temperature range   | <b>-40/+85</b> °C |



**SPECIFICATION**

**OTHER CHARACTERISTICS**