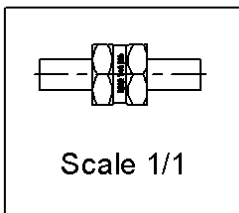
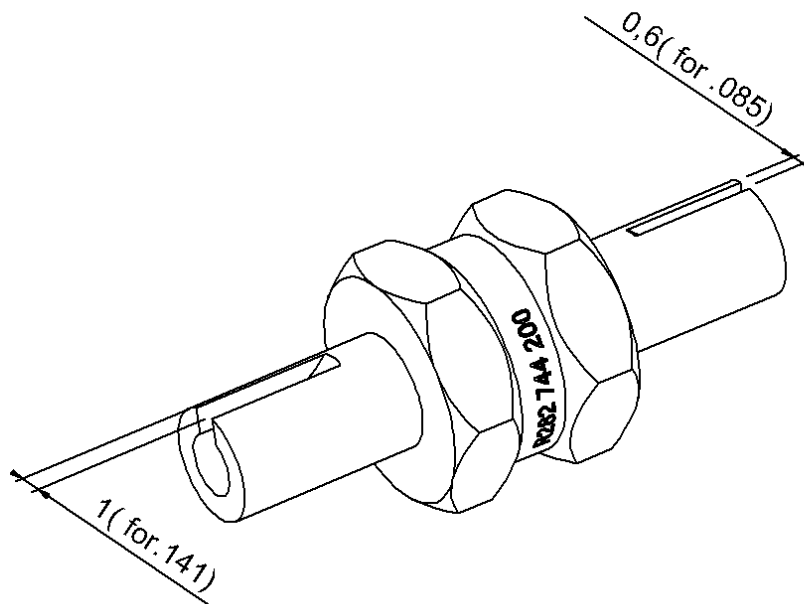
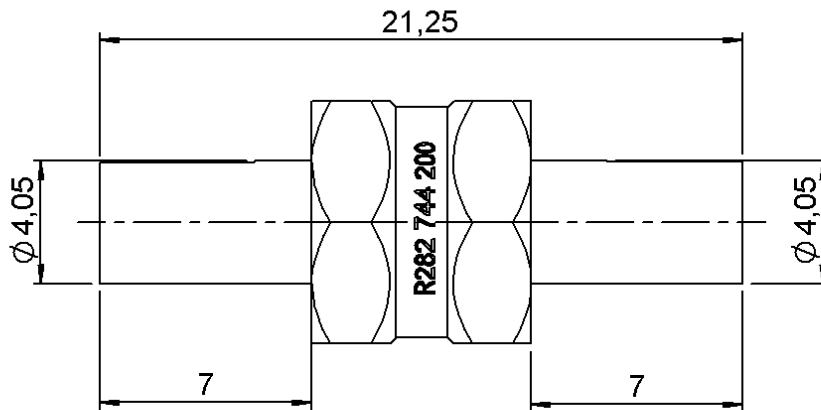
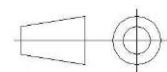


PAGE 1/1	ISSUE 01-06-15B	SERIES OUT	PART NUMBER R282744200
----------	-----------------	------------	------------------------



All dimensions are in mm.



**USE THIS TOOL TO POSITION THE CABLE
CORRECTLY INTO THE CONNECTOR FOR
SOLDERING.**