

Path: [Home](#) > [Enclosure Index](#) > [MOREnclosures](#) > **ROLEC - Sealed - Diecast Aluminum HandCase**



click to enlarge
(Assembled View)



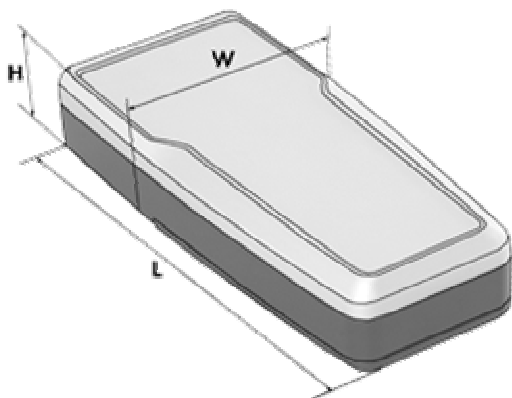
click to enlarge
(Application)



click to enlarge
(Group View)

Key Features:

- Designed as a heavy duty hand held - manufactured in diecast aluminum for superior strength.
- Ergonomic design for extended handling without fatigue.
- Two part - styled lid construction. Top half includes smooth recessed area for membrane, label or silkscreen.
- Top half powder painted in a silver grey and the bottom half is powder painted in black.
- P.C. board standoffs are cast into both halves of the enclosure - (see [photo tables](#) for details). Mounting screws included.
- The two smaller sizes include an ABS plastic battery compartment installed and gasketed access bottom lid. This battery compartment can hold up to 4 AA 1.5V batteries OR 2 - 9V batteries.
- Gasketed lid with two piece "tongue & groove" construction provides protection against access of oil, dust and water.
- Lid screws are stainless steel.
- Designed to meet IP66.



Part Number	Battery Compartment	Units	Length	Width	Enclosure Depth (With Lid)	Weight
R270-080-000	Yes	Inches	7.09	3.15	1.67	1 lb.
		mm	180	80	42.4	1.1 oz.
R270-100-000	Yes	Inches	8.66	3.94	1.67	1 lb.7.1 oz.
		mm	220	100	42.4	oz.
R271-100-000	No	Inches	8.66	3.94	2.46	1 lb.
		mm	220	100	62.4	8.3 oz.



Link here to [photo tables](#) of each part number.



click to enlarge

**Assembled View
(Bottom)**



(click to enlarge)

**Open View
(Bottom)**



(click to enlarge)

**Open View
(Top)**

Exactly what you are looking for???

Link to our stocking distributors - most have "on-line" pricing, stock check and ordering!!!

[Our Distributors](#)

[Order from your favorite distributor](#)

[Home](#) | [Products](#) | [Distributors](#) | [Technical](#) | [Contact Us](#) | [Other Options](#)

Copyright; © 2007-2009 Hammond Mfg Co Inc
URL: <http://www.hammondmfg.com>