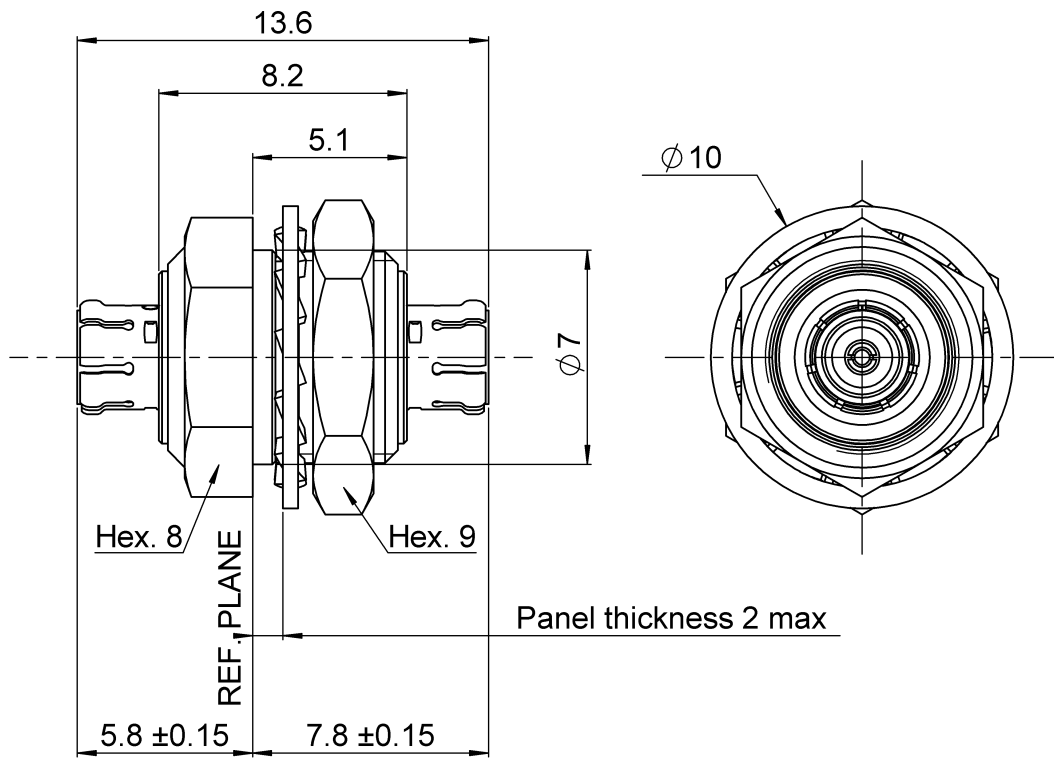
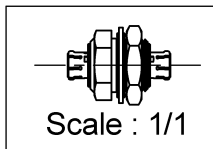
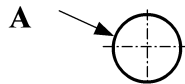


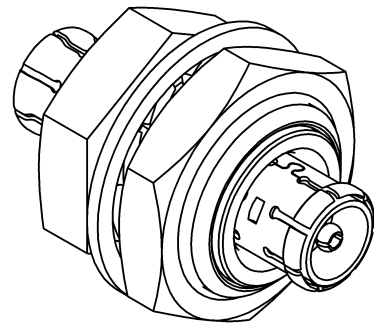
| | | | |
|----------|-----------------|-------------|------------------------|
| PAGE 1/2 | ISSUE 25-01-16D | SERIES MMBX | PART NUMBER R223720020 |
|----------|-----------------|-------------|------------------------|



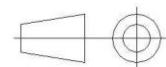
PANEL CUT OUT



| | mm | |
|---|------|------|
| | Maxi | mini |
| A | 7.27 | 7.13 |



All dimensions are in mm.



| COMPONENTS | MATERIALS | PLATING (µm) |
|----------------|--------------------------------|-------------------------|
| Body | BRASS, BERYLLIUM COPPER | NPGR |
| Center contact | BERYLLIUM COPPER | GOLD OVER NICKEL |
| Outer contact | - | - |
| Insulator | PTFE+LCP | - |
| Gasket | - | - |
| Others parts | BRASS | NPGR |
| - | - | - |
| - | - | - |

| | | | |
|----------|------------------------|--------------------|-------------------------------|
| PAGE 2/2 | ISSUE 25-01-16D | SERIES MMBX | PART NUMBER R223720020 |
|----------|------------------------|--------------------|-------------------------------|

PACKAGING

| Standard | Unit | Other |
|------------|-------------------|-------------------|
| 100 | Contact us | Contact us |

ELECTRICAL CHARACTERISTICS

| | | | |
|---------------------------------|------------|---------------|-----------------------------|
| Impedance | | 50 | Ω |
| Frequency | | 0-12.4 | GHz |
| VSWR | TBD | + | 0.0000 x F(GHz) Maxi |
| Insertion loss | | NA | \sqrt{F} (GHz) dB Maxi |
| RF leakage | - (| NA | - F(GHz)) dB Maxi |
| Voltage rating | | 500 | Veff Maxi |
| Dielectric withstanding voltage | | 1000 | Veff mini |
| Insulation resistance | | 1000 | M Ω mini |

MECHANICAL CHARACTERISTICS

| | | | |
|----------------------------|--|---------------|-------------|
| Center contact retention | | | |
| Axial force – Mating End | | 10 | N mini |
| Axial force – Opposite end | | 10 | N mini |
| Torque | | NA | N.cm mini |
| Recommended torque | | | |
| Mating | | NA | N.cm |
| Panel nut | | 60 | N.cm |
| Mating life | | 100 | Cycles mini |
| Weight | | 2.8000 | g |

ENVIRONMENTAL

| | | |
|-----------------------|-----------------|--------------------|
| Operating temperature | -55 +155 | $^{\circ}\text{C}$ |
| Hermetic seal | NA | Atm.cm3/s |
| Panel leakage | NA | |

SPECIFICATION

09D86565W Rev03 -

OTHER CHARACTERISTICS

Assembly instruction:

Others:
to 6 GHz