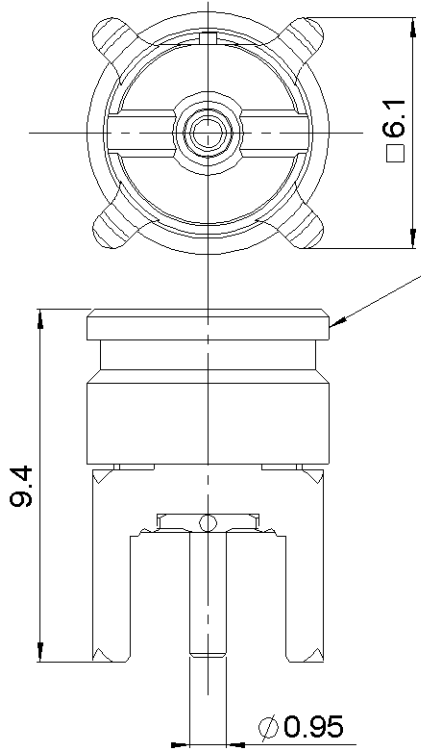


**STRAIGHT JACK RECEPTACLE FOR PCB**

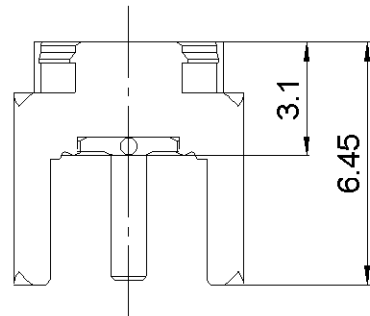
**R223.425.800**

**SOLDER LEGS - REEL OF 500**

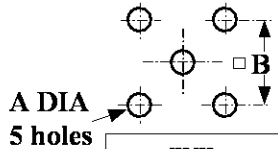
Series : MMBX



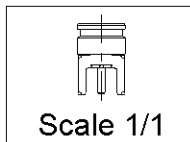
Seulement pour conditionnement en bobine.  
For tape and reel packaging only.



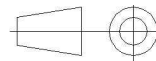
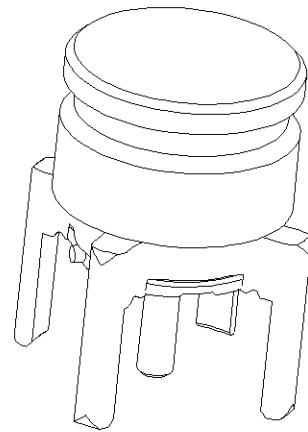
**PANEL CUT OUT**



	mm	
	Maxi	mini
<b>A</b>	1.4	1.2
<b>B</b>	5.16	5



All dimensions are in mm.



COMPONENTS	MATERIALS	PLATING (µm)
<b>BODY</b>	<b>BRASS</b>	<b>NPGR</b>
<b>CENTER CONTACT</b>	<b>BRASS</b>	<b>NPGR</b>
<b>OUTER CONTACT</b>	-	-
<b>INSULATOR</b>	<b>LIQUID CRYSTAL POLYMER</b>	
<b>GASKET</b>		
<b>OTHERS PARTS</b>	<b>PTFE</b>	
-	-	-
-	-	-

Issue : 0939 C

In the effort to improve our products, we reserve the right to make changes judged to be necessary.



**STRAIGHT JACK RECEPTACLE FOR PCB**

**R223.425.800**

**SOLDER LEGS - REEL OF 500**

Series : MMBX

**PACKAGING**

**SPECIFICATION**

Standard	Unit	Other
<b>500</b>	<b>'W' option</b>	<b>Contact us</b>

**ELECTRICAL CHARACTERISTICS**

**ENVIRONMENTAL**

Impedance	<b>50</b>	$\Omega$
Frequency	<b>0-12.4</b>	GHz
VSWR	<b>1.065* + 0.0000</b>	x F(GHz) Maxi
Insertion loss	<b>0.12</b>	$\sqrt{F}(\text{GHz})$ dB Maxi
RF leakage	<b>- ( 100**</b>	- F(GHz)) dB Maxi
Voltage rating	<b>330</b>	Veff Maxi
Dielectric withstanding voltage	<b>1000</b>	Veff mini
Insulation resistance	<b>1000</b>	M $\Omega$ mini

Operating temperature	<b>-55/+155</b>	$^{\circ}$ C
Hermetic seal	<b>NA</b>	Atm.cm3/s
Panel leakage	<b>NA</b>	

**OTHER CHARACTERISTICS**

Assembly instruction **NA**

Others :

\*to 6 GHz

\*\*Interface MMBX only up to 2.5 GHz

PCB to PCB -45 dB up to 2.5 GHz

Mated pair height 6.7mm

**MECHANICAL CHARACTERISTICS**

Center contact retention		
Axial force – Mating end	<b>10</b>	N mini
Axial force – Opposite end	<b>10</b>	N mini
Torque	<b>NA</b>	N.cm mini
Recommended torque		
Mating	<b>NA</b>	N.cm
Panel nut	<b>NA</b>	N.cm
Mating life	<b>100</b>	Cycles mini
Weight	<b>0.4000</b>	g

Issue : 0939 C

In the effort to improve our products, we reserve the right to make changes judged to be necessary.

**RADIALL** 

STRAIGHT JACK RECEPTACLE FOR PCB

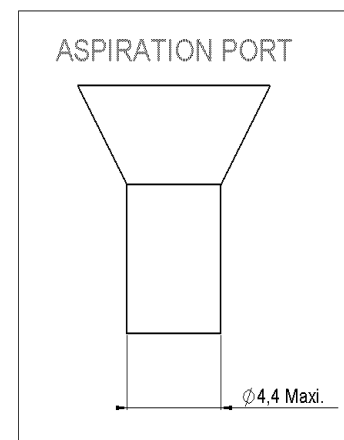
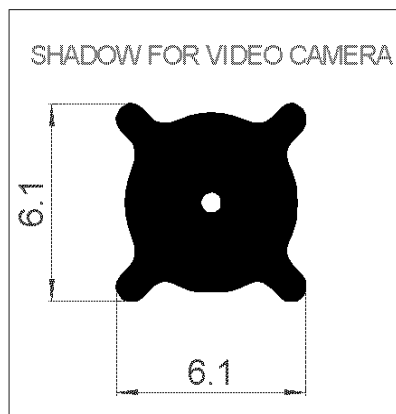
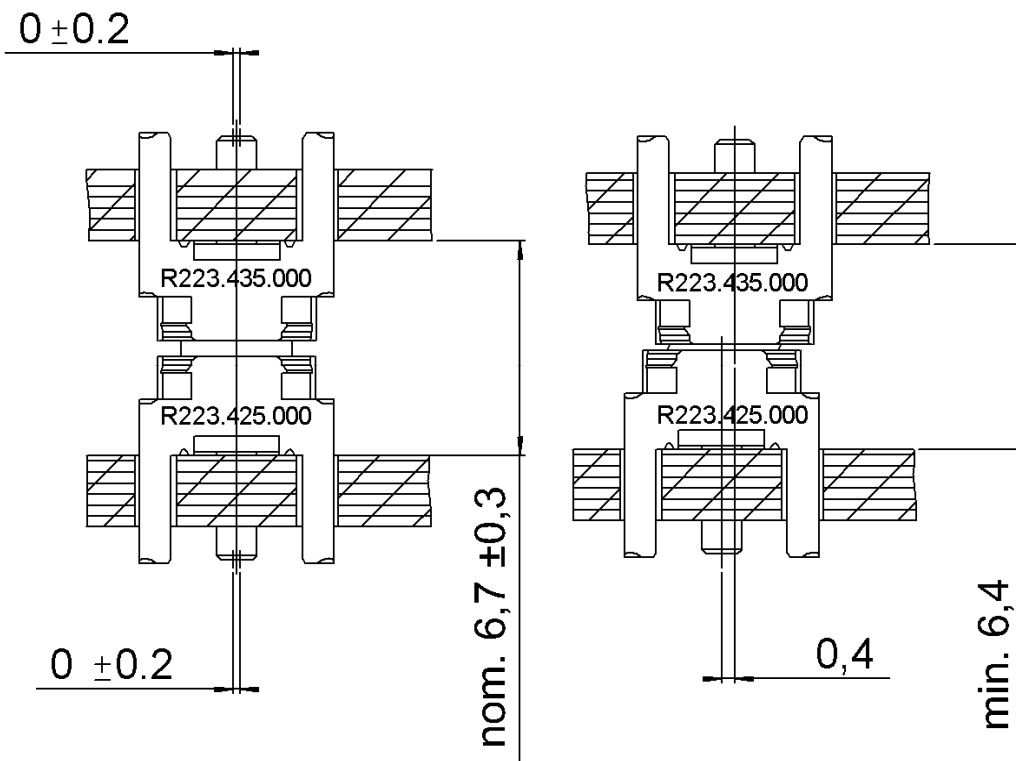
**R223.425.800**

SOLDER LEGS - REEL OF 500

Series : MMBX

# MMBX SERIES INFORMATIONS

## PCB



Issue : 0939 C

In the effort to improve our products, we reserve the right to make changes judged to be necessary.

STRAIGHT JACK RECEPTACLE FOR PCB

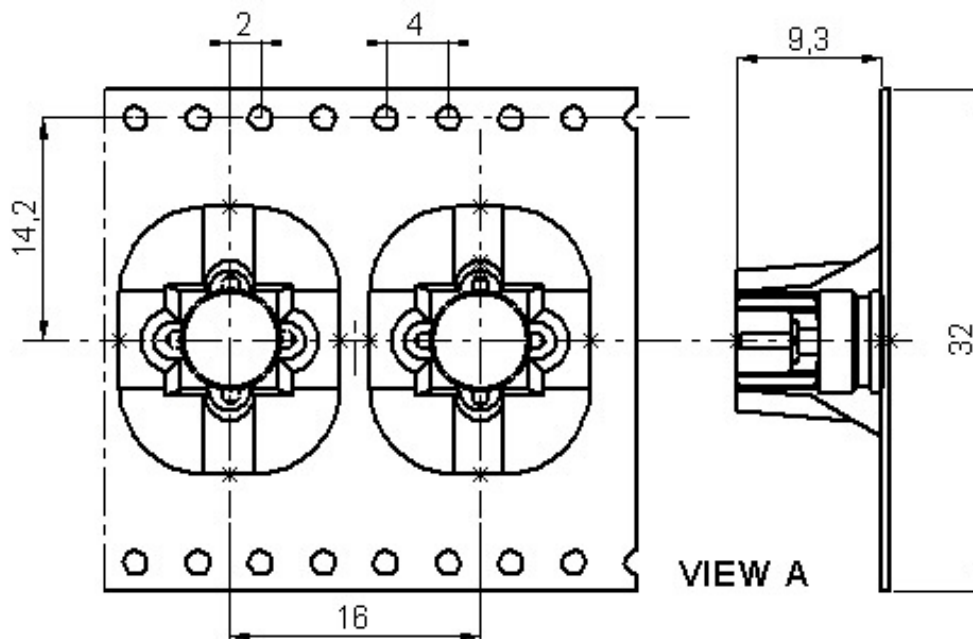
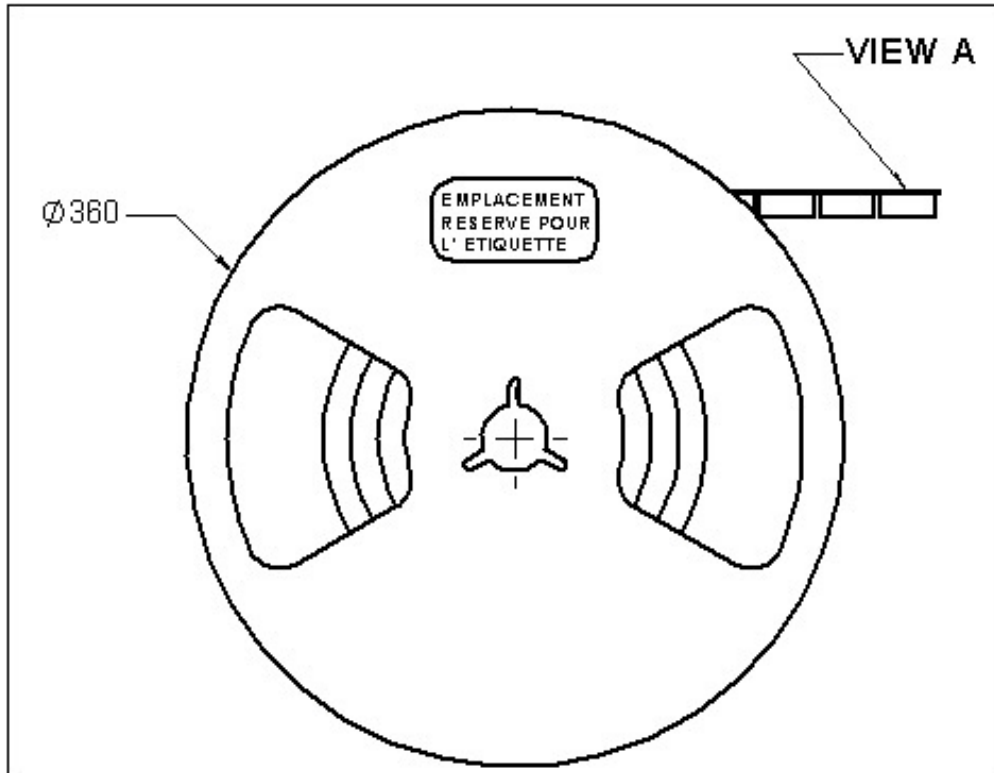
**R223.425.800**

SOLDER LEGS - REEL OF 500

Series : MMBX

# MMBX SERIES INFORMATIONS

## PCB



Issue : 0939 C

In the effort to improve our products, we reserve the right to make changes judged to be necessary.