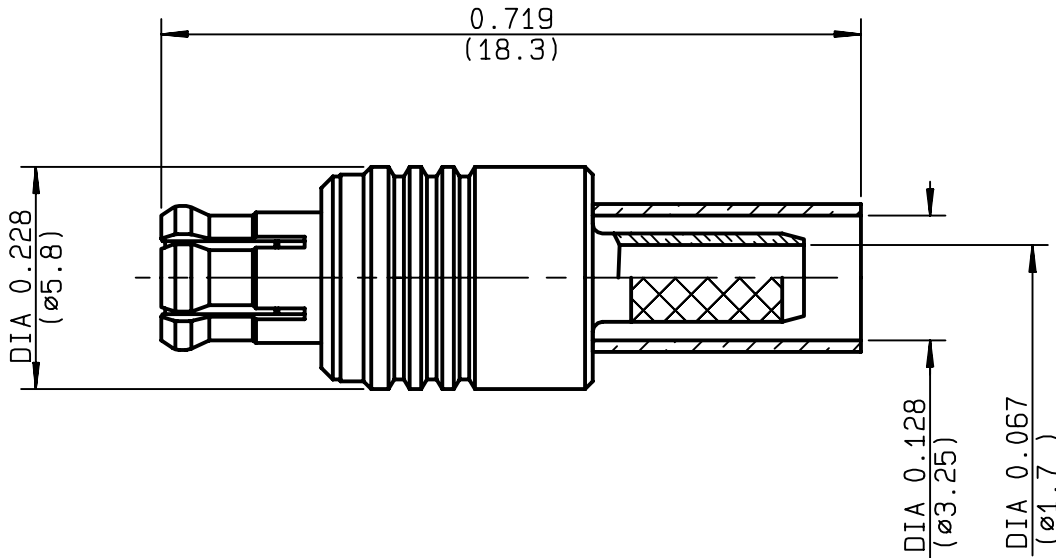


**STRAIGHT PLUG FULL CRIMP TYPE
CABLE 2.6/75 D**

R213.083.007
SERIES MCX 75



NOMINAL IMPEDANCE	75 Ω	CABLES : K02253D-02	
FREQUENCY RANGE	0-6 GHz		
TEMPERATURE RATING	-55/+155 °C		
V.S.W.R	1.05 + .02 x F(GHz)Maxi		
RF INSERTION LOSS	0.06 √F(GHz) dB Maxi		
VOLTAGE RATING	335 Veff Maxi		
DIELECTRIC WITHSTANDING VOLTAGE	750 Veff Mini		
INSULATION RESISTANCE	1000 MΩMini		OTHERS CHARACTERISTICS
HERMETIC SEAL	NA Atm.cm ³ /s		CABLE RETENTION 105 N Mini
LEAKAGE (pressurized only)	NA		CENTER CONTACT RETENTION
MECHANICAL DURABILITY	500 Cycles	Axial force - mating end 10 N Mini	
WEIGHT	1.4 gr	Axial force - opposite end 10 N Mini	
SPECIFICATION		Torque NA cm.N Mini	
		RECOMMENDED TORQUES	
		Mating NA cm.N	
		Panel nut NA cm.N	
		Clamp nut NA cm.N	

CONNECTOR PARTS	MATERIALS	FINISH	(all values are given) in micrometers
BODY	BRASS	BBR 2	
OUTER CONTACT	BERYLLIUM COPPER	BBR 2	
CENTER CONTACT	BRASS	GOLD 1.3 OVER NICKEL 2	
INSULATOR	PTFE	-	
GASKET	-	-	
OTHERS PIECES	BRASS	BBR 2	

ISSUE 9916A01	CREATION DATE 23/08/1996	FILE PART-NUMBER 96-0102-012
-------------------------	------------------------------------	--



AGRIODOS

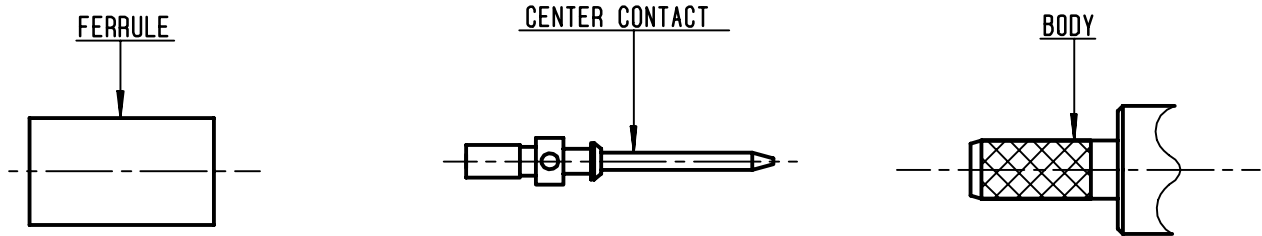
The information given here is subject to change without notice.
Design changes may be in order to improve the product .

Connect to the future



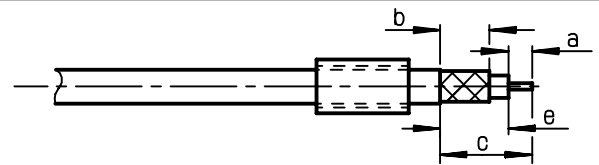
R213.083.007

ISSUE **9916A01** SERIES **MCX 75**



①

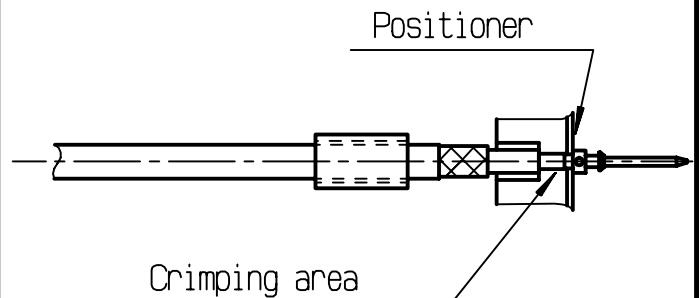
Slide ferrule onto cable .
Strip the cable .
-
-



Stripping	a	b	c	d	e
inch	0.091	0.217	0.406	0	0.315
mm	2.3	5.5	10.3		8

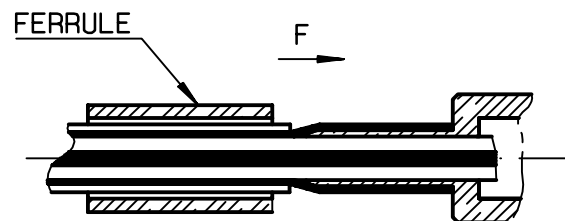
②

Crimp the center contact with the crimping tool R282.271.000 square .028 (carre 0.72)
-
-
-
-
-



③

Open the braid
Slide body under braid
Slide ferrule over the braid
(In direction F)
-



④

Crimp the ferrule with crimping tool R282.271.000 (Hex. : .127) (3.25)
-
-
-

