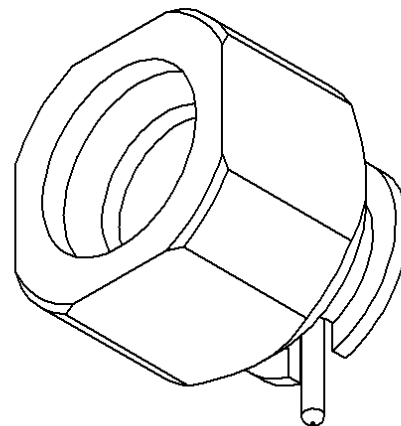
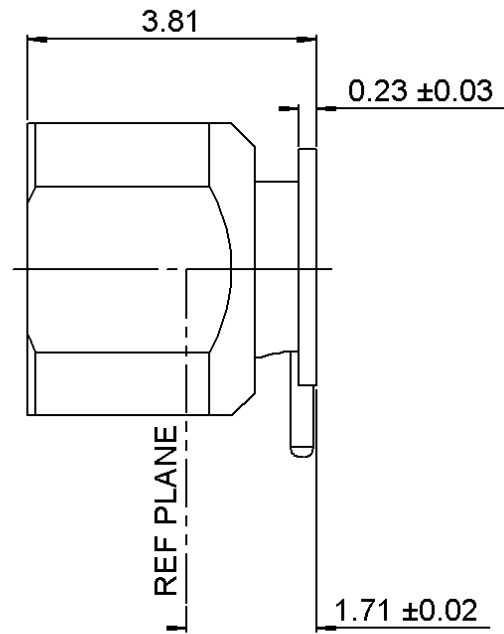
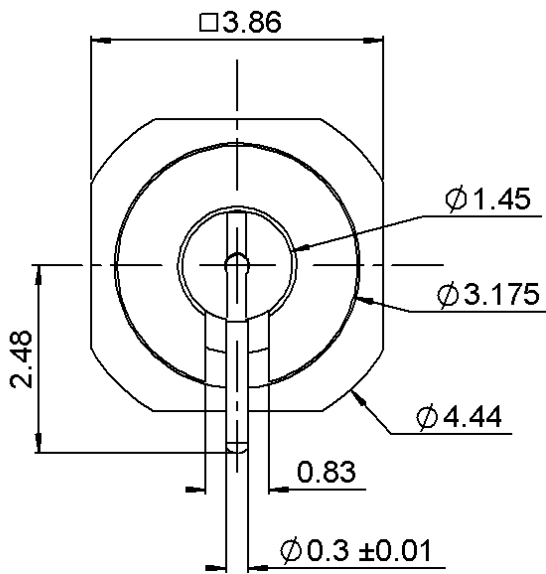

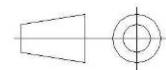


PAGE 1/5	ISSUE 18-04-19A	SERIES SMPM	PART NUMBER R201508700
----------	-----------------	-------------	------------------------




Scale 1:1

All dimensions are in mm. Tolerances according ISO 2768 m-H



COMPONENTS	MATERIALS	PLATING (µm)
Body	BERYLLIUM COPPER	GOLD OVER NICKEL
Center contact	BERYLLIUM COPPER	GOLD OVER NICKEL
Outer contact		-
Insulator	PEEK	
Gasket	-	
Others parts	-	
-	-	
-	-	

PAGE 2/5	ISSUE 18-04-19A	SERIES SMPM	PART NUMBER R201508700
----------	-----------------	-------------	------------------------

PACKAGING

Standard	Unit	Other
500	Contact us	Contact us

ELECTRICAL CHARACTERISTICS

Impedance		50	Ω
Frequency		0-65*	GHz
VSWR	** +	0,0000	x F(GHz) Maxi
Insertion loss		0.12*	√F(GHz) dB Maxi
RF leakage	- (NA	- F(GHz) dB Maxi
Voltage rating		335	Veff Maxi
Dielectric withstanding voltage		500	Veff mini
Insulation resistance		5000	MΩ mini

ENVIRONMENTAL

Operating temperature	-65/+165	°C
Hermetic seal	NA	Atm.cm3/s
Panel leakage	NA	

MECHANICAL CHARACTERISTICS

Center contact retention			
Axial force – Mating End		6.7***	N mini
Axial force – Opposite end		6.7***	N mini
Torque		NA	N.cm mini

SPECIFICATION

OTHER CHARACTERISTICS

Recommended torque			
Mating		NA	N.cm
Panel nut		NA	N.cm
Mating life		500	Cycles mini
Nominal Weight (Add +15% for max weight)		0,2740	g

Assembly instruction:

Others:

***Coaxial transmission line only**

**** 1.15 to 12GHz**

**** 1.35 to 20GHz**

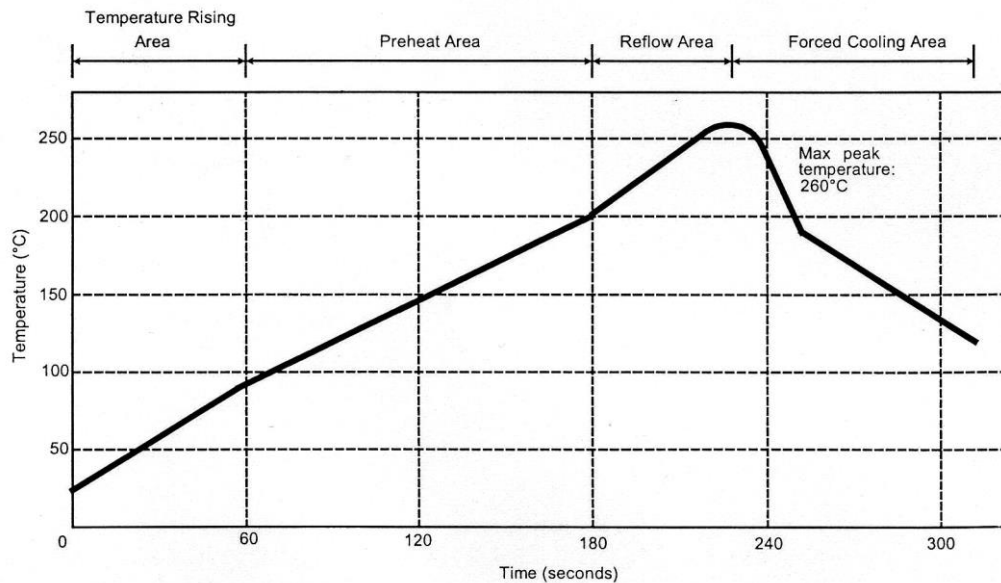
****Performance strongly depends on layout and PCB material**

*****after soldering on PCB**

PAGE 3/5	ISSUE 18-04-19A	SERIES SMPM	PART NUMBER R201508700
----------	-----------------	-------------	------------------------

SOLDER PROCEDURE

- Deposition of solder paste 'Sn Ag4 Cu0.5' on mounting zone by screen printing application. We recommend a low residue flux. We advise a thickness of 150 µm. Verify that the edges of the zone are clean.
- Placement of the receptacle on the mounting zone with an automatic machine of 'pick and place' type. Video camera is recommended for the positioning of the component. Adhesive agents must not be used on the receptacle.
- Soldering by infra-red reflow. Below, please find the typical profile to use.
- Cleaning of printed circuit boards.
- Checking of solder joints and position of the component by visual inspection.

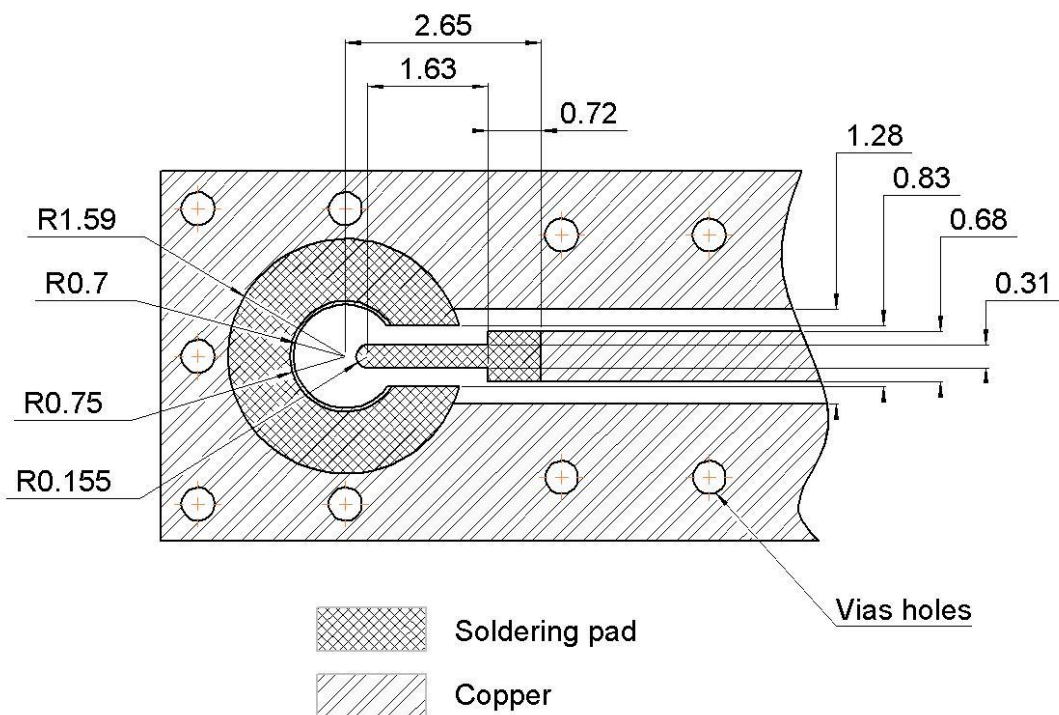


Parameter	Value	Unit
Temperature rising Area	1 - 4	°C/sec
Max Peak Temperature	260	°C
Max dwell time @260°C	10	sec
Min dwell time @235°C	20	sec
Max dwell time @235°C	60	sec
Temperature drop in cooling Area	-1 to -4	°C/sec
Max dwell time above 100°C	420	sec

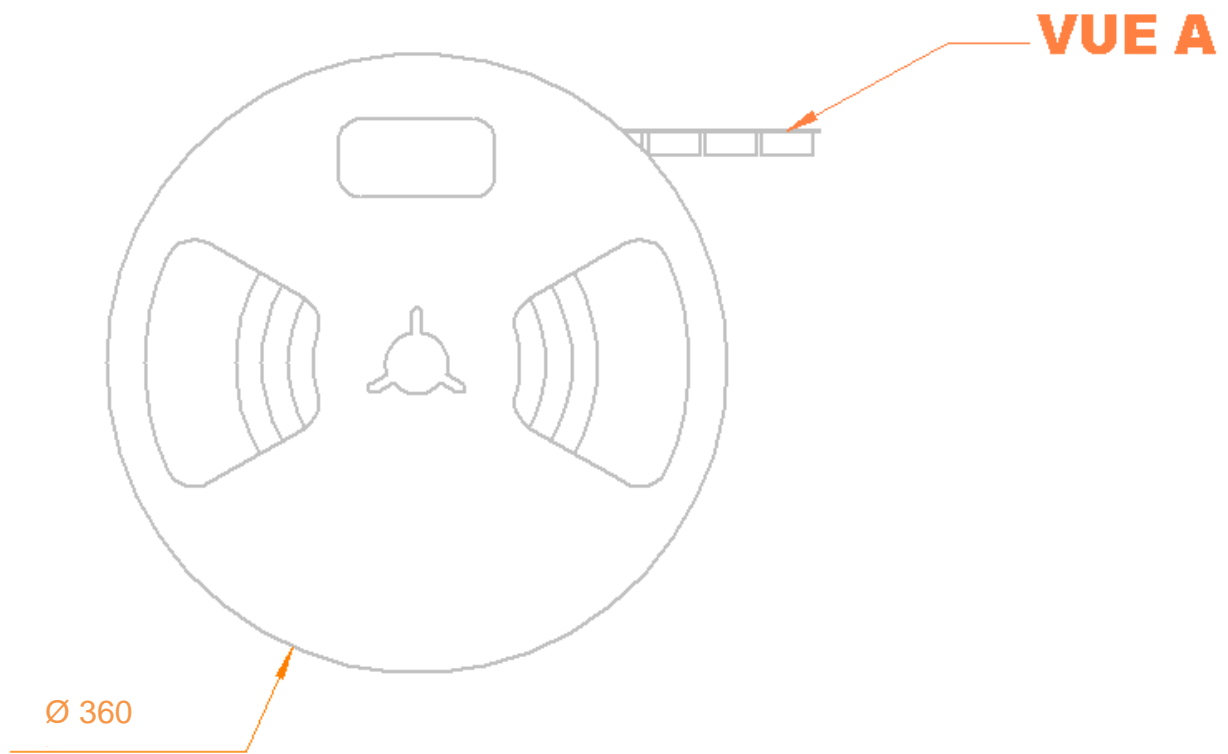
PAGE 4/5	ISSUE 18-04-19A	SERIES SMPM	PART NUMBER R201508700
----------	-----------------	-------------	------------------------

RECOMMENDED PAD DIMENSIONS

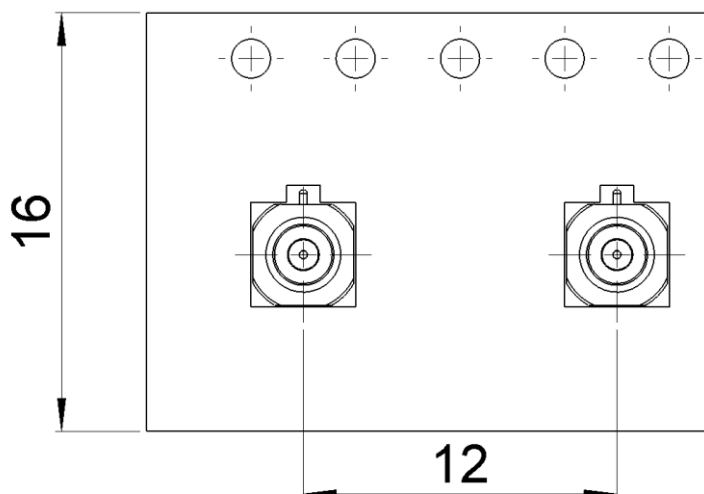
Substrat: RT5880 thickness 0.254 mm, with copper layer 35µm on both sides.
 Add vias between both sides along upper ground plane according to engineering practise.



PAGE 5/5	ISSUE 18-04-19A	SERIES SMPM	PART NUMBER R201508700
----------	-----------------	-------------	------------------------



Vue suivant A



AIR SUCTION

