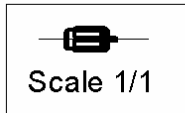
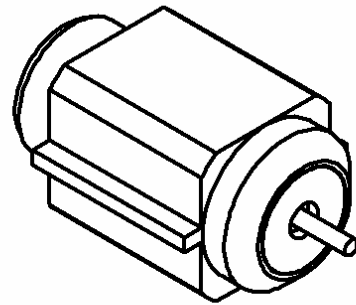
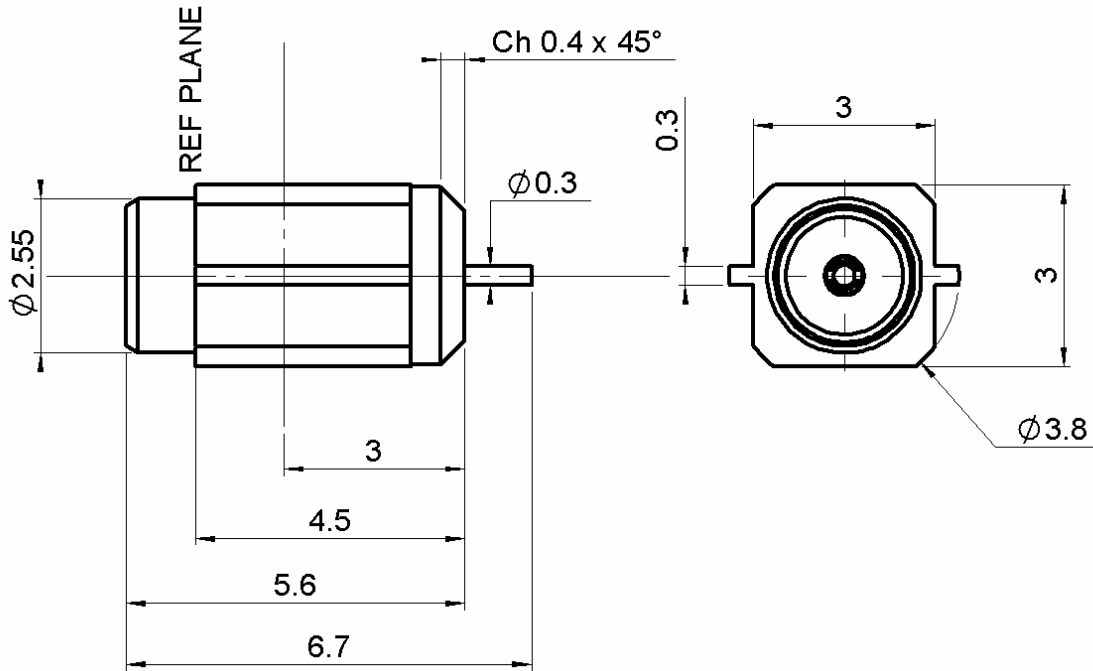


**EDGE-CARD RECEPTACLE**

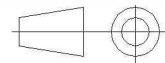
**R199.005.800**

**REEL OF 400**

Series : MC-CARD



All dimensions are in mm.



COMPONENTS	MATERIALS	PLATINGS (µm)
BODY	BRASS	GOLD 0.2 OVER NICKEL 2
CENTER CONTACT	BERYLLIUM COPPER	GOLD 0.8 OVER NICKEL 2
OUTER CONTACT	-	-
INSULATOR	PTFE	-
GASKET	-	-
OTHERS PARTS	-	-
.	.	.
.	.	.

Issue : 1101 F

In the effort to improve our products, we reserve the right to make changes judged to be necessary.



**EDGE-CARD RECEPTACLE**

**R199.005.800**

**REEL OF 400**

Series : MC-CARD

**PACKAGING**

**SPECIFICATION**

Standard	Unit	Other
<b>400</b>	<b>'W' option</b>	<b>Contact us</b>

**ELECTRICAL CHARACTERISTICS**

Impedance	<b>50</b>	$\Omega$
Frequency	<b>0-8</b>	GHz
VSWR	<b>1.15 + 0,0150</b>	x F(GHz) Maxi
Insertion loss	<b>.07</b>	$\sqrt{F}$ (GHz) dB Maxi
RF leakage	- (	- F(GHz)) dB Maxi
Voltage rating	<b>170</b>	Veff Maxi
Dielectric withstanding voltage	<b>500</b>	Veff mini
Insulation resistance	<b>5000</b>	M $\Omega$ mini

**ENVIRONMENTAL**

Operating temperature	<b>-65/+165</b>	$^{\circ}$ C
Hermetic seal	<b>NA</b>	Atm.cm <sup>3</sup> /s
Panel leakage	<b>NA</b>	

**OTHERS CHARACTERISTICS**

Assembly instruction

Others :

**MECHANICAL CHARACTERISTICS**

Center contact retention		
Axial force – Mating end	<b>10</b>	N mini
Axial force – Opposite end	<b>10</b>	N mini
Torque	<b>NA</b>	N.cm mini
Recommended torque		
Mating	<b>NA</b>	N.cm
Panel nut	<b>NA</b>	N.cm
Mating life	<b>5000</b>	Cycles mini
Weight	<b>0,2470</b>	g

Issue : 1101 F

In the effort to improve our products, we reserve the right to make changes judged to be necessary.



**RADIALL**®

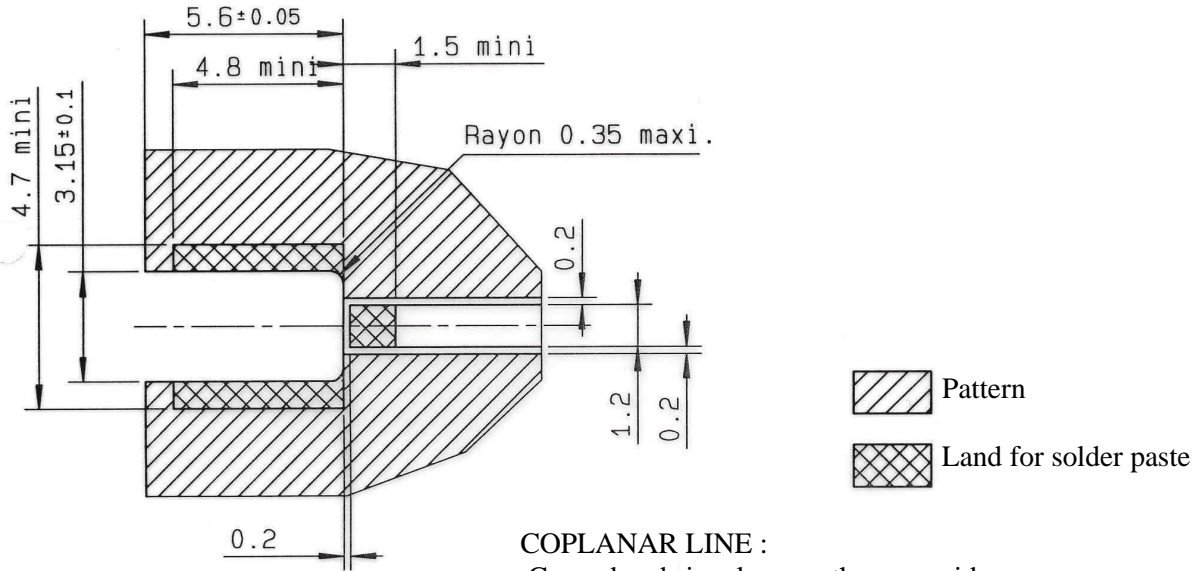
**EDGE-CARD RECEPTACLE**

**R199.005.800**

**REEL OF 400**

Series : MC-CARD

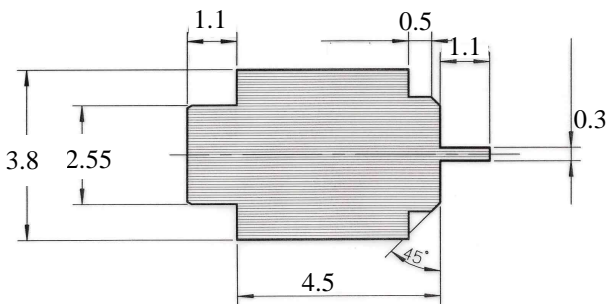
**INFORMATIONS**



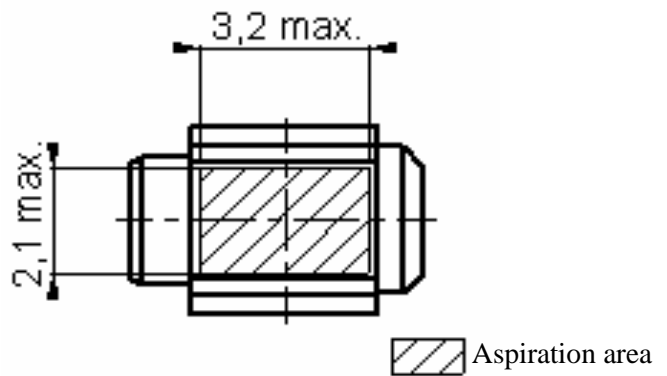
**COPLANAR LINE :**

Ground and signal are on the same side  
 Thickness of PCB : 1 mm  
 The material of PCB is glass-epoxy composi.(Er = 4.8)  
 The solder resist should be printed except for the land pattern on the PCB.

**SHADOW OF RECEPTACLE FOR VIDEO CAMERA**



**ASPIRATION AREA**



Issue : 1101 F

In the effort to improve our products, we reserve the right to make changes judged to be necessary.



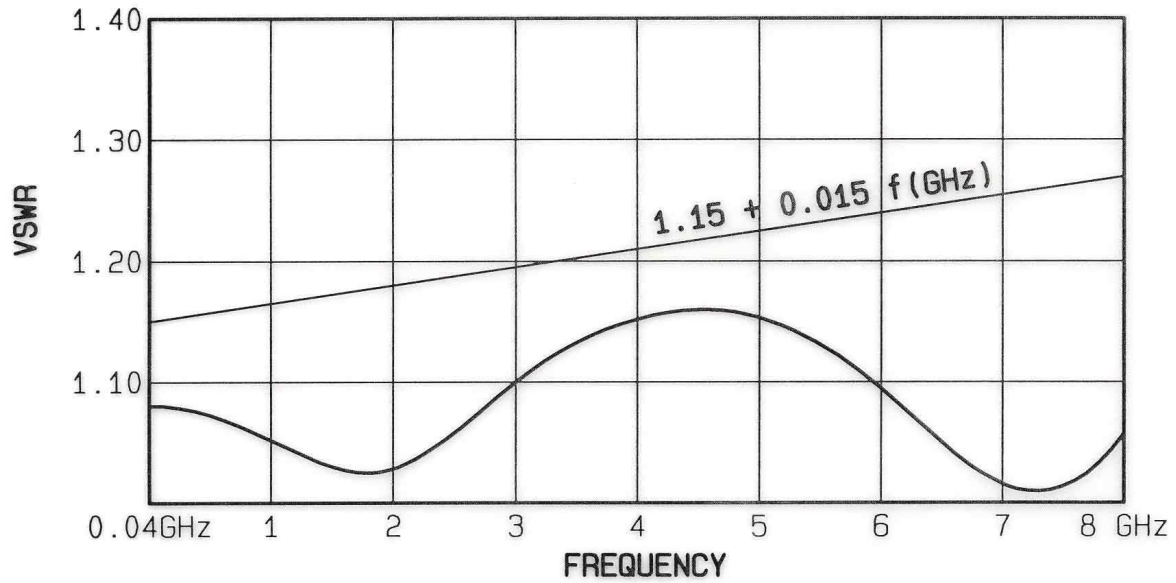
**EDGE-CARD RECEPTACLE**

**R199.005.800**

**REEL OF 400**

Series : MC-CARD

R199 005 504  
 CONNECTED WITH  
 R199 005 200



Issue : 1101 F

In the effort to improve our products, we reserve the right to make changes judged to be necessary.



**EDGE-CARD RECEPTACLE**

**R199.005.800**

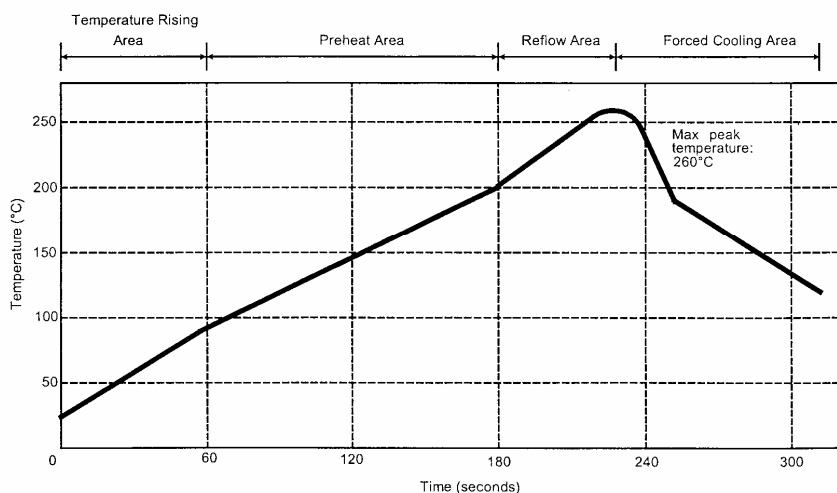
**REEL OF 400**

Series : MC-CARD

**SOLDER PROCEDURE**

1. Deposition of solder paste 'SnAg4Cu0.5' on mounting zone by screen printing application.  
We recommend a low residue flux.  
We advise a thickness of 150 microns ( 5.850 microinch ). Verify that the edges of the zone are clean.
2. Placement of the receptacle on the mounting zone with an automatic machine of 'pick and place' type.  
Video camera is recommended for the positioning of the component. Adhesive agents must not be used on the receptacle.
3. This process of soldering has been tested with convection oven.  
Below please find, the typical profile to use.
4. Cleaning of printed circuit boards.
5. Checking of solder joints and position of the component by visual inspection.

**TEMPERATURE PROFILE**



Parameter	Value	Unit
Temperature rising Area	1 - 4	°C/sec
Max Peak Temperature	260	°C
Max dwell time @260°C	10	sec
Min dwell time @235°C	20	sec
Max dwell time @235°C	60	sec
Temperature drop in cooling Area	-1 to - 4	°C/sec
Max dwell time above 100°C	420	sec

**Issue : 1101 F**

In the effort to improve our products, we reserve the right to make changes judged to be necessary.



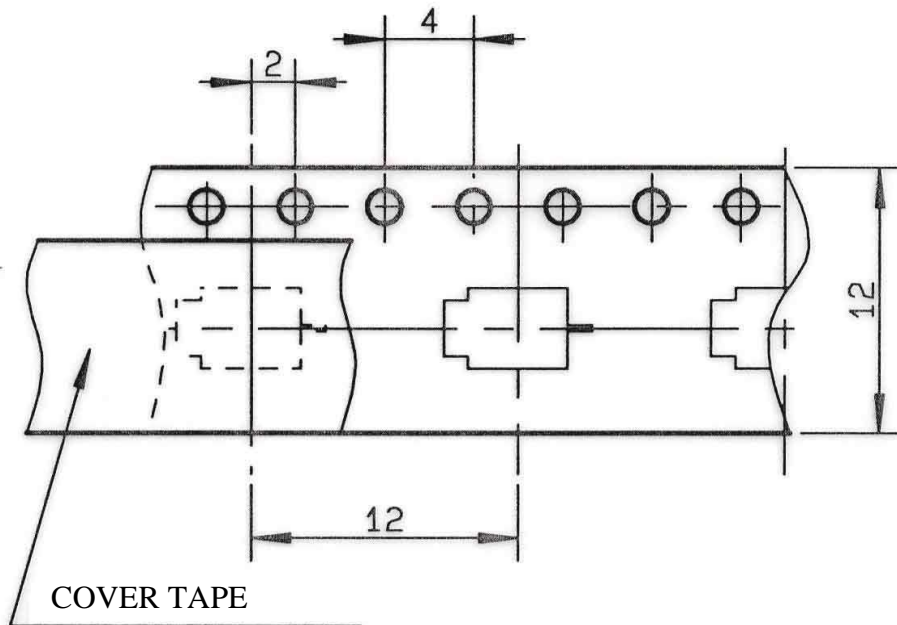
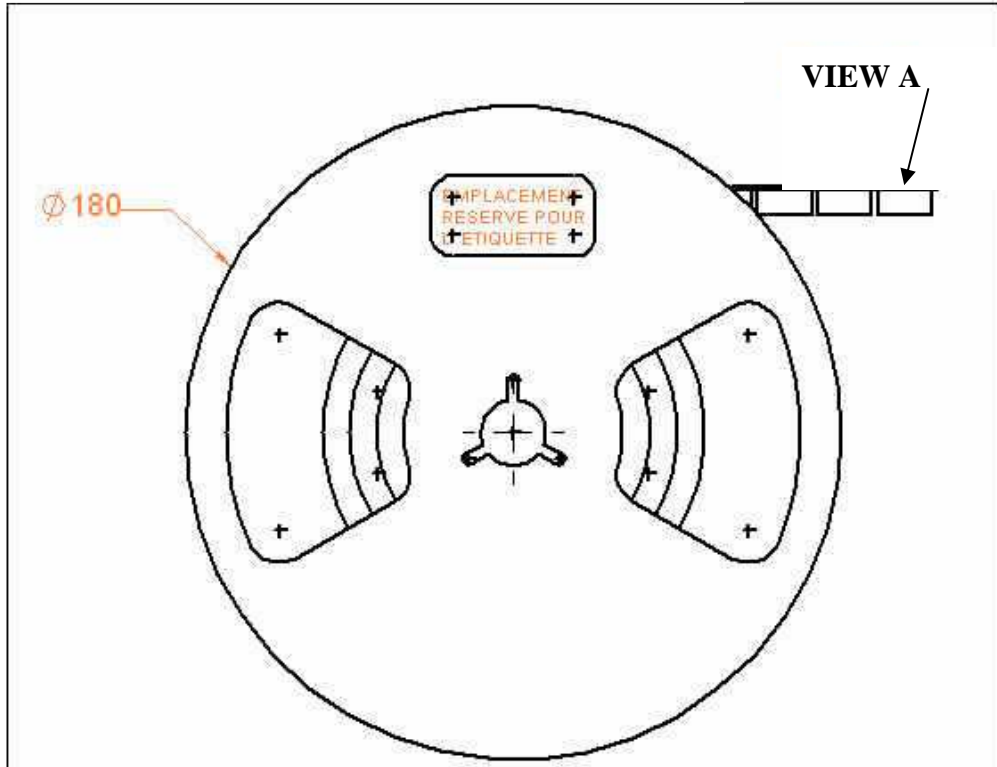
**EDGE-CARD RECEPTACLE**

**R199.005.800**

**REEL OF 400**

Series : MC-CARD

**MC-CARD SERIES INFORMATION**



Issue : 1101 F

In the effort to improve our products, we reserve the right to make changes judged to be necessary.

