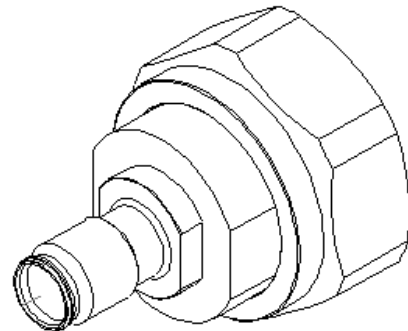
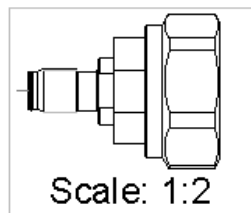
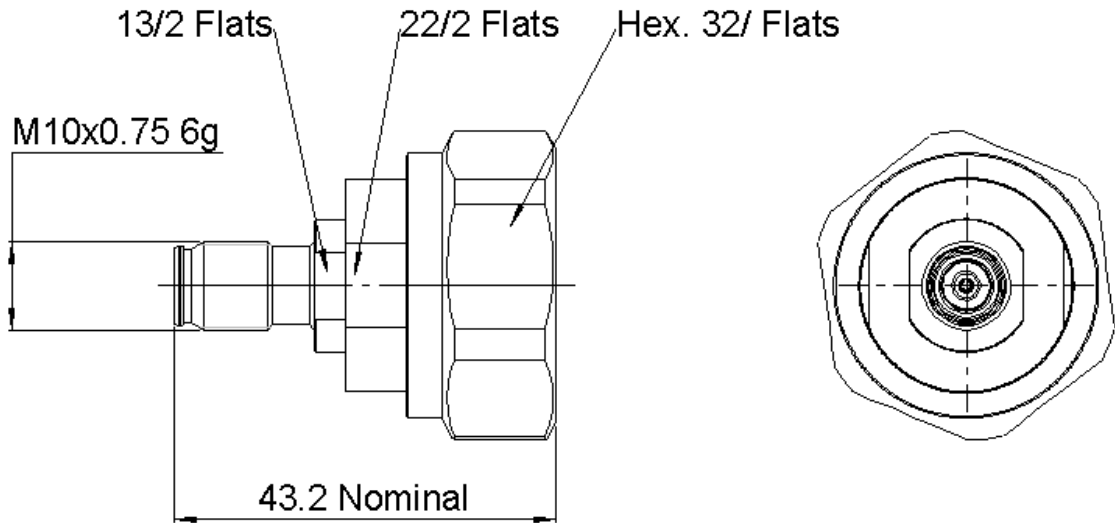
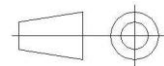


PAGE 1/2	ISSUE 30-11-16A	SERIES ADAPTER	PART NUMBER <b>R191620017</b>
----------	-----------------	-------------------	-------------------------------



All dimensions are in mm.



COMPONENTS	MATERIALS	PLATING (µm)
Body	<b>BRASS</b>	<b>BBR OVER SILVER</b>
Center contact	<b>BERYLLIUM COPPER</b>	<b>SILVER</b>
Outer contact	-	-
Insulator	<b>PTFE</b>	
Gasket	-	
Others parts	<b>BRASS</b>	<b>BBR</b>
-	-	-
-	-	-

PAGE <b>2/2</b>	ISSUE <b>30-11-16A</b>	SERIES <b>ADAPTER</b>	<b>PART NUMBER R191620017</b>
-----------------	------------------------	--------------------------	-------------------------------

PACKAGING

Standard	Unit	Other
<b>1</b>	<b>Contact us</b>	<b>Contact us</b>

ELECTRICAL CHARACTERISTICS

Impedance	<b>50</b>		Ω
Frequency	<b>0-6</b>		GHz
VSWR	<b>* + 0.0000</b>		x F(GHz) Maxi
Insertion loss	<b>**</b>		√F(GHz) dB Maxi
RF leakage	<b>- ( NA</b>		- F(GHz) dB Maxi
Voltage rating	<b>500</b>		Veff Maxi
Dielectric withstanding voltage	<b>1500</b>		Veff mini
Insulation resistance	<b>5000</b>		MΩ mini

MECHANICAL CHARACTERISTICS

Center contact retention			
Axial force – Mating End	<b>27</b>		N mini
Axial force – Opposite end	<b>27</b>		N mini
Torque	<b>NA</b>		N.cm mini
Recommended torque			
Mating	<b>NEX10</b>	<b>NA</b>	N.cm
	<b>7/16</b>	<b>NA</b>	N.cm
		<b>NA</b>	N.cm
Panel nut		<b>NA</b>	N.cm
Mating life	<b>100</b>		Cycles mini
Weight	<b>99.6700</b>		g

ENVIRONMENTAL

Operating	<b>-55~+125</b>	°C
Hermetic seal	<b>NA</b>	Atm.cm3/s
Panel leakage	<b>NA</b>	

SPECIFICATION

OTHER CHARACTERISTICS

\*.0~3GHz VSWR≤1.05, 3~6GHz VSWR≤1.15

\*\*..0~6GHz IL≤0.12dB

PIM3≤-125dBm under 2 carriers of 43dBm @1800MHz