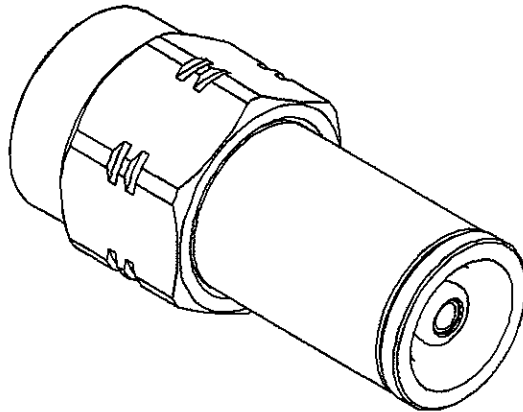
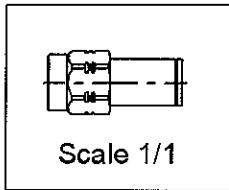
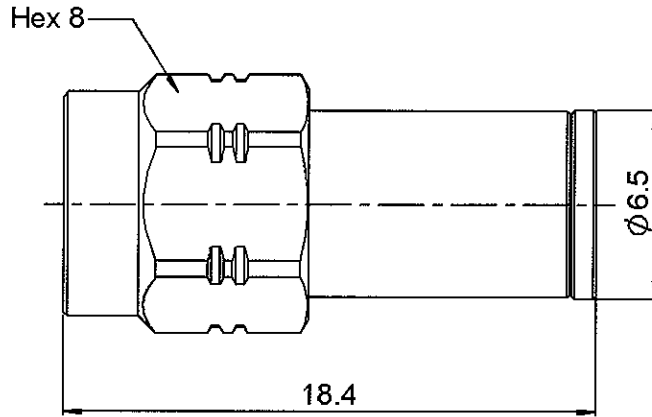


SMA MALE - MMBX FEMALE STRAIGHT ADAPTER

R191.389.300

Serie : ADAPT



All dimensions are in mm.



COMPONENTS	MATERIALS	PLATING (µm)
BODY	BRASS	GOLD 0.2 OVER NICKEL 2
CENTER CONTACT	BERYLLIUM COPPER	GOLD 1:3 OVER NICKEL 2
OUTER CONTACT	BRASS	NPCR
INSULATOR	LIQUID CRISTAL POLYMER ,PTFE	
GASKET	SILICONE RUBBER	
OTHERS PARTS	BRASS	GOLD 0.2 OVER NICKEL 2
-	-	
-	-	

Issue : 0706 A

In the effort to improve our products, we reserve the rights to make changes judged to be necessary.



SMA MALE - MMBX FEMALE STRAIGHT ADAPTER

R191.389.300

Serie : ADAPT

PACKAGING

SPECIFICATION

Standard 1 Unit Other Contact us

ELECTRICAL CHARACTERISTICS

ENVIRONMENTAL

Impedance **50** Ω
 Frequency **0-12.4** GHz
 VSWR **1.083*** + **0.0000** x F(GHz) Maxi
 Insertion loss **0.12** √F(GHz) dB Maxi
 RF leakage - (**100**** - F(GHz)) dB Maxi
 Voltage rating **330** Veff Maxi
 Dielectric withstanding voltage **500** Veff mini
 Insulation resistance **1000** MΩ mini

Operating **-55/+155** ° C
 Hermetic seal **NA** Atm.cm3/s
 Panel leakage **NA**

OTHER CHARACTERISTICS

MECHANICAL CHARACTERISTICS

*to 6 GHz
 **Interface MMBX only up to 2.5GHz

Center contact retention
 Axial force – Mating end **10** N mini
 Axial force – Opposite end **10** N mini
 Torque **NA** N.cm mini

Recommended torque
 Mating **SMA-COM** **NA** N.cm
 MMBX **NA** N.cm
 N.cm
 Panel nut **NA** N.cm

Mating life **500** Cycles mini
 Weight **3.6510** g

Issue : 0706 A

In the effort to improve our products, we reserve the rights to make changes judged to be necessary.



PRELIMINARY