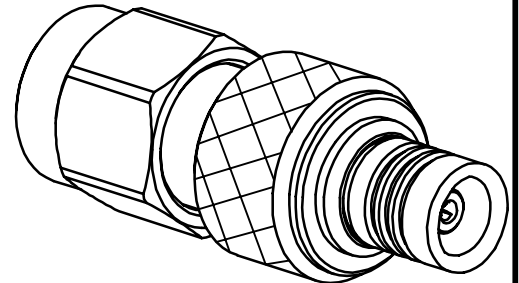
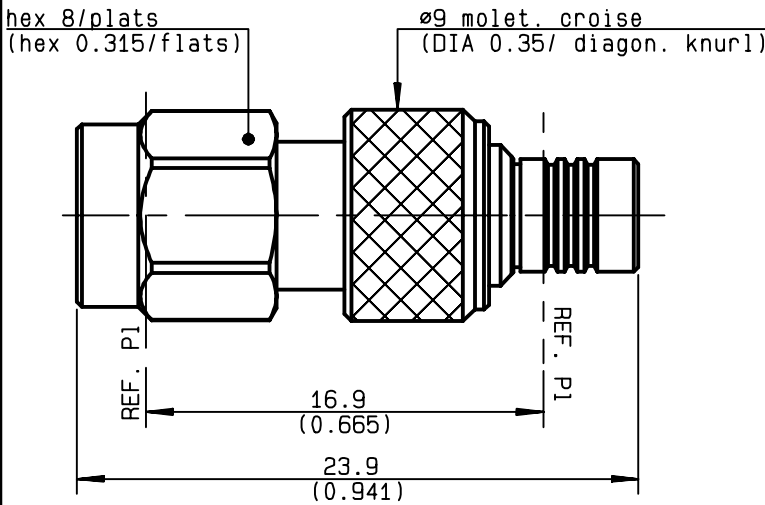


**SMA MALE - MCX FEMALE STRAIGHT ADAPTER**

**R191.386.000**  
**SERIES ADAPT**



|                                 |                                     |
|---------------------------------|-------------------------------------|
| NOMINAL IMPEDANCE               | <b>50</b> Ω                         |
| FREQUENCY RANGE                 | <b>0-6</b> GHz                      |
| TEMPERATURE RATING              | <b>-55/+155</b> °C                  |
| V.S.W.R                         | <b>1.20</b> + <b>0</b> x F(GHz)Maxi |
| RF INSERTION LOSS               | <b>0.25</b> √F(GHz) dB Maxi         |
| VOLTAGE RATING                  | <b>500</b> Veff Maxi                |
| DIELECTRIC WITHSTANDING VOLTAGE | <b>1000</b> Veff Mini               |
| INSULATION RESISTANCE           | <b>1000</b> MΩMini                  |
| HERMETIC SEAL                   | <b>NA</b> Atm.cm <sup>3</sup> /s    |
| LEAKAGE (pressurized only)      | <b>NA</b>                           |
| MECHANICAL DURABILITY           | <b>500</b> Cycles                   |
| WEIGHT                          | <b>5.55</b> gr                      |
| SPECIFICATION                   |                                     |

CABLES :

OTHERS CHARACTERISTICS

**\* 1.10 at 3GHz - 1.20 at 6GHz**

|                            |                     |
|----------------------------|---------------------|
| CABLE RETENTION            | N Mini              |
| CENTER CONTACT RETENTION   |                     |
| Axial force - mating end   | <b>10</b> N Mini    |
| Axial force - opposite end | <b>10</b> N Mini    |
| Torque                     | <b>NA</b> cm.N Mini |
| RECOMMENDED TORQUES        |                     |
| Mating                     | <b>100</b> cm.N     |
| Panel nut                  | <b>NA</b> cm.N      |
| Clamp nut                  | <b>NA</b> cm.N      |

| CONNECTOR PARTS | MATERIALS        | FINISH                 |
|-----------------|------------------|------------------------|
| BODY            | STAINLESS STEEL  | GOLD 0.5 OVER NICKEL 2 |
| OUTER CONTACT   | BRASS            | GOLD 0.5 OVER NICKEL 2 |
| CENTER CONTACT  | BERYLLIUM COPPER | GOLD 1.3 OVER NICKEL 2 |
| INSULATOR       | PTFE             | -                      |
| GASKET          | SILICONE RUBBER  | -                      |
| OTHERS PIECES   | STAINLESS STEEL  | GOLD 0.2 OVER NICKEL 2 |

(all values are given in micrometers)

|                |                   |                    |
|----------------|-------------------|--------------------|
| ISSUE          | CREATION DATE     | FILE PART-NUMBER   |
| <b>0204A00</b> | <b>12/06/1998</b> | <b>96-1200-112</b> |



**RADIALL®**

*Connect to the future*

The information given here is subject to change without notice.  
 Design changes may be in order to improve the product .

LELEU