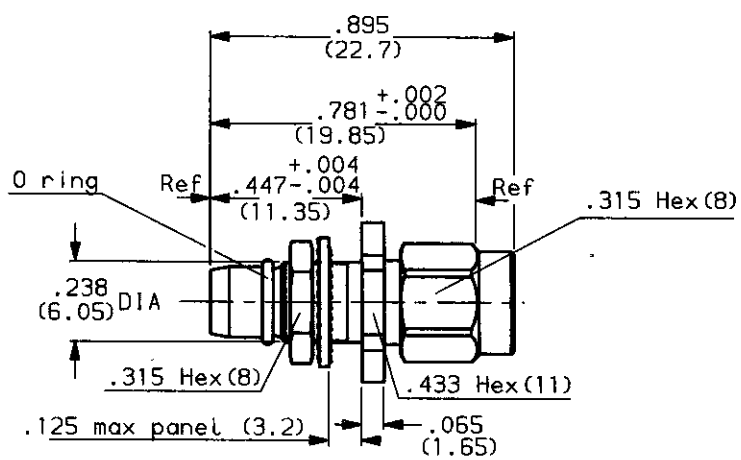
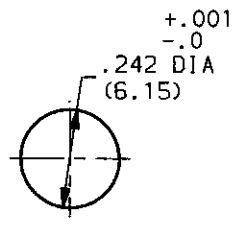


ADAPTER BMA PLUG - SMA PLUG
BULKHEAD MOUNT



MOUNTING HOLE



2.5

WEIGHT 0 oz (..... g)

CABLES : -

CHARACTERISTICS

NOMINAL IMPEDANCE	50 Ω	STANDARDISATION	-
FREQUENCY RANGE	0 - 18 GHz		-
TEMPERATURE RATING	-65 / +125 °C		-
VSWR	1.05+ .005fGHz Max		-
RF INSERTION LOSS	- dB Max	CABLE RETENTION	0 Lb Max NA N Max
VOLTAGE RATING	350 Vrms	CENTER CONTACT RETENTION	
DIELECTRIC WITHSTANDING VOLTAGE	1000 Vrms	Axial force - mating end	6.075 Lb Max 27 N Max
INSULATION RESISTANCE	5000 MΩ	Axial force - opposite end	6.075 Lb Max 27 N Max
HERMETIC SEAL	- cc/s cm3/s	Torque (Max)	- inch.oz cm.N
LEAKAGE (pressurized only)	- psi kg/cm2	MATING TORQUE RECOMMENDED	- inch. Lb cm.N
-	-		-
-	-		-

CONSTRUCTION

CONNECTOR PARTS	MATERIALS	FINISH
Body	Stainless steel	Passivated
Outer contact	Stainless steel	Passivated
Center contact	Brass	Gold over nickel
Insulators	PTFE	-
-	-	-
-	-	-
-	-	-
-	-	-
-	-	-

ISSUE	REVISION No	DESCRIPTION	BY	DATE
.
.
.
.

Initiated on 18 04 89

Superseded on

The information given here is subject to change without notice. Design changes may be in order to improve the product.

