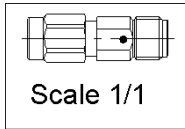
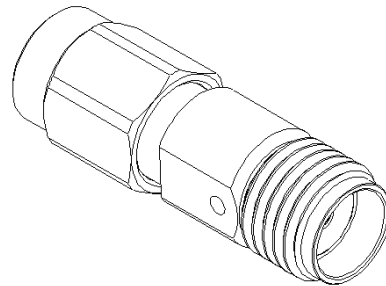
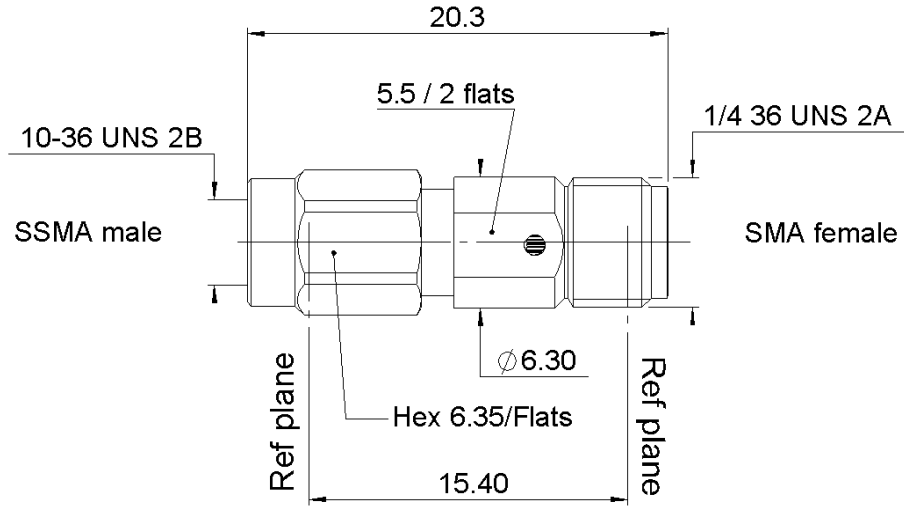
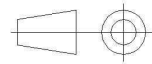


| | | | |
|----------|-------------|----------------|-------------------------------|
| PAGE 1/2 | ISSUE 1338A | SERIES ADAPT-S | PART NUMBER R191348000 |
|----------|-------------|----------------|-------------------------------|



All dimensions are in mm.



| COMPONENTS | MATERIALS | PLATING (μm) |
|----------------|-------------------------|---------------------------|
| Body | BERYLLIUM COPPER | GOLD OVER NICKEL |
| Center contact | BERYLLIUM COPPER | GOLD OVER NICKEL |
| Outer contact | - | - |
| Insulator | PTFE | - |
| Gasket | SILICONE RUBBER | - |
| Others parts | STAINLESS STEEL | PASSIVATED. |
| - | - | - |
| - | - | - |

| | | | |
|----------|-------------|----------------|------------------------|
| PAGE 2/2 | ISSUE 1338A | SERIES ADAPT-S | PART NUMBER R191348000 |
|----------|-------------|----------------|------------------------|

PACKAGING

| Standard | Unit | Other |
|----------|------------|------------|
| 1 | Contact us | Contact us |

ELECTRICAL CHARACTERISTICS

| | | | |
|---------------------------------|-------------|-------------|-----------------------------|
| Impedance | | 50 | Ω |
| Frequency | | 0-18 | GHz |
| VSWR | 1.06 | + | 0.0150 x F(GHz) Maxi |
| Insertion loss | | 0.05 | \sqrt{F} (GHz) dB Maxi |
| RF leakage | - (| 90 | - F(GHz) dB Maxi |
| Voltage rating | | 250 | Veff Maxi |
| Dielectric withstanding voltage | | 750 | Veff mini |
| Insulation resistance | | 5000 | M Ω mini |

ENVIRONMENTAL

| | | |
|---------------|-----------------|--------------------|
| Operating | -65/+105 | $^{\circ}\text{C}$ |
| Hermetic seal | NA | Atm,cm3/s |
| Panel leakage | | |

MECHANICAL CHARACTERISTICS

| | | | |
|----------------------------|--|-----------|-----------|
| Center contact retention | | | |
| Axial force – Mating End | | 22 | N mini |
| Axial force – Opposite end | | 22 | N mini |
| Torque | | NA | N.cm mini |

SPECIFICATION

| | | | |
|--------------------|--|------------|------|
| Recommended torque | | | |
| Mating | | 110 | N.cm |
| | | 0 | N.cm |
| | | 0 | N.cm |
| Panel nut | | NA | N.cm |

OTHER CHARACTERISTICS

| | | |
|-------------|---------------|-------------|
| Mating life | 500 | Cycles mini |
| Weight | 3.2570 | g |