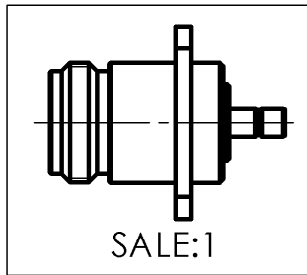
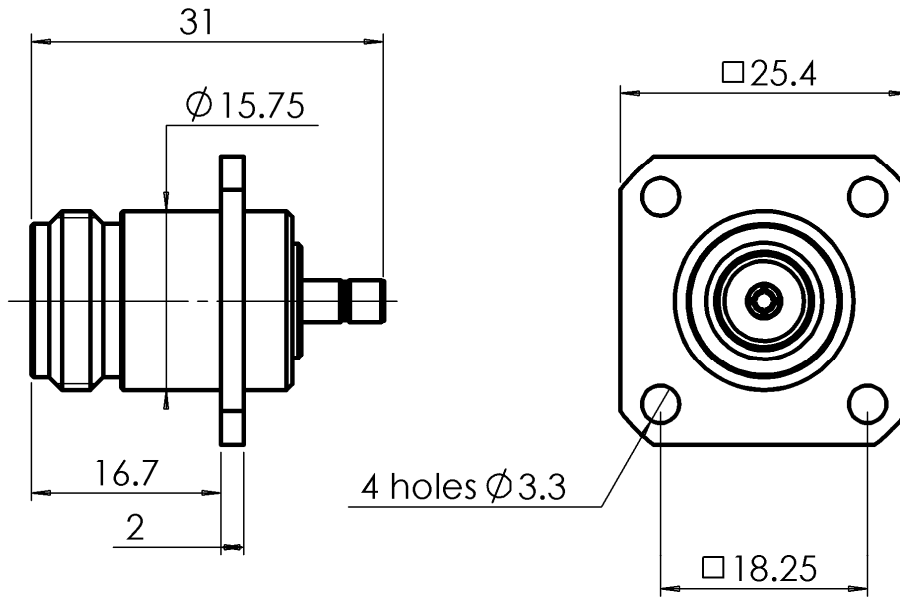


SMB MALE SQUARE FLANGE
- N FEMALE SQUARE FLANGE ADAPTER

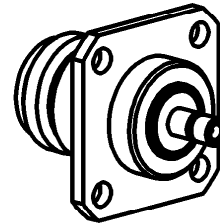
R191.236.000

Série : ADAPT

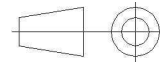


PANEL CUT OUT

	mm	
	Maxi	mini
A	16.3	16.1
B	3.3	3.2
C	18.35	18.15



All dimensions are in mm.



COMPONENTS	MATERIALS	PLATING (µm)
BODY	Brass	NICKEL 2
CENTER CONTACT	BERYLLIUM COPPER	OR 1.3 SUR NICKEL 2
OUTER CONTACT	Brass	NICKEL 2
INSULATOR	PTFE	
GASKET	-	-
OTHERS PARTS	-	-
-	-	-
-	-	-

Issue : 0925 C

In the effort to improve our products, we reserve the rights to make changes judged to be necessary.



**SMB MALE SQUARE FLANGE
- N FEMALE SQUARE FLANGE ADAPTER**

R191.236.000

Série : ADAPT

PACKAGING

Standard	Unit	Other
1		Contact us

SPECIFICATION

ELECTRICAL CHARACTERISTICS

Impedance	50	Ω
Frequency	0-4	GHz
VSWR	1.15 + 0,0000	x F(GHz) Maxi
Insertion loss	0.15	$\sqrt{F(GHz)}$ dB Maxi
RF leakage	- (- F(GHz)) dB Maxi
Voltage rating	300	Veff Maxi
Dielectric withstanding voltage	1000	Veff mini
Insulation resistance	1000	M Ω mini

ENVIRONMENTAL

Operating	-55/+155	$^{\circ}$ C
Hermetic seal	NA	Atm.cm3/s
Panel leakage	NA	

OTHER CHARACTERISTICS

USABLE UNTIL 6GHz
1.45 VSWR @ 6 Ghz
0.15 I.L @ 6 Ghz

MECHANICAL CHARACTERISTICS

Center contact retention		
Axial force – Mating end	27	N mini
Axial force – Opposite end	27	N mini
Torque	NA	N.cm mini
Recommended torque		
Mating	N	0 N.cm
	SMB	0 N.cm
	-	0 N.cm
Panel nut	NA	N.cm
Mating life	500	Cycles mini
Weight	27,0000	g

Issue : 0925 C

In the effort to improve our products, we reserve the rights to make changes judged to be necessary.

