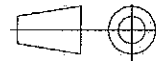
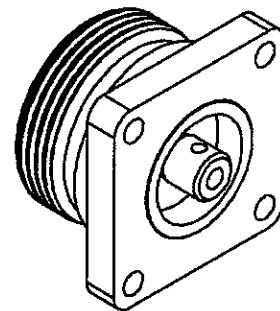
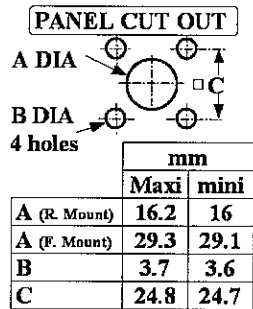
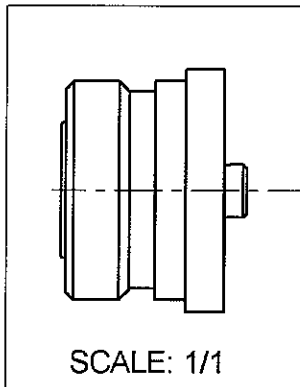
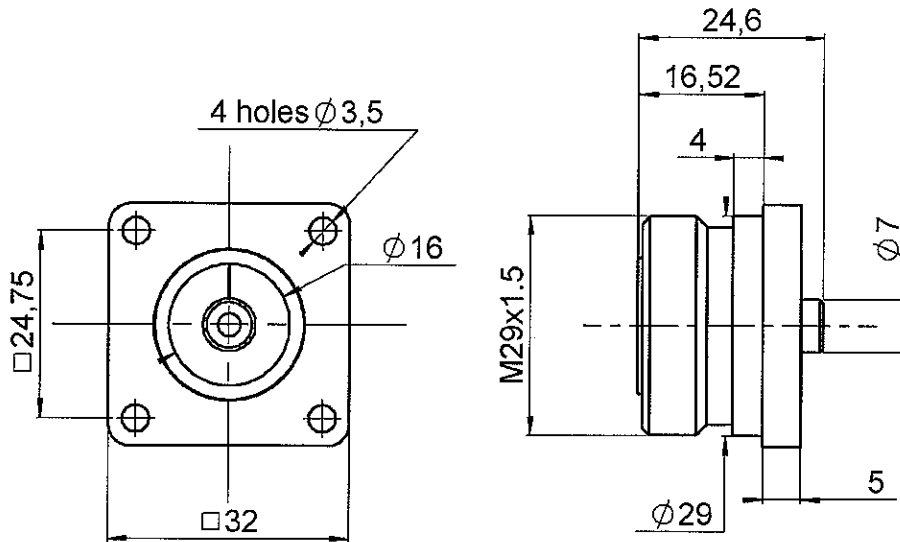


**SQUARE FLANGE JACK RECEPTACLE
WITH SOLDER POT CONTACT**

R185.403.547

Series : 7-16



All dimensions are in mm.

COMPONENTS	MATERIALS	PLATINGS (µm)
BODY	BRASS	BBR 2
CENTER CONTACT	BRONZE	SILVER 5 OVER COPPER 0.5
OUTER CONTACT	BRASS	BBR 0.5 OVER SILVER 5
INSULATOR	PTFE	
GASKET	-	
OTHERS PARTS	-	
-	-	
-	-	

Issue : 0616 C

In the effort to improve our products, we reserve the right to make changes judged to be necessary.



SQUARE FLANGE JACK RECEPTACLE

R185.403.547

WITH SOLDER POT CONTACT

Series : 7-16

PACKAGING

Standard	Unit	Other
20	'W' option	Contact us

SPECIFICATION

ELECTRICAL CHARACTERISTICS

ENVIRONMENTAL

Impedance	50	Ω
Frequency	0-6	GHz
VSWR	1.15 + 0,0000	x F(GHz) Maxi
Insertion loss	0.03	√F(GHz) dB Maxi
RF leakage	-(NA	- F(GHz)) dB Maxi
Voltage rating	1400	Veff Maxi
Dielectric withstanding voltage	4000	Veff mini
Insulation resistance	10000	MΩ mini

Operating temperature	-55/+120	° C
Hermetic seal	NA	Atm.cm3/s
Panel leakage	NA	

OTHERS CHARACTERISTICS

Assembly instruction

Others :

MECHANICAL CHARACTERISTICS

Center contact retention		
Axial force – Mating end	200	N mini
Axial force – Opposite end	NA	N mini
Torque	30	N.cm mini
Recommended torque		
Mating	NA	N.cm
Panel nut	NA	N.cm
Mating life	500	Cycles mini
Weight	84,9800	g

Issue : 0616 C

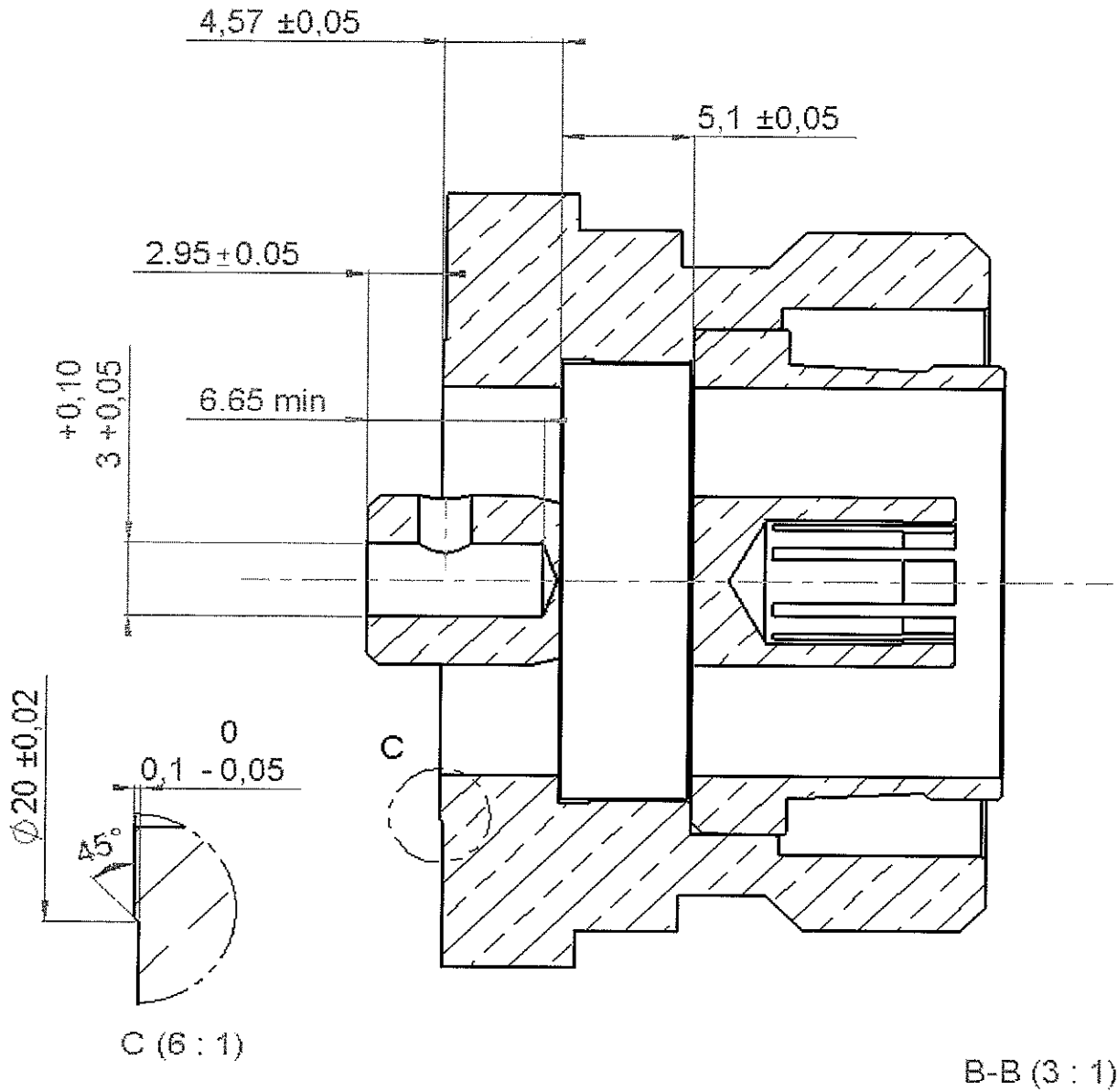
In the effort to improve our products, we reserve the right to make changes judged to be necessary.



**SQUARE FLANGE JACK RECEPTACLE
WITH SOLDER POT CONTACT**

R185.403.547

Series : 7-16



Issue : 0616 C

In the effort to improve our products, we reserve the right to make changes judged to be necessary.

