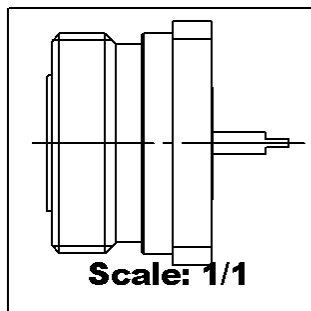
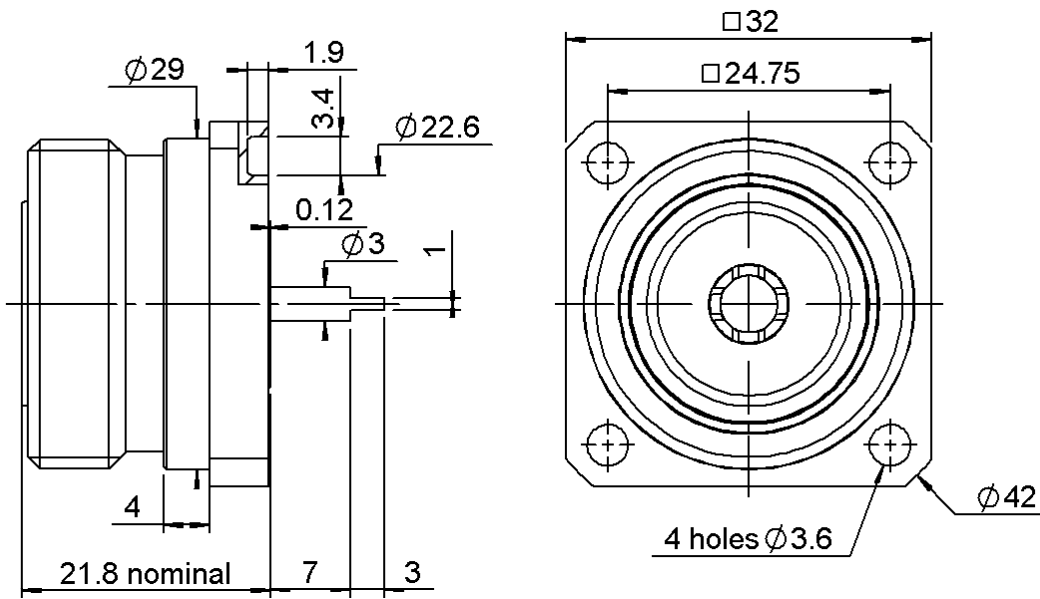


**SQUARE FLANGE JACK RECEPTACLE
WITH TAB CONTACT**

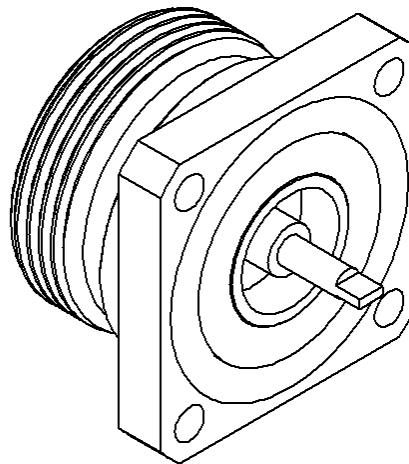
R185.403.490

Series : 7/16

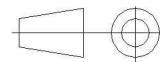


PANEL CUT OUT

	mm	
	Maxi	mini
A	12.3	12.1
B	3.8	3.7
C	24.8	24.7



All dimensions are in mm.



COMPONENTS	MATERIALS	PLATING (µm)
BODY	BRASS	BBR 0.5 OVER SILVER 3
CENTER CONTACT	BRONZE	SILVER 5 PASSIVATED OVER COPPER 0.5
OUTER CONTACT	BRASS	SILVER 5 PASSIVATED OVER COPPER 0.5
INSULATOR	PTFE	
GASKET		
OTHERS PARTS		
-	-	-
-	-	-

Issue : 0938 A

In the effort to improve our products, we reserve the right to make changes judged to be necessary.



**SQUARE FLANGE JACK RECEPTACLE
WITH TAB CONTACT**

R185.403.490

Series : 7/16

PACKAGING

SPECIFICATION

Standard	Unit	Other
20	'W' option	Contact us

ELECTRICAL CHARACTERISTICS

ENVIRONMENTAL

Impedance	50	Ω
Frequency	0-7.5	GHz
VSWR	**1.3 + 0.0000	x F(GHz) Maxi
Insertion loss	*0.05	\sqrt{F} (GHz) dB Maxi
RF leakage	- (NA)	- F(GHz)) dB Maxi
Voltage rating	1400	Veff Maxi
Dielectric withstanding voltage	4000	Veff mini
Insulation resistance	10000	M Ω mini

Operating temperature	-55/+120	$^{\circ}$ C
Hermetic seal	NA	Atm.cm3/s
Panel leakage	NA	

OTHER CHARACTERISTICS

Assembly instruction **NA**

Others :

**Interface only(VSWR 4-7.5)
VSWR(0-4GHz) :1.02+0.02F(GHz)max
*Insertion loss(0-4GHz)

MECHANICAL CHARACTERISTICS

Center contact retention		
Axial force – Mating end	200	N mini
Axial force – Opposite end	40	N mini
Torque	25	N.cm mini
Recommended torque		
Mating	NA	N.cm
Panel nut	NA	N.cm
Mating life	500	Cycles mini
Weight	83.5680	g

Issue : 0938 A

In the effort to improve our products, we reserve the right to make changes judged to be necessary.

