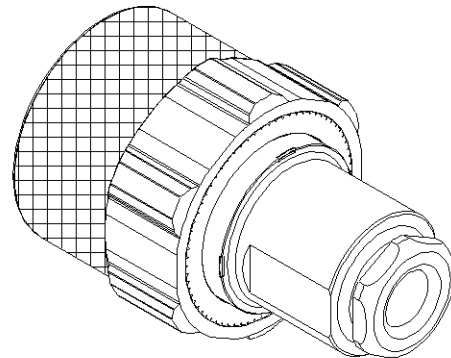
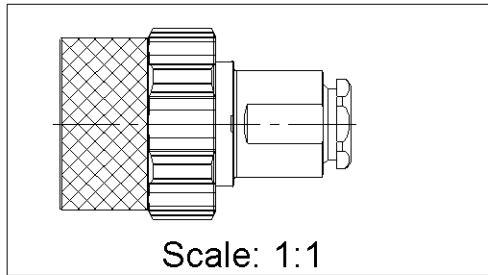
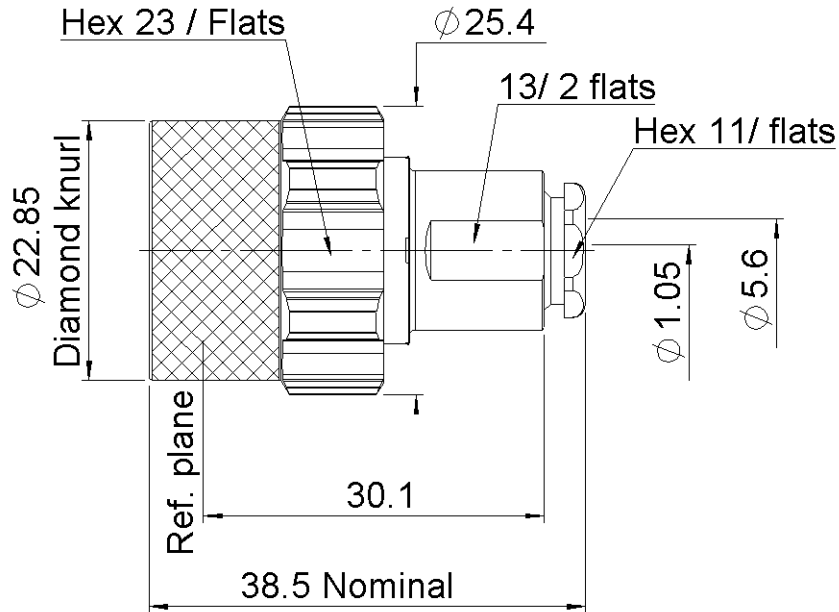
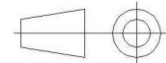


PAGE 1/2	ISSUE 1416C	SERIES QLI	PART NUMBER <b>R184006007</b>
----------	-------------	------------	-------------------------------



All dimensions are in mm.



COMPONENTS	MATERIALS	PLATING (µm)
Body	<b>BRASS</b>	<b>BBR</b>
Center contact	<b>BRONZE, BRASS</b>	<b>SILVER</b>
Outer contact		
Insulator	<b>PTFE</b>	
Gasket	<b>SILICONE RUBBER</b>	
Others parts	<b>BRASS</b>	<b>BBR</b>
-	-	-
-	-	-

PAGE <b>2/2</b>	ISSUE <b>1416C</b>	SERIES <b>QLI</b>	PART NUMBER <b>R184006007</b>
-----------------	--------------------	-------------------	-------------------------------

PACKAGING

Standard	Unit	Other
<b>50</b>	<b>Contact us</b>	<b>Contact us</b>

ELECTRICAL CHARACTERISTICS

Impedance	<b>50</b>	$\Omega$
Frequency	<b>0-6</b>	GHz
VSWR	<b>1.04 + 0.0200</b>	x F(GHz) Maxi
Insertion loss	<b>0.05</b>	$\sqrt{F}$ (GHz) dB Maxi
RF leakage	- ( <b>NA</b> )	- F(GHz)) dB Maxi
Voltage rating	<b>850</b>	Veff Maxi
Dielectric withstanding voltage	<b>1500</b>	Veff mini
Insulation resistance	<b>5000</b>	M $\Omega$ mini

MECHANICAL CHARACTERISTICS

Center contact retention			
Axial force – Mating End	<b>50</b>	N mini	
Axial force – Opposite end	<b>30</b>	N mini	
Torque	<b>NA</b>	N.cm mini	
Recommended torque			
Mating	<b>NA</b>	N.cm	
Panel nut	<b>NA</b>	N.cm	
Clamp nut	<b>450</b>	N.cm	
A/F clamp nut	<b>11.0000</b>	mm	
Mating life	<b>100</b>	Cycles mini	
Weight	<b>56.1590</b>	g	

ENVIRONMENTAL

Operating temperature	<b>-55~+120</b>	$^{\circ}\text{C}$
Hermetic seal	<b>NA</b>	Atm.cm3/s
Panel leakage	<b>NA</b>	

SPECIFICATION

CABLE ASSEMBLY

Stripping	a	b	c	d	e	f
mm	<b>5</b>	<b>7</b>	<b>0</b>	<b>0</b>	<b>1.5</b>	<b>0</b>

Assembly instruction: **Clamp 02**

Recommended cable(s)

- KX 15**
- KX 23**
- RG 58**
- RG 141**
- RG 142**
- RG 142 FTX**
- RG 223**
- RG 400**

Characteristics indicated on this data sheet are those that can be achieved with the highest performance cable. Intrinsic limitations of the cable may diminish the performance of the assembly

Cable retention

- pull off	<b>150</b>	N mini
- torque	<b>NA</b>	N.cm

TOOLING

Part Number	Description	Hexagon
.	.	.

OTHER CHARACTERISTICS

**IP67 mated condition**