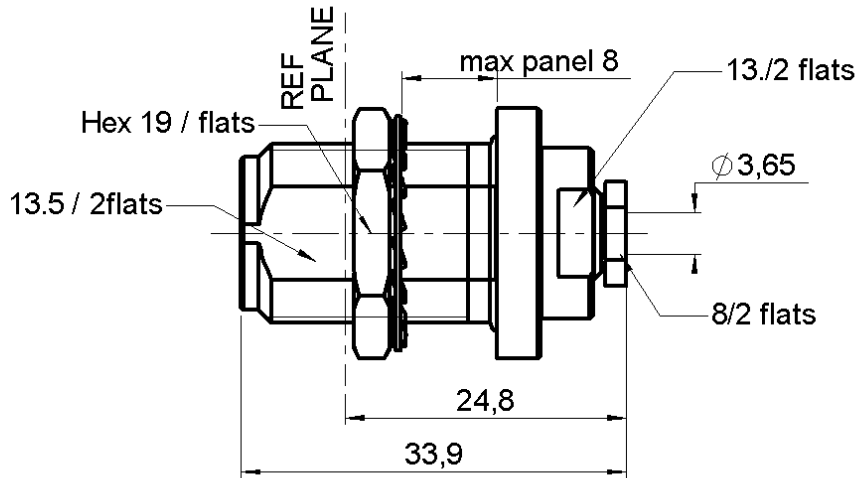


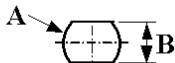
STRAIGHT BULKHEAD JACK PANEL SEAL
REAR MOUNT SOLDER TYPE - CABLE .141

R163.337.001

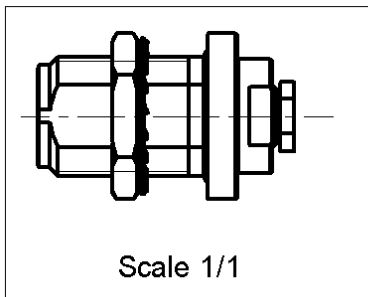
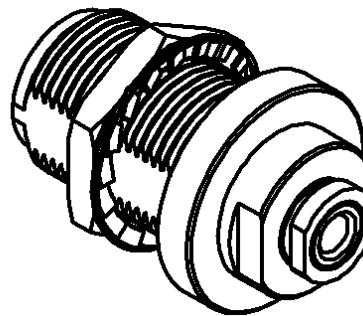
Series : N-18



PANEL CUT OUT



mm		
	Maxi	mini
A	16	15.9
B	13.7	13.6



All dimensions are in mm.



COMPONENTS	MATERIALS	PLATINGS (µm)
BODY	STAINLESS STEEL	PASSIVATED .
CENTER CONTACT	BERYLLIUM COPPER	GOLD 1.3 OVER NICKEL 2
OUTER CONTACT	-	-
INSULATOR	PTFE,ULTEM	-
GASKET	-	-
OTHERS PARTS	-	-
-	-	-
-	-	-

Issue : 0048 B

In the effort to improve our products, we reserve the right to make changes judged to be necessary.



STRAIGHT BULKHEAD JACK PANEL SEAL

R163.337.001

REAR MOUNT SOLDER TYPE - CABLE .141

Series : N-18

PACKAGING

Standard	Unit	Other
1	'W' option	Contact us

SPECIFICATION

ELECTRICAL CHARACTERISTICS

Impedance		50	Ω
Frequency		0-18	GHz
VSWR	1.05 +	0.007	x F(GHz) Maxi
Insertion loss		0.1	\sqrt{F} (GHz) dB Maxi
RF leakage	- (92	- F(GHz)) dB Maxi
Voltage rating		500	Veff Maxi
Dielectric withstanding voltage		1500	Veff mini
Insulation resistance		5000	M Ω mini

CABLE ASSEMBLY

Stripping	a	b	c	d	e	f
mm	3.17	0.00	0.00	0.00	0.00	0.00

Assembly instruction :

Recommended cable(s)
RG 402
KS 2

Cable retention

- pull off	272	N mini
- torque	40	N.cm

MECHANICAL CHARACTERISTICS

Center contact retention		
Axial force – Mating end	27	N mini
Axial force – Opposite end	27	N mini
Torque	NA	N.cm mini

TOOLING

Part Number	Description	Hexagon
.	.	.

Recommended torque		
Mating	NA	N.cm
Panel nut	500	N.cm
Clamp nut	200	N.cm
A/F clamp nut	8.000	mm

Mating life	500	Cycles mini
Weight	42.900	g

OTHERS CHARACTERISTICS

-

ENVIRONMENTAL

Operating temperature	-40/+125	$^{\circ}$ C
Hermetic seal	NA	Atm.cm3/s
Panel leakage	.0044	

Issue : 0048 B

In the effort to improve our products, we reserve the right to make changes judged to be necessary.

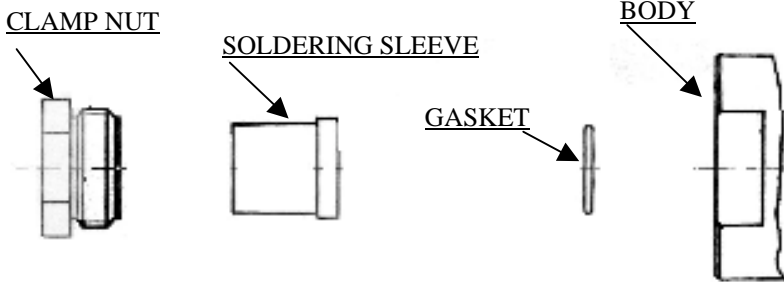


STRAIGHT BULKHEAD JACK PANEL SEAL
REAR MOUNT SOLDER TYPE - CABLE .141

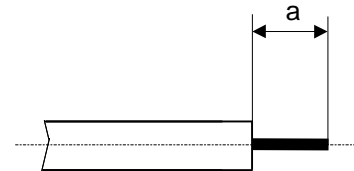
R163.337.001

Series : N-18

COMPONENTS

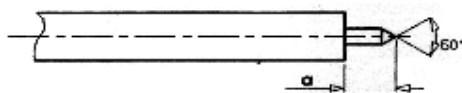


STRIPPING DIMENSIONS



1

Strip the centre conductor and stim it



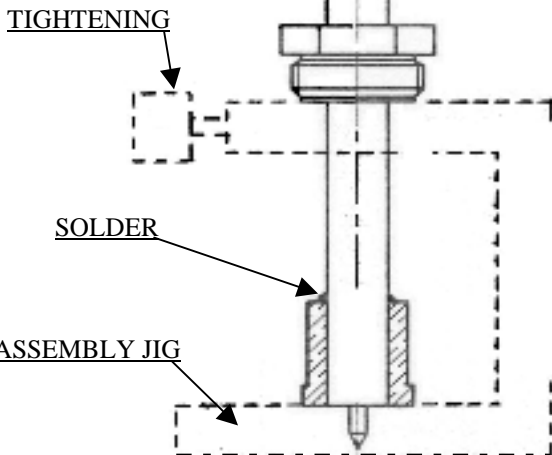
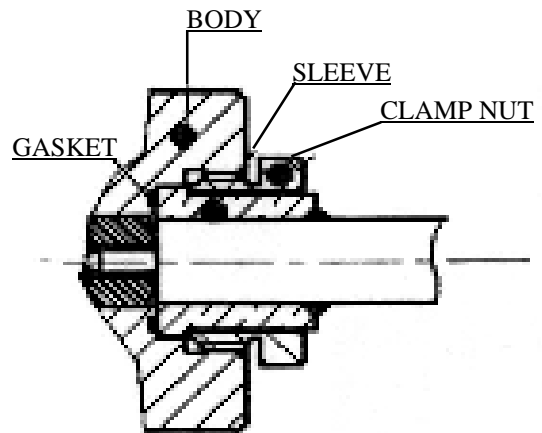
2

- Slide soldering sleeve on the cable .
- Slide soldering sleeve on the cable and get the cable against assembly jig, tighten the cable.
- Solder sleeve onto the cable.
- Let the assembly cool down before removing it from the jig.
- Cut the dielectric flush to the sleeve.

3

- Put the gasket into the body
- Screw the sub-assembly into the body.

Recommended coupling torque : (see connector TDS)



Issue : 0048 B

In the effort to improve our products, we reserve the right to make changes judged to be necessary.

