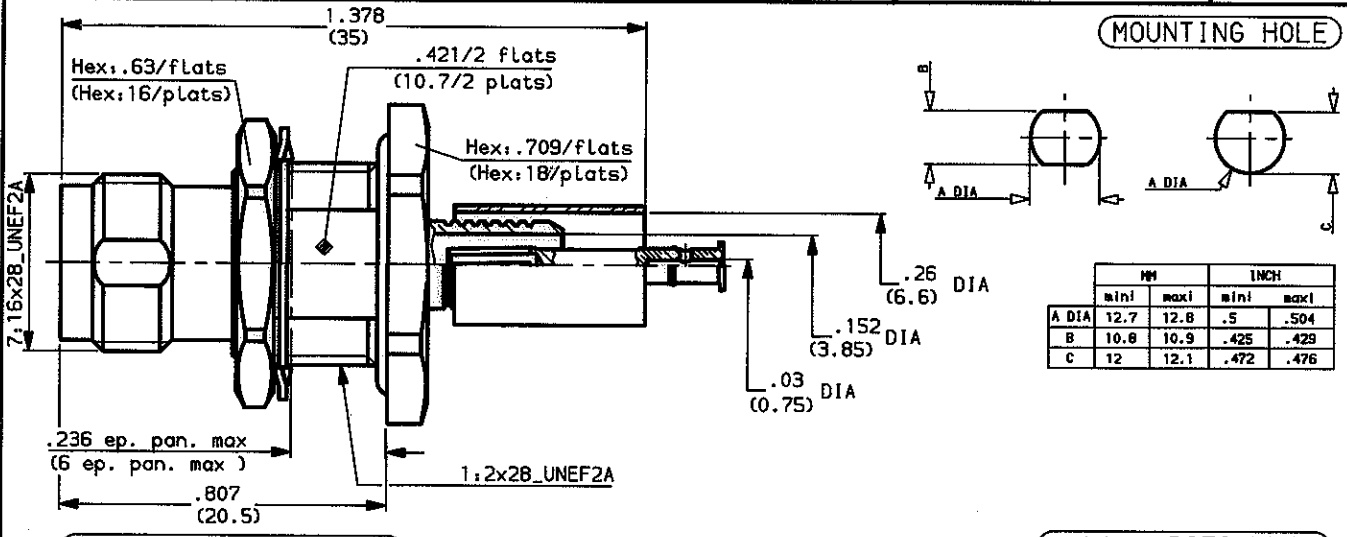


**STRAIGHT BULKHEAD JACK CRIMP  
PANEL SEAL CABLE 6/75+93**



WEIGHT oz ( g )

cables:RG59 KX6A

**CHARACTERISTICS**

<b>NOMINAL IMPEDANCE</b>	75 Ω	<b>STANDARDISATION</b>	
<b>FREQUENCY RANGE</b>	0-1.5 GHz	<b>CABLE RETENTION</b>	30.6 lb mini 136 N
<b>TEMPERATURE RATING</b>	-35/+70 °C	<b>CENTER CONTACT RETENTION</b>	
<b>VSWR</b>	NA Max	<b>Axial force - mating end</b>	2.25 l mini 10 N
<b>RF INSERTION LOSS</b>	NA √F dB Maxi	<b>Axial force - opposite end</b>	2.25 lb mini 10 N
<b>VOLTAGE RATING</b>	500 Vrms Maxi	<b>Torque (Min)</b>	NA Inch.oz NA cm.N
<b>DIELECTRIC WITHSTANDING VOLTAGE</b>	1500 Vrms mini	<b>RECOMMENDED TORQUES</b>	
<b>INSULATION RESISTANCE</b>	5000 MΩ mini	<b>Mating</b>	NA Inch. lb NA cm. N
<b>HERMETIC SEAL</b>	NA cc/s Atm.cm3/s	<b>Panel nut</b>	32.782 Inch. lb 370 cm. N
<b>LEAKAGE (pressurized only)</b>	RUIS psi RUIS MPa	<b>Clamp nut</b>	NA Inch. lb NA cm. N

**CONSTRUCTION**

CONNECTOR PARTS	MATERIALS	FINISH
BODY	Brass	Nickel
OUTER CONTACT	Brass	Nickel
CENTER CONTACT	Brass	Gold
INSULATORS	PTFE	-
Gasket	Rubber silicone	-
Ferrule	Brass	Nickel
Screw nut	Brass	Nickel
Lockwasher	Bronze	Nickel
-	-	-

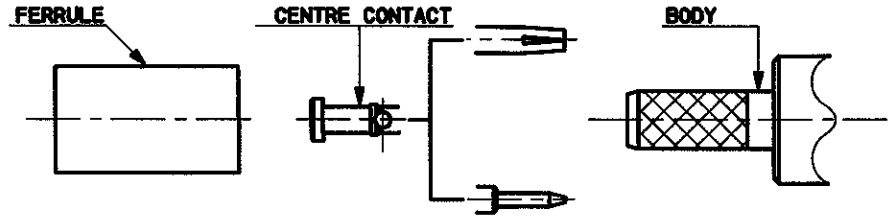
ISSUE	REVISION No	DESCRIPTION	BY	DATE
.	.	.	.	.
.	.	.	.	.
.	.	.	.	.

Initiated on 9-MAR-90  
Superseded on \_\_\_\_\_

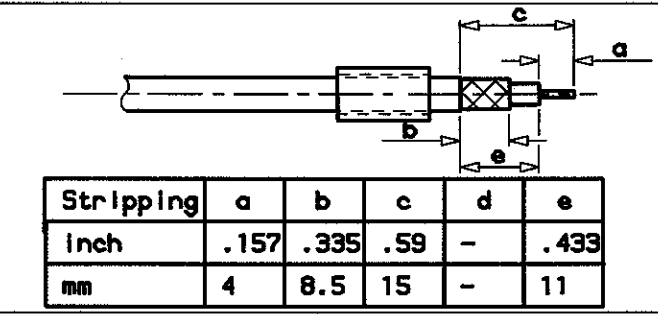
The information given here is subject to change without notice. Design changes may be in order to improve the product.



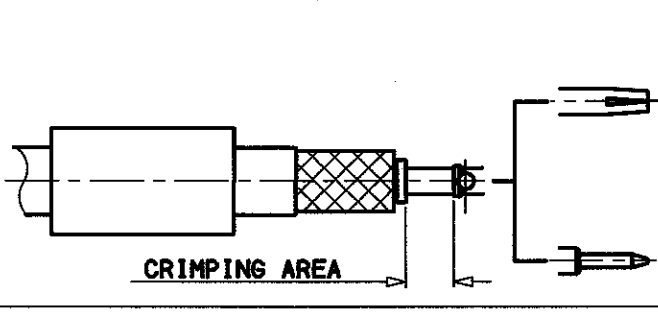
STRAIGHT BULKHEAD JACK CRIMP  
PANEL SEAL CABLE 6/75+93



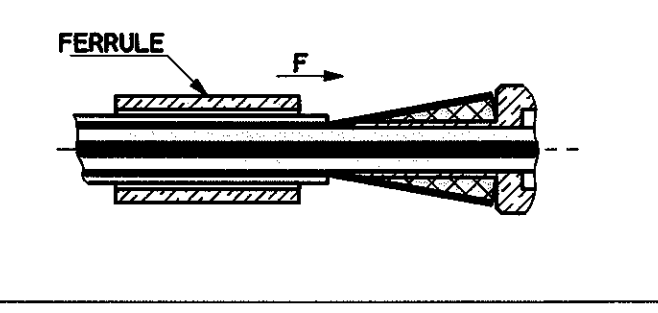
①  
1-1 Slide onto the cable the ferrule  
  
1-2 Strip the cable .



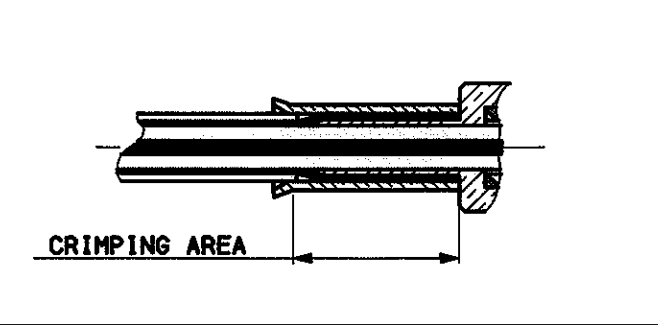
②  
2-1 Slide on the centre contact until it bottoms against cable dielectric .  
2-2 Crimp centre contact , crimping tool R 282 223 000 (Hex. .068 ) or crimping tool M22520/5-01 + dies M22520/5-13



③  
3-1 Fan the braid .  
3-2 Slide cable into the body until bottoms against insulator .  
3-3 Slide ferrule over the braid ( in direction F )



④  
4-1 Crimp the ferrule with crimping tool R 282 223 000 (Hex. .255 ) or Crimping tool M22520/5-01 + dies M22520/5-13  
4-2 Cut the excess of braid .



ISSUE	REVISION No	DESCRIPTION	BY	DATE
.	.	.	.	.
.	.	.	.	.
.	.	.	.	.

Initiated on 27 Mar 90  
Superseded on -----

The information given here is subject to change without notice. Design changes may be in order to improve the product.

