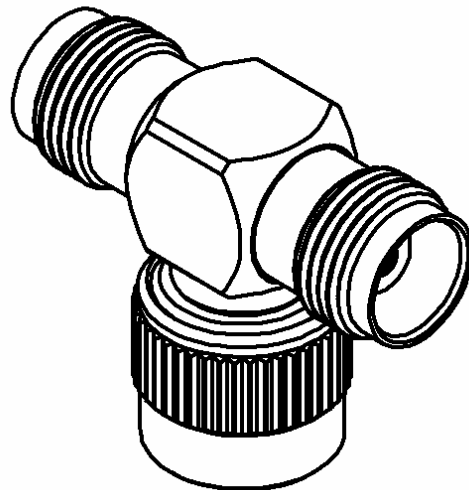
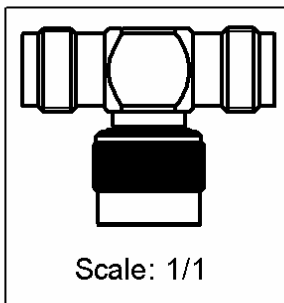
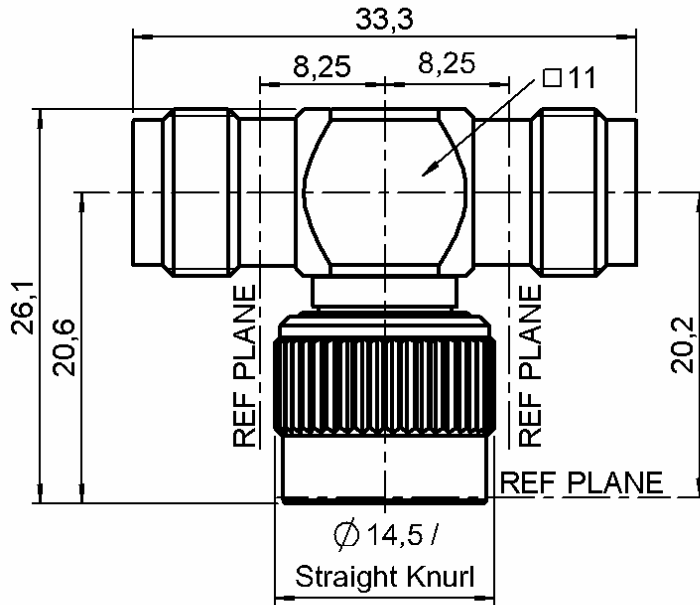


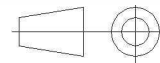
TEE FEMALE- FEMALE - MALE ADAPTOR

R143.780.000

Series : TNC



All dimensions are in mm.



| COMPONENTS | MATERIALS | PLATING (µm) |
|----------------|-------------------------|------------------------|
| BODY | BRASS | NICKEL 2 |
| CENTER CONTACT | BERYLLIUM COPPER, BRASS | GOLD 0.5 OVER NICKEL 2 |
| OUTER CONTACT | - | - |
| INSULATOR | PTFE | - |
| GASKET | SILICONE RUBBER | - |
| OTHERS PARTS | BRASS | NICKEL 2 |
| - | - | - |
| - | - | - |

Issue : 1126 R

In the effort to improve our products, we reserve the right to make changes judged to be necessary.



TEE FEMALE- FEMALE - MALE ADAPTOR

R143.780.000

Series : TNC

PACKAGING

| Standard | Unit | Other |
|----------|------|-------------------|
| 1 | | Contact us |

SPECIFICATION

QAE 06-02 - -

ELECTRICAL CHARACTERISTICS

| | | |
|---------------------------------|-------------|-----------------------------|
| Impedance | | 50 Ω |
| Frequency | | 0-11 GHz |
| VSWR | NA + | 0,0000 x F(GHz) Maxi |
| Insertion loss | | 0.07 √F(GHz) dB Maxi |
| RF leakage | - (| 57 - F(GHz)) dB Maxi |
| Voltage rating | | 500 Veff Maxi |
| Dielectric withstanding voltage | | 1500 Veff mini |
| Insulation resistance | | 5000 MΩ mini |

ENVIRONMENTAL

| | |
|-----------------------|---------------------|
| Operating temperature | -65/+165 ° C |
| Hermetic seal | NA Atm.cm3/s |
| Panel leakage | NA |

OTHER CHARACTERISTICS

Assembly instruction **NA**

Others :
-

MECHANICAL CHARACTERISTICS

| | | |
|----------------------------|---------------|-------------|
| Center contact retention | | |
| Axial force – Mating end | 18 | N mini |
| Axial force – Opposite end | 18 | N mini |
| Torque | 2.8 | N.cm mini |
| Recommended torque | | |
| Mating | NA | N.cm |
| Panel nut | NA | N.cm |
| Mating life | 500 | Cycles mini |
| Weight | 0,0000 | g |

Issue : 1126 R

In the effort to improve our products, we reserve the right to make changes judged to be necessary.

