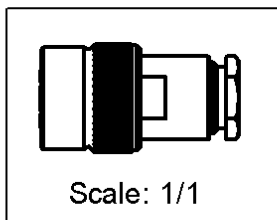
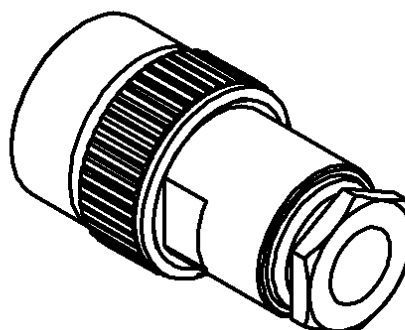
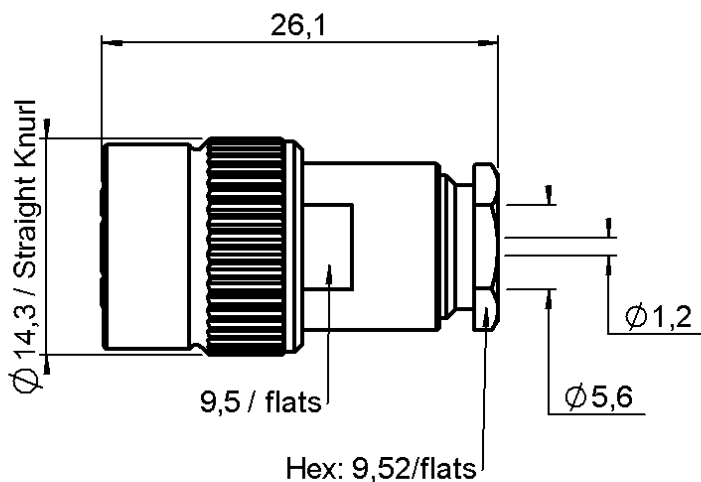


STRAIGHT PLUG CLAMP TYPE

R143.007.161

CABLE 5/50 S

Series : TNC-COM



All dimensions are in mm.

COMPONENTS	MATERIALS	PLATING
BODY	BRASS	NICKEL 2 μm
CENTRE CONTACT	BRASS	GOLD 0.2 OVER NICKEL 2 μm
OUTER CONTACT	-	- μm
INSULATOR	PTFE	
GASKET	SILICONE RUBBER	
OTHERS PARTS	BRASS	NICKEL 2 μm
-	-	-
-	-	-



Edition : 9845 B

Design changes may be in order to improve the product.

STRAIGHT PLUG CLAMP TYPE

R143.007.161

CABLE 5/50 S

Series : TNC-COM

ELECTRICAL CHARACTERISTICS

Impedance **50** Ω
 Frequency **0-1.5** GHz
 VSWR **NA + 0.000** x F(GHz) Maxi
 Insertion loss **NA** √F(GHz) dB
 RF leakage - (**NA** - F(GHz)) dB mini
 Operating temperature **-35/+70** °C
 Voltage rating **500** Veff Maxi
 Dielectric withstanding **1500** Veff mini
 Insulation resistance **5000** MΩ mini

SPECIFICATION

Stripping	a	b	c	d	e	f
mm	2.50	7.00	0.00	0.00	3.00	0.00

Assembly instruction : **Clamp 03**

Recommended cables
 RG 141
 RG 58
 KX 15

Cable retention
 - pull off **180** N mini
 - torque **NA** N.cm

MECHANICAL CHARACTERISTICS

Centre contact retention
 Axial force – Mating end **NA** N mini
 Axial force – Opposite end **NA** N mini
 Torque **NA** N.cm mini

TOOLING

Part Number	Description	Hexagon
.	.	.

Recommended torque
 Mating **22.6** N.cm
 Panel nut **NA** N.cm
 Clamp nut **150** N.cm
 A/F clamp nut **9.500** mm

Mating life **100** Cycles mini
 Weight **13.300** g

OTHERS CHARACTERISTICS

-

ENVIRONMENTAL

Hermetic seal **NA** Atm.cm3/s
 Leakage – pressurised only **NA** Mpa



Edition : 9845 B

Design changes may be in order to improve the product.