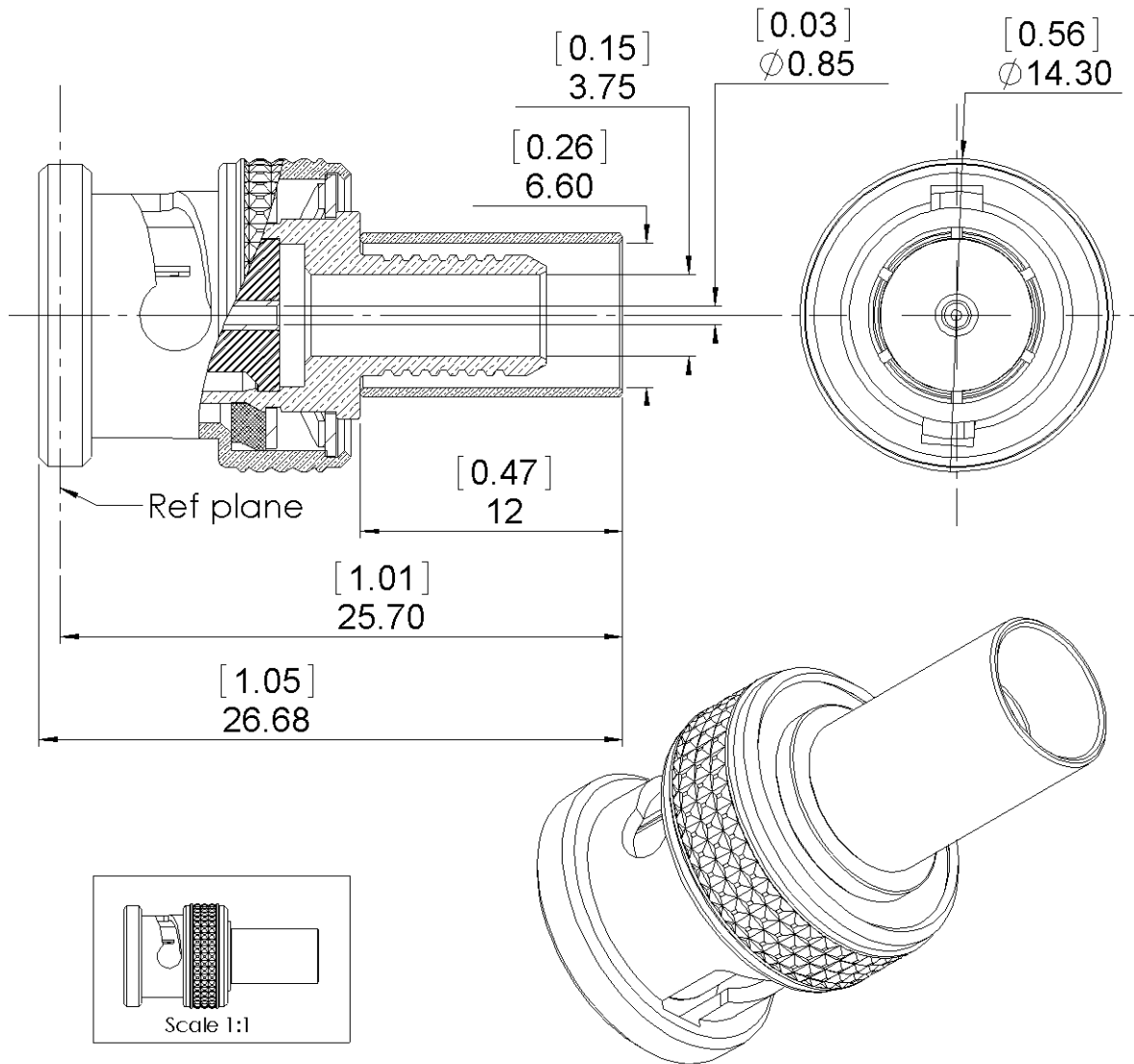
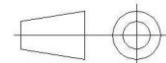


|          |                 |                    |                        |
|----------|-----------------|--------------------|------------------------|
| PAGE 1/2 | ISSUE 03-03-17C | SERIES BNC 75 HDTV | PART NUMBER R142077722 |
|----------|-----------------|--------------------|------------------------|



All dimensions are in mm.



| COMPONENTS     | MATERIALS              | PLATING ( $\mu$ m) |
|----------------|------------------------|--------------------|
| Body           | <b>BRASS</b>           | <b>NPGR</b>        |
| Center contact | <b>BRASS</b>           | <b>NPGR</b>        |
| Outer contact  | <b>BRASS</b>           | <b>NPGR</b>        |
| Insulator      | <b>PTFE</b>            |                    |
| Gasket         | <b>SILICONE RUBBER</b> |                    |
| Others parts   | <b>LAITON</b>          | <b>BBR</b>         |
| -              | -                      | -                  |
| -              | -                      | -                  |

|                 |                        |                           |                               |
|-----------------|------------------------|---------------------------|-------------------------------|
| PAGE <b>2/2</b> | ISSUE <b>03-03-17C</b> | SERIES <b>BNC 75 HDTV</b> | PART NUMBER <b>R142077722</b> |
|-----------------|------------------------|---------------------------|-------------------------------|

### PACKAGING

| Standard   | Unit              | Other             |
|------------|-------------------|-------------------|
| <b>100</b> | <b>Contact us</b> | <b>Contact us</b> |

### ELECTRICAL CHARACTERISTICS

|                                 |                      |                   |
|---------------------------------|----------------------|-------------------|
| Impedance                       | <b>75</b>            | Ω                 |
| Frequency                       | <b>DC-12</b>         | GHz               |
| VSWR                            | <b>1.05 + 0.0350</b> | x F(GHz) Maxi     |
| Insertion loss                  | <b>0.1</b>           | √F(GHz) dB Maxi   |
| RF leakage                      | - ( <b>AD</b> )      | - F(GHz)) dB Maxi |
| Voltage rating                  | <b>500</b>           | Veff Maxi         |
| Dielectric withstanding voltage | <b>1500</b>          | Veff mini         |
| Insulation resistance           | <b>5000</b>          | MΩ mini           |

### MECHANICAL CHARACTERISTICS

|                            |               |             |
|----------------------------|---------------|-------------|
| Center contact retention   |               |             |
| Axial force – Mating End   | <b>10</b>     | N mini      |
| Axial force – Opposite end | <b>10</b>     | N mini      |
| Torque                     | <b>NA</b>     | N.cm mini   |
| Recommended torque         |               |             |
| Mating                     | <b>NA</b>     | N.cm        |
| Panel nut                  | <b>NA</b>     | N.cm        |
| Clamp nut                  | <b>NA</b>     | N.cm        |
| A/F clamp nut              | <b>0.0000</b> | mm          |
| Mating life                | <b>1000</b>   | Cycles mini |
| Weight                     | <b>7.9550</b> | g           |

### ENVIRONMENTAL

|                       |                 |           |
|-----------------------|-----------------|-----------|
| Operating temperature | <b>-65/+165</b> | °C        |
| Hermetic seal         | <b>NA</b>       | Atm.cm3/s |
| Panel leakage         | <b>NA</b>       |           |

### SPECIFICATION

### CABLE ASSEMBLY

| Stripping | a          | b           | c         | d        | e        | f        |
|-----------|------------|-------------|-----------|----------|----------|----------|
| mm        | <b>3.5</b> | <b>10.8</b> | <b>18</b> | <b>0</b> | <b>0</b> | <b>0</b> |

Assembly instruction: **Crimp 02**

Recommended cable(s)

**DRAKA 0.8/3.7**  
**BELDEN 1505A**  
**CAE HD 08370**

Characteristics indicated on this data sheet are those that can be achieved with the highest performance cable. Intrinsic limitations of the cable may diminish the performance of the assembly

Cable retention

|            |            |        |
|------------|------------|--------|
| - pull off | <b>136</b> | N mini |
| - torque   | <b>NA</b>  | N.cm   |

### TOOLING

| Part Number | Description   | Hexagon                |
|-------------|---------------|------------------------|
| R282234000  | CRIMPING TOOL | Square 1.15 / Hex.6.48 |

### OTHER CHARACTERISTICS

**Data speed rate up to 12.5Gb/s**