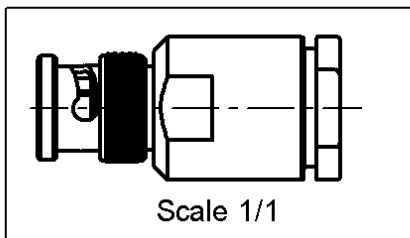
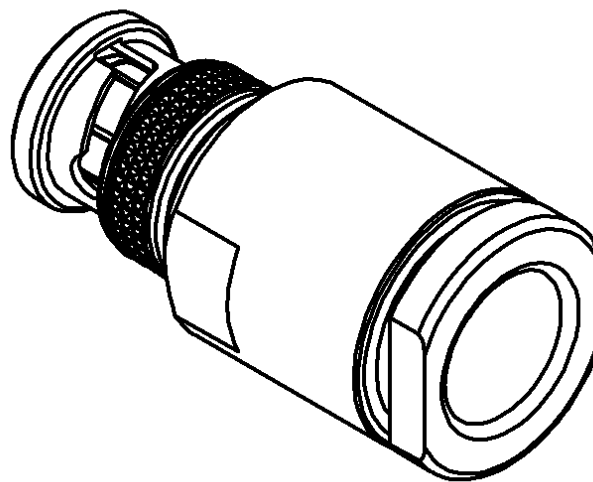
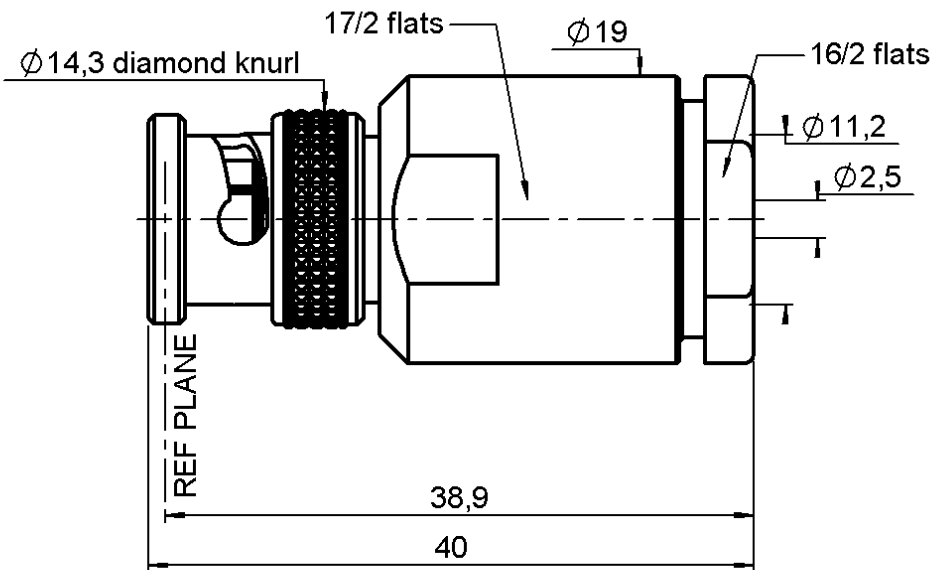


STRAIGHT PLUG CLAMP TYPE

R142.018.000

CABLE 10+11/75

Series : **BNC 75**



All dimensions are in mm.



COMPONENTS	MATERIALS	PLATING (µm)
BODY	BRASS	NICKEL 2
CENTER CONTACT	BRASS	GOLD 0.5 OVER NICKEL 2
OUTER CONTACT	-	-
INSULATOR	PTFE	-
GASKET	SILICONE RUBBER	-
OTHERS PARTS	BRASS	NICKEL 2
-	-	-
-	-	-

Issue : 0623 E

In the effort to improve our products, we reserve the right to make changes judged to be necessary.



STRAIGHT PLUG CLAMP TYPE

R142.018.000

CABLE 10+11/75

Series : **BNC 75**

PACKAGING

Standard	Unit	Other
100	'W' option	Contact us

SPECIFICATION

ELECTRICAL CHARACTERISTICS

Impedance		75 Ω
Frequency		0-1.5 GHz
VSWR	1.30 +	0,0000 x F(GHz) Maxi
Insertion loss		0.115 √F(GHz) dB Maxi
RF leakage	- (57 - F(GHz)) dB Maxi
Voltage rating		500 Veff Maxi
Dielectric withstanding voltage		1500 Veff mini
Insulation resistance		5000 MΩ mini

CABLE ASSEMBLY

Stripping	a	b	c	d	e	f
mm	3,00	9,00	0,00	0,00	1,00	0,00

Assembly instruction :

Clamp 02

Recommended cable(s)

KX 8
RG 11
RG 144
RG 216

Characteristics indicated on this data sheet are those that can be achieved with the highest performance cable. Intrinsic limitations of the cable may diminish the performance of the assembly

Cable retention

- pull off **300** N mini
- torque **NA** N.cm

MECHANICAL CHARACTERISTICS

Center contact retention

Axial force – Mating end **27** N mini
Axial force – Opposite end **NA** N mini
Torque **NA** N.cm mini

Recommended torque

Mating **NA** N.cm
Panel nut **NA** N.cm
Clamp nut **800** N.cm
A/F clamp nut **16,000** mm

Mating life **500** Cycles mini
Weight **42,1600** g

TOOLING

Part Number	Description	Hexagon
.	.	.

OTHER CHARACTERISTICS

-

ENVIRONMENTAL

Operating temperature **-65/+165** °C
Hermetic seal **NA** Atm.cm3/s
Panel leakage **NA**

Issue : **0623 E**

In the effort to improve our products, we reserve the right to make changes judged to be necessary.

