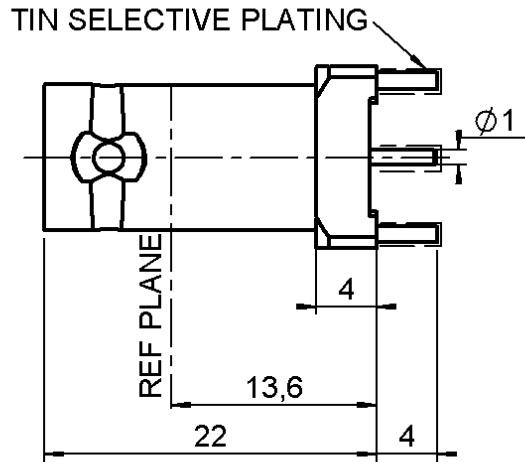
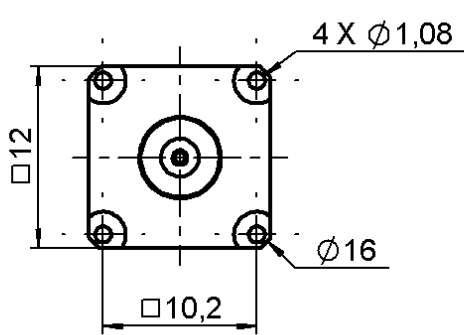


**STRAIGHT FEMALE RECEPTACLE FOR PCB**

**R141.426.165**

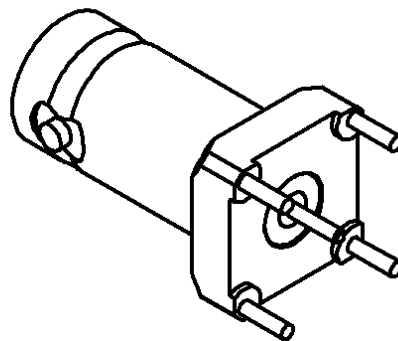
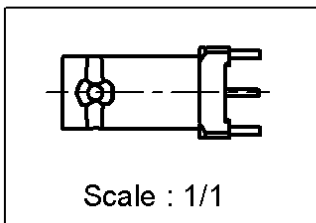
**TIN SOLDER LEGS - PACK 100**

Series : BNC-COM



**PANEL CUT OUT**

	mm	
	Maxi	mini
A	5.105	5.055
B	1.4	1.2
C	10.21	10.11



All dimensions are in mm.



COMPONENTS	MATERIALS	PLATINGS (µm)
BODY	BRASS	NICKEL 2
CENTER CONTACT	BRASS	GOLD 0.2 OVER NICKEL 2
OUTER CONTACT	-	-
INSULATOR	PTFE	-
GASKET	-	-
OTHERS PARTS	-	-
-	-	-
-	-	-

Issue : 0724 B

In the effort to improve our products, we reserve the right to make changes judged to be necessary.



**STRAIGHT FEMALE RECEPTACLE FOR PCB**

**R141.426.165**

**TIN SOLDER LEGS - PACK 100**

Series : **BNC-COM**

**PACKAGING**

**SPECIFICATION**

Standard	Unit	Other
<b>100</b>	-	<b>Contact us</b>

**ELECTRICAL CHARACTERISTICS**

**ENVIRONMENTAL**

Impedance		<b>50</b> Ω
Frequency		<b>0-1.5</b> GHz
VSWR	<b>1.08</b> +	<b>0,0060</b> x F(GHz) Maxi
Insertion loss		<b>0.05*</b> √F(GHz) dB Maxi
RF leakage	- (	<b>NA</b> - F(GHz)) dB Maxi
Voltage rating		<b>500</b> Veff Maxi
Dielectric withstanding voltage		<b>1500</b> Veff mini
Insulation resistance		<b>5000</b> MΩ mini

Operating temperature	<b>-35/+70</b> ° C
Hermetic seal	<b>NA</b> Atm.cm3/s
Panel leakage	<b>NA</b>

**OTHERS CHARACTERISTICS**

Assembly instruction **NA**

Others :

\* Coaxial Transmission Line Only

**MECHANICAL CHARACTERISTICS**

Center contact retention		
Axial force – Mating end	<b>15</b>	N mini
Axial force – Opposite end	<b>15</b>	N mini
Torque	<b>NA</b>	N.cm mini
Recommended torque		
Mating	<b>NA</b>	N.cm
Panel nut	<b>NA</b>	N.cm
Mating life	<b>100</b>	Cycles mini
Weight	<b>9,0000</b>	g

Issue : 0724 B

In the effort to improve our products, we reserve the right to make changes judged to be necessary.

