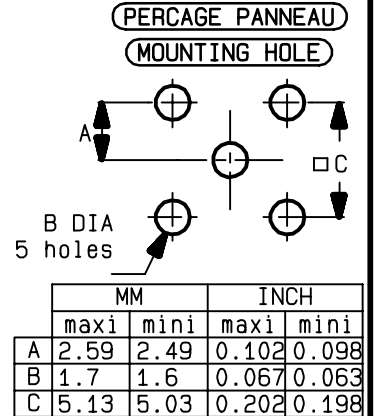
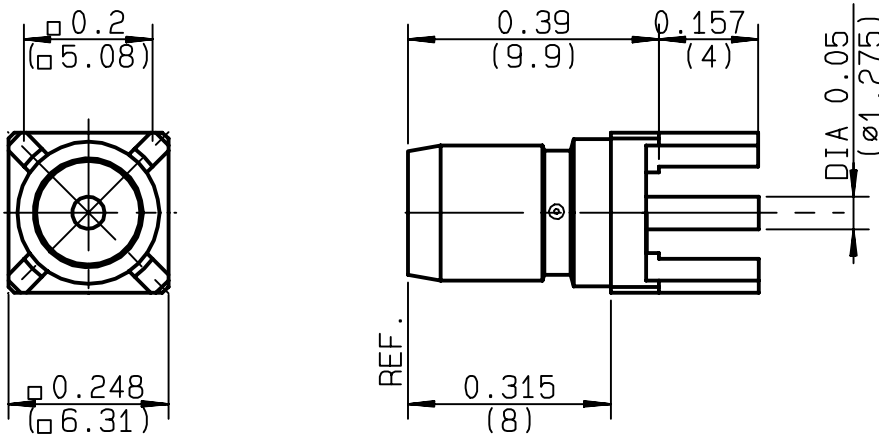


**STRAIGHT PLUG RECEPTACLE FOR PCB
SOLDER LEGS - PACK. 100**

R128.425.820
SERIES BMA COM



NOMINAL IMPEDANCE	50 Ω
FREQUENCY RANGE	0-22 GHz
TEMPERATURE RATING	-65/+125 °C
V.S.W.R	1.25* + 0 x F(GHz)Maxi
RF INSERTION LOSS	0.07 √F(GHz) dB Maxi
VOLTAGE RATING	350 Veff Maxi
DIELECTRIC WITHSTANDING VOLTAGE	1000 Veff Mini
INSULATION RESISTANCE	5000 MΩMini
HERMETIC SEAL	NA Atm.cm ³ /s
LEAKAGE (pressurized only)	NA
MECHANICAL DURABILITY	500 Cycles
WEIGHT	1.35 gr
SPECIFICATION	* R.O.S 1.25 MAXI 0-10 GHz * V.S.W.R 1.25 MAX 0-10 GHz

CABLES :	
OTHERS CHARACTERISTICS	* de 0 -10 Ghz
CABLE RETENTION	NA N Mini
CENTER CONTACT RETENTION	
Axial force - mating end	18 N Mini
Axial force - opposite end	18 N Mini
Torque	NA cm.N Mini
RECOMMENDED TORQUES	
Mating	NA cm.N
Panel nut	NA cm.N
Clamp nut	NA cm.N

CONNECTOR PARTS:	MATERIALS	FINISH	(all values are given in micrometers)
BODY	BRASS	GOLD 0.5 OVER NICKEL 2	
OUTER CONTACT			
CENTER CONTACT	BRASS	GOLD 1.3 OVER COPPER 2	
INSULATOR	PTFE	-	
GASKET		-	
OTHERS PIECES			

ISSUE	CREATION DATE	FILE PART-NUMBER
9926A00	24/06/1997	EPC96-06



BAFFERT

The information given here is subject to change without notice.
Design changes may be in order to improve the product .

Connect to the future