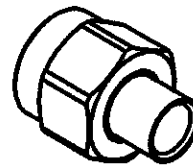
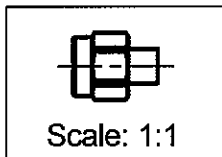
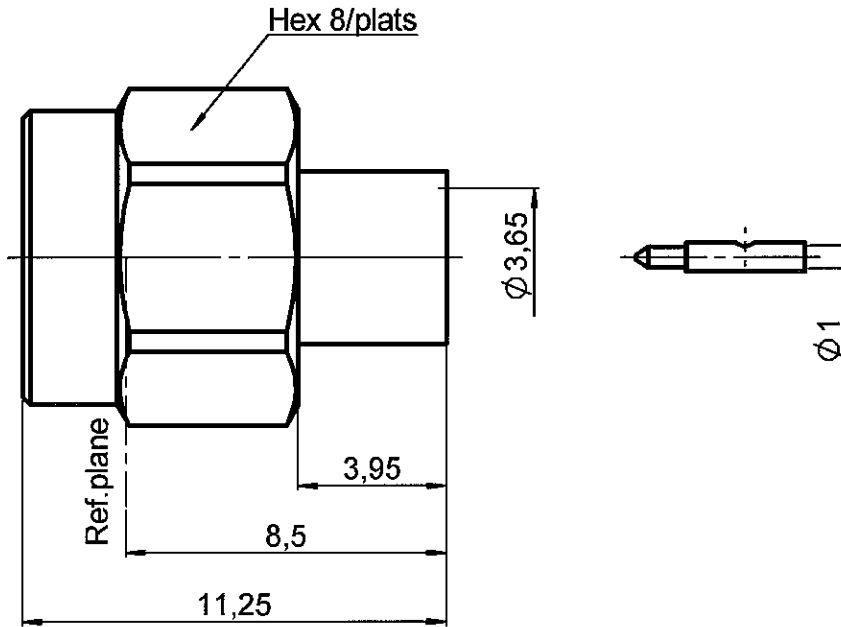


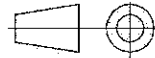
**STRAIGHT PLUG SOLDER TYPE**  
**REMOVABLE CAP - CABLE .141**

**R125.055.500**

Series : SMA



All dimensions are in mm.



COMPONENTS	MATERIALS	PLATING (µm)
BODY	STAINLESS STEEL	GOLD 0.5 OVER NICKEL 2
CENTER CONTACT	BRASS	GOLD 1.3 OVER NICKEL 2
OUTER CONTACT	-	-
INSULATOR	PTFE	-
GASKET	SILICONE RUBBER	-
OTHERS PARTS	STAINLESS STEEL	GOLD 0.5 OVER NICKEL 2
-	-	-
-	-	-

Issue : 0522 F

In the effort to improve our products, we reserve the right to make changes judged to be necessary.



**STRAIGHT PLUG SOLDER TYPE**  
**REMOVABLE CAP - CABLE .141**

**R125.055.500**

Series : SMA

**PACKAGING**

Standard	Unit	Other
100	'W' option	Contact us

**SPECIFICATION**

**CABLE ASSEMBLY**

**ELECTRICAL CHARACTERISTICS**

Impedance		<b>50</b> Ω
Frequency		<b>0-18</b> GHz
VSWR	<b>1.05 +</b>	<b>0.008</b> x F(GHz) Maxi
Insertion loss		<b>0.03</b> √F(GHz) dB Maxi
RF leakage	- (	<b>90</b> - F(GHz)) dB Maxi
Voltage rating		<b>500</b> Veff Maxi
Dielectric withstanding voltage		<b>1000</b> Veff mini
Insulation resistance		<b>5000</b> MΩ mini

Stripping	a	b	c	d	e	f
mm	3.17	0.00	0.00	0.00	0.00	0.00

Assembly instruction : **Solder 01**  
 Recommended cable(s)  
 RG 402  
 KS 2

Characteristics indicated on this data sheet are those that can be achieved with the highest performance cable. Intrinsic limitations of the cable may diminish the performance of the assembly

Cable retention

- pull off **270** N mini  
 - torque **NA** N.cm

**TOOLING**

**MECHANICAL CHARACTERISTICS**

Center contact retention		
Axial force – Mating end	<b>NA</b>	N mini
Axial force – Opposite end	<b>NA</b>	N mini
Torque	<b>NA</b>	N.cm mini
Recommended torque		
Mating	<b>100</b>	N.cm
Panel nut	<b>NA</b>	N.cm
Clamp nut	<b>NA</b>	N.cm
A/F clamp nut	<b>0.000</b>	mm
Mating life	<b>500</b>	Cycles mini
Weight	<b>0.000</b>	g

Part Number	Description	Hexagon
.	.	.
R282.120.010	SMA TOOLBOX	
. Or spare tools	-	
R282.740.000	SOLDERING MOUNTING	
R282.744.061	SOLDERING POSITIONER (BODY)	
R282.744.220	SOLDERING POSITIONER (CENTER CONTACT)	
R282.862.060	CONTROL GAUGE	
R282.914.000	CONTROLE GAUGE	
R282.730.040	INSULATOR MOUNTING TOOL	
R282.915.010	DIELECTRIC RECESS TOOL	

**ENVIRONMENTAL**

Operating temperature	<b>-65/+125</b>	° C
Hermetic seal	<b>NA</b>	Atm.cm3/s
Panel leakage	<b>NA</b>	

**OTHER CHARACTERISTICS**

Issue : 0522 F

In the effort to improve our products, we reserve the right to make changes judged to be necessary.

