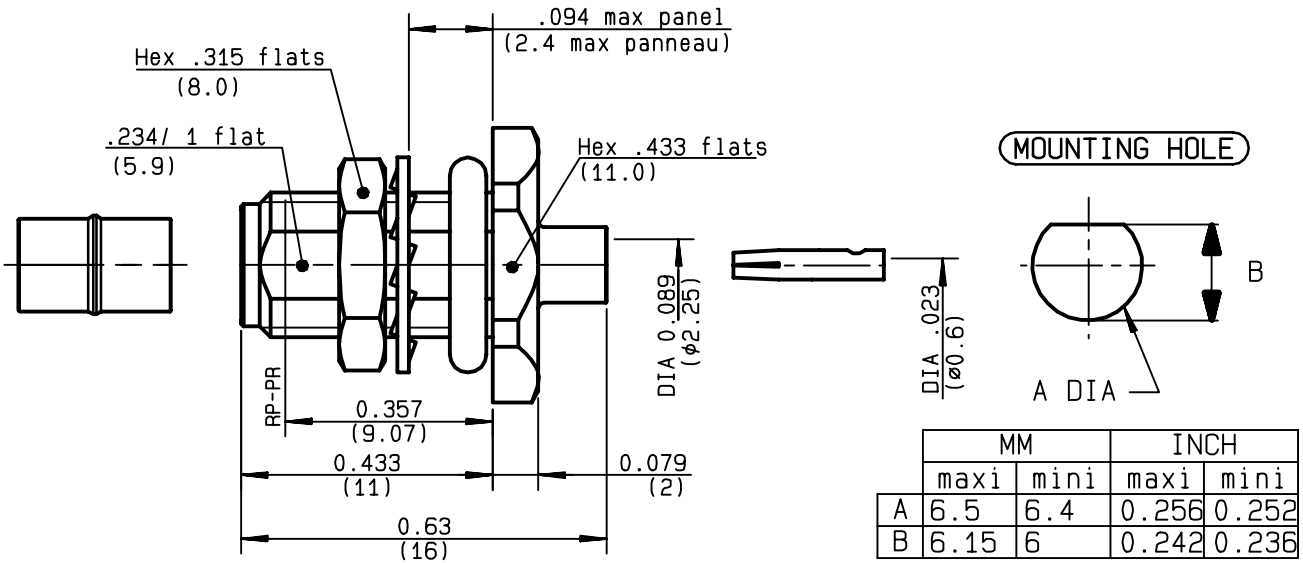


STRAIGHT BULKHEAD JACK PANEL SEAL
SOLDER TYPE - CABLE .085

R124.326.000
SERIES SMA-COM



NOMINAL IMPEDANCE	50 Ω
FREQUENCY RANGE	0-18 GHz
TEMPERATURE RATING	-65/+105 °C
V.S.W.R	1.07 + .01 x F(GHz)Maxi
RF INSERTION LOSS	0.05 √F(GHz) dB Maxi
VOLTAGE RATING	335 Veff Maxi
DIELECTRIC WITHSTANDING VOLTAGE	750 Veff Mini
INSULATION RESISTANCE	5000 MΩMini
HERMETIC SEAL	NA Atm.cm ³ /s
LEAKAGE (pressurized only)	NA
MECHANICAL DURABILITY	100 Cycles
WEIGHT	3.45 gr
SPECIFICATION	

CABLES : **KS 1**
RG 405

OTHERS CHARACTERISTICS

CABLE RETENTION	130	N Mini
CENTER CONTACT RETENTION		
Axial force - mating end	NA	N Mini
Axial force - opposite end	NA	N Mini
Torque	NA	cm.N Mini
RECOMMENDED TORQUES		
Mating	NA	cm.N
Panel nut	150	cm.N
Clamp nut	NA	cm.N

CONNECTOR PARTS	MATERIALS	FINISH	(all values are given) in micrometers
BODY	BRASS	BBR 2	
OUTER CONTACT			
CENTER CONTACT	BERYLLIUM COPPER	GOLD 1.3 OVER COPPER 2.5	
INSULATOR	PTFE	-	
GASKET	SILICONE RUBBER	-	
OTHERS PIECES	BRASS	BBR 2	

ISSUE	CREATION DATE	FILE PART-NUMBER
9847A00	18/06/1996	96-1200-101



RADIALL®

Connect to the future

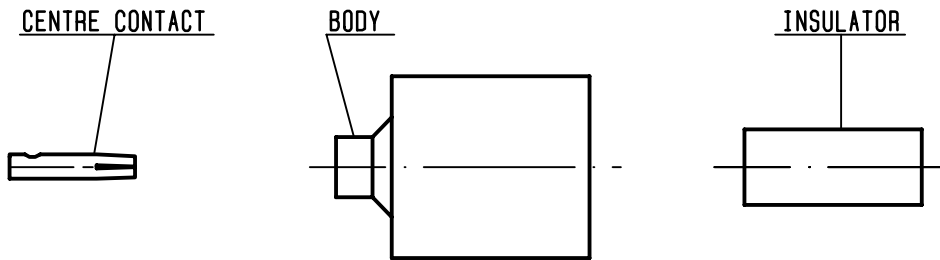
The information given here is subject to change without notice.
Design changes may be in order to improve the product .

TRIQUES



R124.326.000

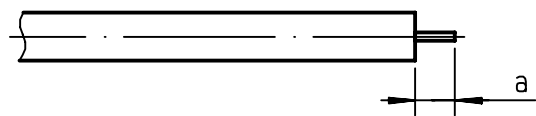
ISSUE **9847A00** SERIES **SMA-COM**



We recommend a cable thermal preconditioning before assembling

①

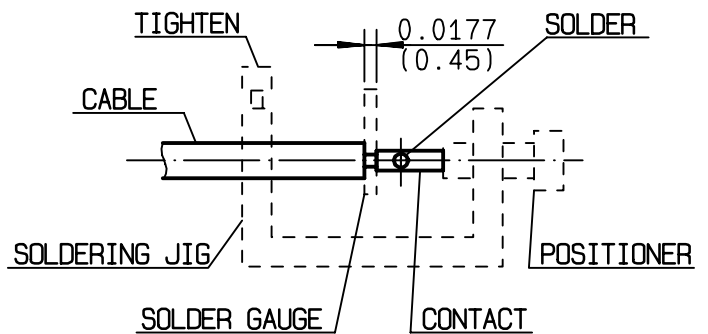
Take the tool kit : R282.120.010
Strip the dielectric of the cable .
Stripping tool cable : R282.051.000
Trimmer : R282.063.000
Clean the cable .
-



Stripping	a	b	c	d	e
inch	0.1250	0	0	0	0
mm	3.17				

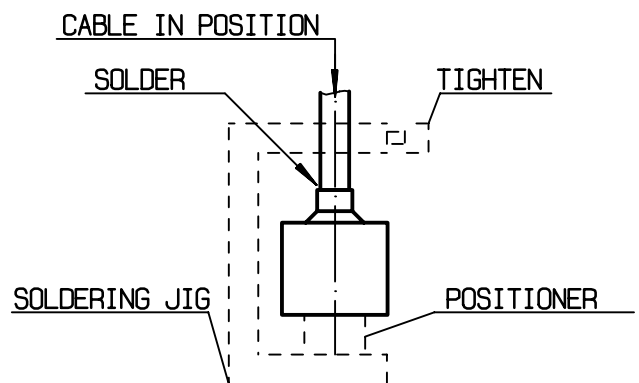
②

Screw the positioner R282.744.220 onto the soldering jig R282.740.000
Slide contact into positioner .
Insert solder gauge R282.862.060 between contact and cable .
Tighten and solder the contact .



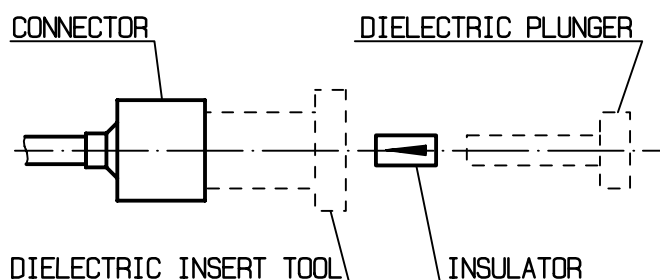
③

After cooling remove cable assembly from the jig .
Screw positioner R282.744.010 into the connector .
Slide cable into the connector until it bottoms against positioner R282.744.010 .
Tighten .
Put 3 rings of solder around the cable and solder .



④

After cooling remove cable assembly from the jig .
Screw positioner cut R282.914.010
Cut the dielectric flush to clamp braid sleeve with tool R282.915.010.
Screw female dielectric insert tool onto connector and insert insulator with the dielectric plunger R282.730.043



TRIQUES