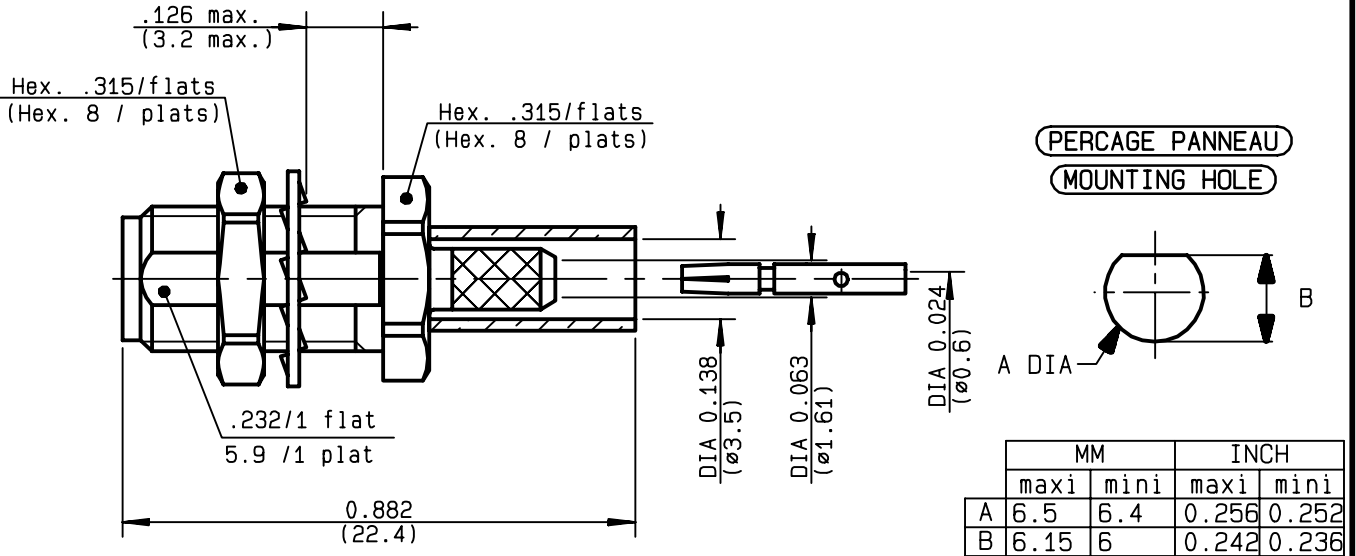


**STRAIGHT BULKHEAD JACK FULL CRIMP-TYPE
CABLE 2.6/50 D**

R124.313.123
SERIES SMA-COM



| | |
|---------------------------------|---------------------------------------|
| NOMINAL IMPEDANCE | 50 Ω |
| FREQUENCY RANGE | 0-12.4 GHz |
| TEMPERATURE RATING | -65/+165 °C |
| V.S.W.R | 1.15 + .02 x F(GHz)Maxi |
| RF INSERTION LOSS | 0.05 √F(GHz) dB Maxi |
| VOLTAGE RATING | 250 Veff Maxi |
| DIELECTRIC WITHSTANDING VOLTAGE | 750 Veff Mini |
| INSULATION RESISTANCE | 5000 MΩMini |
| HERMETIC SEAL | NA Atm.cm ³ /s |
| LEAKAGE (pressurized only) | NA |
| MECHANICAL DURABILITY | 100 Cycles |
| WEIGHT | 3.5 gr |
| SPECIFICATION | |

CABLES : **K02252D**
RD 316

OTHERS CHARACTERISTICS

| | | |
|----------------------------|------------|-----------|
| CABLE RETENTION | 110 | N Mini |
| CENTER CONTACT RETENTION | | |
| Axial force - mating end | 18 | N Mini |
| Axial force - opposite end | 18 | N Mini |
| Torque | NA | cm.N Mini |
| RECOMMENDED TORQUES | | |
| Mating | NA | cm.N |
| Panel nut | 150 | cm.N |
| Clamp nut | NA | cm.N |

CONNECTOR PARTS MATERIALS

| | |
|----------------|------------------|
| BODY | BRASS |
| OUTER CONTACT | |
| CENTER CONTACT | BERYLLIUM COPPER |
| INSULATOR | PTFE |
| GASKET | |
| OTHERS PIECES | BRASS |

FINISH (all values are given in micrometers)

| | |
|----------------|--------------------------|
| BODY | GOLD 0.2 OVER NICKEL 2 |
| OUTER CONTACT | |
| CENTER CONTACT | GOLD 1.3 OVER COPPER 2.5 |
| INSULATOR | - |
| GASKET | - |
| OTHERS PIECES | GOLD 0.2 OVER NICKEL 2 |

TRIQUES

| | | |
|----------------|-------------------|--------------------|
| ISSUE | CREATION DATE | FILE PART-NUMBER |
| 9847A00 | 02/12/1996 | 96-1000-059 |



RADIALL®

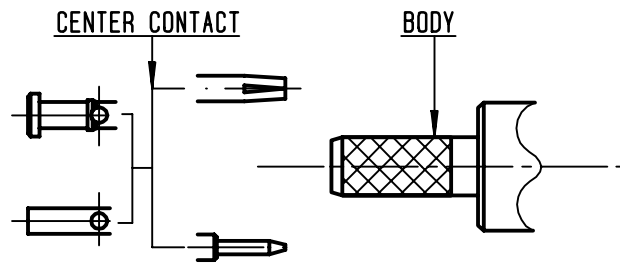
The information given here is subject to change without notice.
Design changes may be in order to improve the product.

Connect to the future



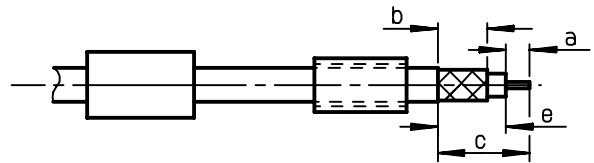
R124.313.123

ISSUE 9847A00 SERIES SMA-COM



①

Slide heatshrink sleeve (R280.637.020-Option) and ferrule onto cable. Strip the cable.

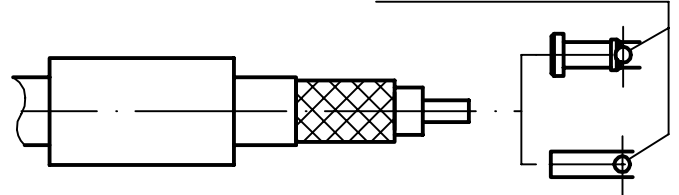


| Stripping | a | b | c | d | e |
|-----------|-------|-------|-------|---|-------|
| inch | 0.118 | 0.248 | 0.425 | 0 | 0.307 |
| mm | 3 | 6.3 | 10.8 | | 7.8 |

②

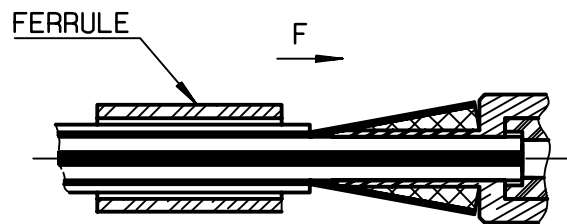
Slide center contact on until it bottoms against cable dielectric. Solder or crimp center contact. Crimping tool : R282.281.000 (2 x 4 pts) position 5 + positionner R282.967.012.

SOLDER / CRIMPING



③

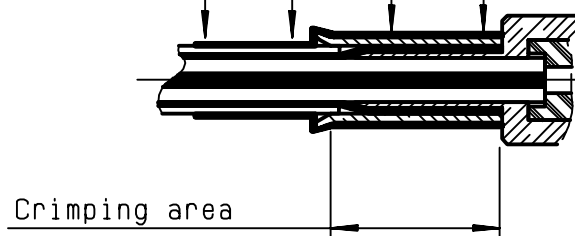
Fan the braid. Slide cable into the body by overtaking the insulator hard mounting point. Slide ferrule over the braid. (In direction F)



④

Crimp the ferrule with crimping tool R282.271.000 (Hex. : .151)(3.84) or crimping tool R282.293.000 (M22520/5-01) + dies R282.235.037 (M22520/5-37) Cut excess of braid if necessary. Slide sleeve over ferrule and heatshrink in place (Option)

Shrink the heatshrink sleeve



TRIQUES