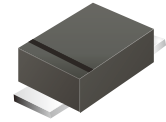


## ES2AWF-HF Thru. ES2JWF-HF

Reverse Voltage: 50 to 600 Volts

Forward Current: 2 Amp

RoHS Device  
Halogen Free



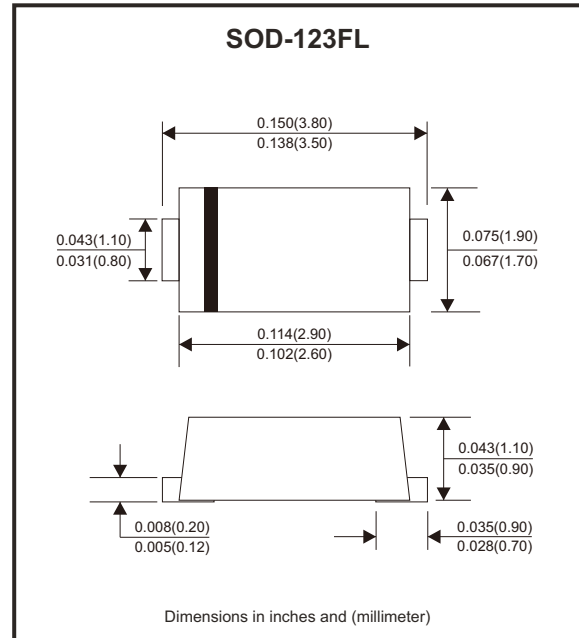
### Features

- Easy pick and place.
- For surface mounted applications.
- Low profile package.
- Built-in strain relief.
- Super fast recovery times for high efficiency.

### Mechanical data

- Case: SOD-123FL
- Terminals: Solderable per MIL-STD-750, method 2026.

### Circuit Diagram



### Maximum Ratings and Electrical Characteristics

Ratings at 25°C ambient temperature unless otherwise specified.  
Single phase, half wave, 60Hz resistive or inductive load, for capacitive load, derate by 20%

Parameter	Symbols	ES2AWF -HF	ES2BWF -HF	ES2CWF -HF	ES2DWF -HF	ES2EWF -HF	ES2GWF -HF	ES2JWF -HF	Units
Maximum repetitive peak reverse voltage	V <sub>RRM</sub>	50	100	150	200	300	400	600	V
Maximum RMS voltage	V <sub>RMS</sub>	35	70	105	140	210	280	420	V
Maximum DC blocking voltage	V <sub>DC</sub>	50	100	150	200	300	400	600	V
Maximum average forward rectified current at T <sub>c</sub> = 125°C	I <sub>F(AV)</sub>	2							A
Peak forward surge current, 8.3ms single half sine-wave superimposed on rated load	I <sub>FSM</sub>	50							A
Max. forward voltage at 2A	V <sub>F</sub>	1.0			1.25		1.68		V
Maximum DC reverse current at rated DC blocking voltage T <sub>a</sub> = 25°C T <sub>a</sub> = 125°C	I <sub>R</sub>	5 100							μA
Typical junction capacitance at V <sub>R</sub> = 4V, f = 1MHz	C <sub>j</sub>	30							pF
Maximum reverse recovery time (Note 1)	t <sub>rr</sub>	35							ns
Typical thermal resistance (Note 2)	R <sub>θJA</sub> R <sub>θJC</sub>	75 22							°C/W
Operating and storage temperature range	T <sub>j</sub> , T <sub>stg</sub>	-55 ~ +150							°C

Notes: 1. Measured with I<sub>F</sub> = 0.5A, I<sub>R</sub> = 1A, I<sub>rr</sub> = 0.25A.  
2. P.C.B. mounted with 2.0" x 2.0" (5 x 5 cm) copper pad areas.

Company reserves the right to improve product design, functions and reliability without notice.

REV:A

## Rating and Characteristic Curves (ES2AWF-HF Thru. ES2JWF-HF)

Fig.1 - Max. Average Forward Current Rating

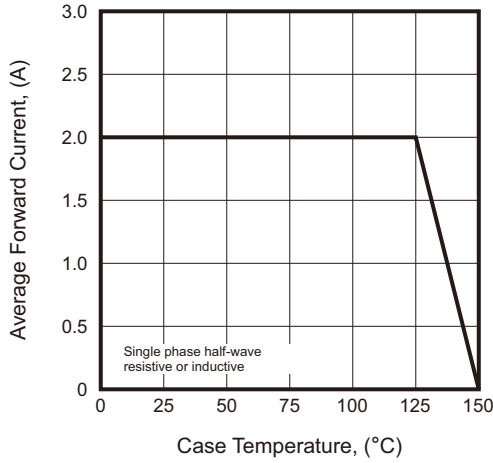


Fig.2 - Typical Reverse Characteristics

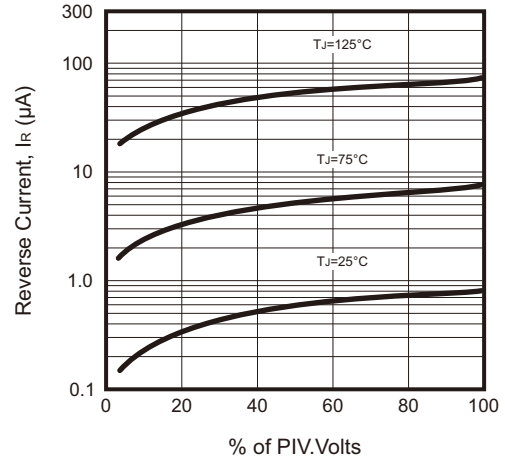


Fig.3 - Typical Forward Characteristic

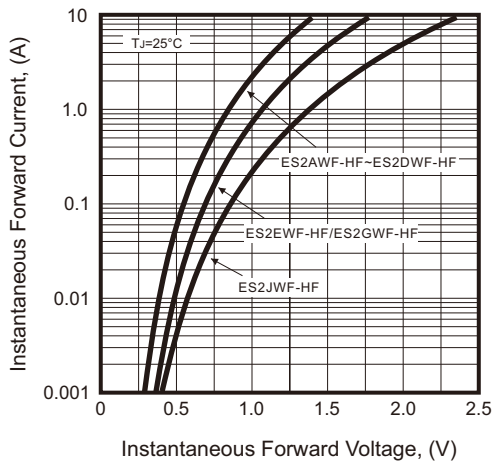


Fig.4 - Typical Junction Capacitance

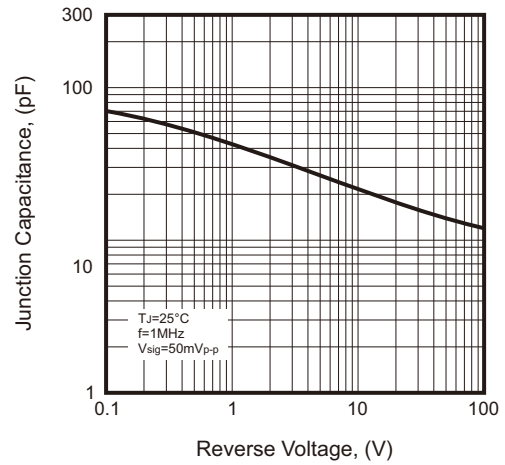
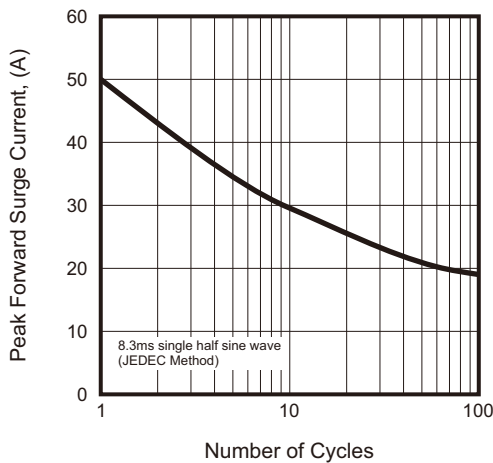
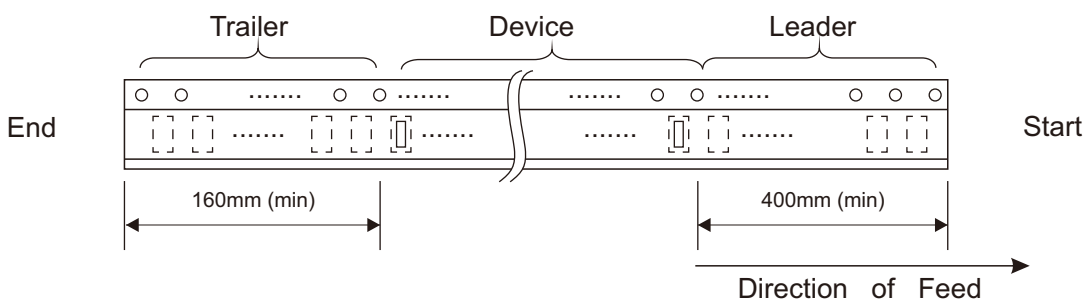
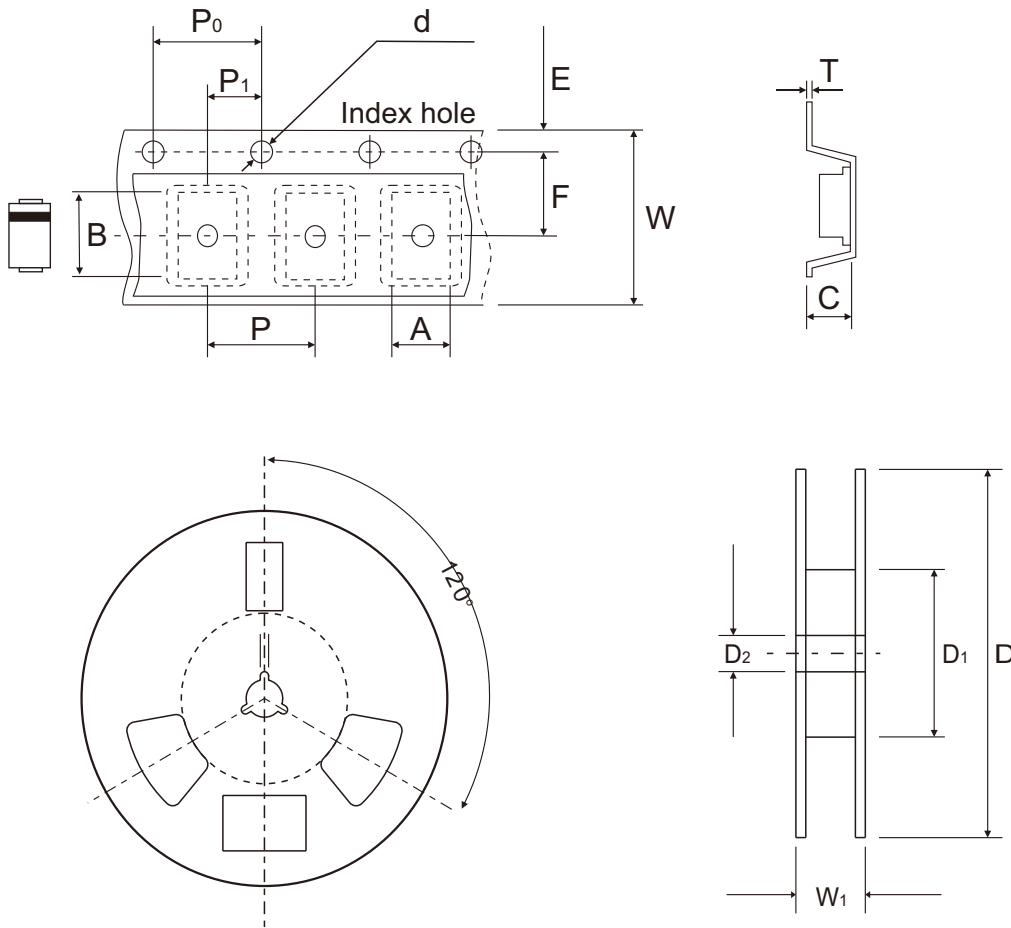


Fig.5 - Maximum Non-Repetitive Peak Forward Surge Current



Company reserves the right to improve product design, functions and reliability without notice.

## Reel Taping Specification



SOD-123FL	SYMBOL	A	B	C	d	D	D1	D2
	(mm)	2.05 ± 0.10	3.90 ± 0.10	1.28 ± 0.05	1.55 ± 0.05	180 ± 1.00	60.00 ± 1.50	13.00 ± 0.20
	(inch)	0.081 ± 0.004	0.154 ± 0.004	0.050 ± 0.002	0.061 ± 0.002	7.087 ± 0.039	2.362 ± 0.059	0.512 ± 0.008

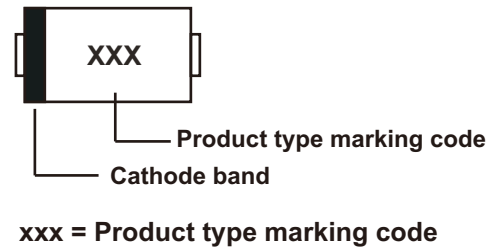
SOD-123FL	SYMBOL	E	F	P	P0	P1	T	W	W1
	(mm)	1.75 ± 0.10	3.50 ± 0.10	4.00 ± 0.10	4.00 ± 0.10	2.00 ± 0.05	0.25 ± 0.02	8.00 ± 0.30	10.70 + 2.00 - 1.00
	(inch)	0.069 ± 0.004	0.138 ± 0.004	0.157 ± 0.004	0.157 ± 0.004	0.079 ± 0.002	0.010 ± 0.001	0.315 ± 0.012	0.421 + 0.079 - 0.039

Company reserves the right to improve product design, functions and reliability without notice.

REV:A

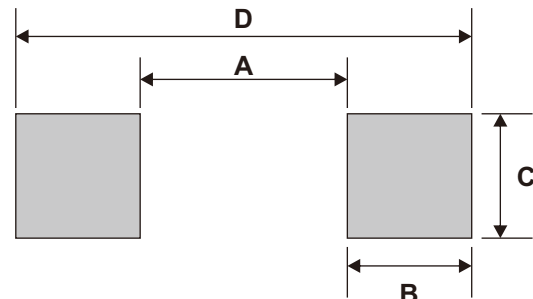
## Marking Code

Part Number	Marking Code
ES2AWF-HF	E2L
ES2BWF-HF	
ES2CWF-HF	
ES2DWF-HF	
ES2EWF-HF	E2M
ES2GWF-HF	
ES2JWF-HF	E2H



## Suggested PAD Layout

SIZE	SOD-123FL	
	(mm)	(inch)
A	2.00	0.079
B	1.20	0.047
C	1.20	0.047
D	4.40	0.173



Note: 1. The pad layout is for reference purpose only.

## Standard Packaging

Case Type	REEL PACK	
	REEL ( pcs )	Reel Size (inch)
SOD-123FL	3,000	7