

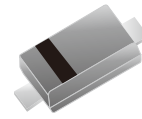
BAS521-HF

Reverse Voltage: 300 Volts

Forward Current: 250 mA

RoHS Device

Halogen Free

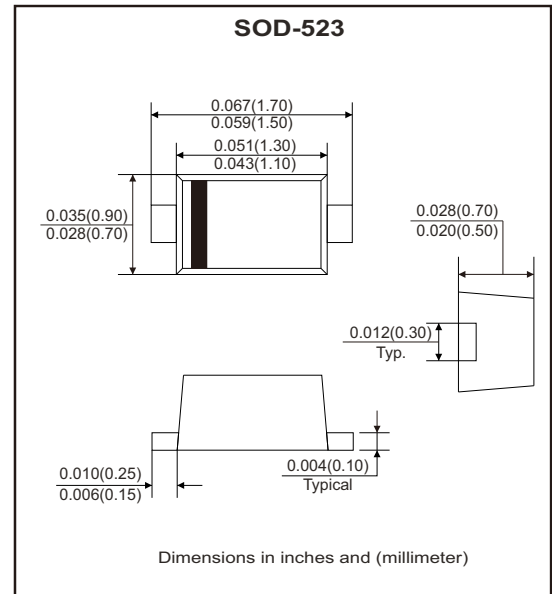


Features

- Ultra small plastic SMD package.
- High voltage switching diode.
- High continuous reverse voltage: 300V
- Repetitive peak forward current: 625mA
- High switching speed: max.50ns.

Mechanical data

- Case: SOD-523 standard package, Molded plastic.
- Terminals: Solderable per MIL-STD-750, method 2026.
- Mounting position: Any.
- Weight: 0.012 grams(approx.).



Circuit Diagram



Maximum Ratings (at $T_A=25^\circ\text{C}$ unless otherwise noted)

Parameter	Symbol	Value	Unit
Repetitive peak reverse voltage	V_{RRM}	300	V
Continuous reverse voltage	V_R	300	V
Continuous forward current	I_F	250	mA
Repetitive forward current	I_{FRM}	1	A
Non-repetitive peak forward surge current	I_{FSM}	4.5	A
Total power dissipation	P_{tot}	500	mW
Junction temperature	T_J	150	$^\circ\text{C}$
Storage and operating ambient temperature	T_{STG}, T_{amb}	-65 ~ +150	$^\circ\text{C}$

Note: T_s is temperature at the soldering point of the cathode tab.

Electrical Characteristics (at $T_A=25^\circ\text{C}$ unless otherwise noted)

Parameter	Symbol	Conditions	Min.	Typ.	Max.	Unit
Breakdown voltage	V_{BR}	$I_R=100\mu\text{A}$	300	340		V
Forward voltage	V_F	$I_F=100\text{mA}$		0.95	1.1	V
Reverse current	I_R	$V_R=250\text{V}$		30	150	nA
	I_R	$V_R=250\text{V}, T_J=150^\circ\text{C}$		40	100	μA
Diode capacitance	C_d	$V_R=0\text{V}, f=1\text{MHz}$		0.4	5	pF
Reverse recovery time	t_{rr}	When switching from $I_F=30\text{mA}$ to $I_R=30\text{mA}$; $R_L=100\Omega$; measured at $I_R=3\text{mA}$		16	50	nS

Rating and Characteristic Curves (BAS521-HF)

Fig.1 - Forward current as a function of forward voltage; typical values

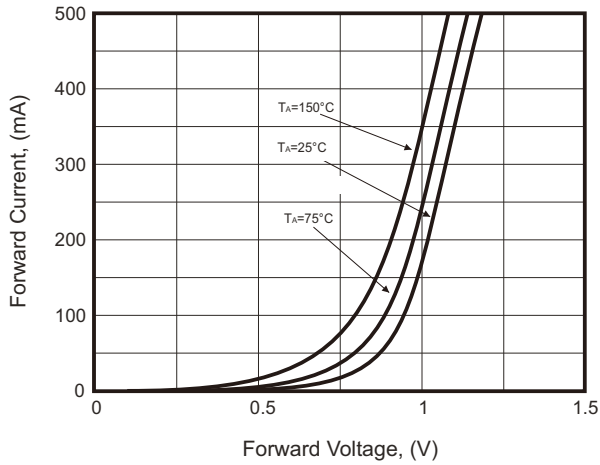


Fig.2 - Reverse current as a function of junction temperature

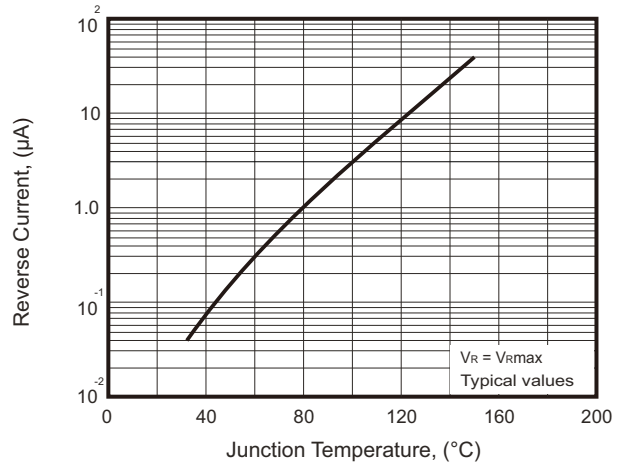


Fig.3 - Maximum permissible continuous forward current as a function of ambient temperature.

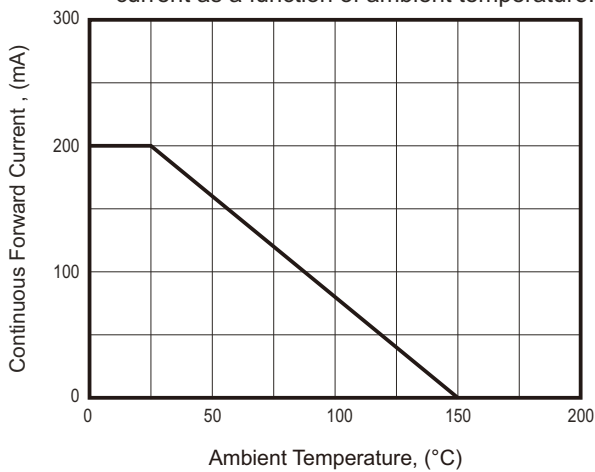


Fig.4 - Diode capacitance as a function of reverse voltage; typical values

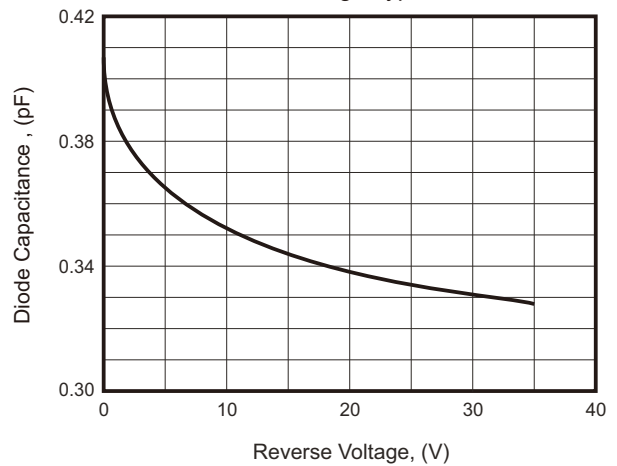
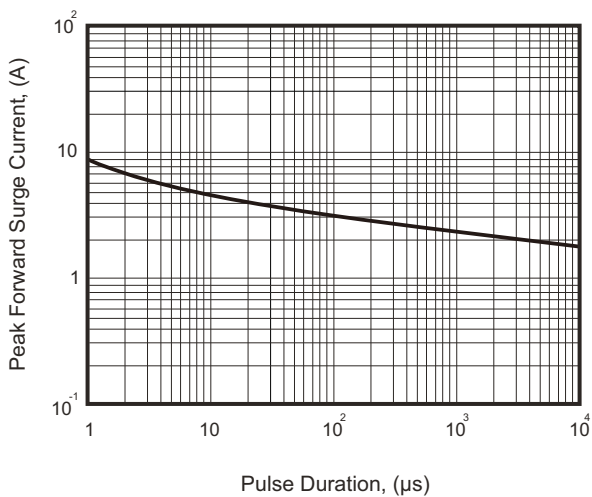
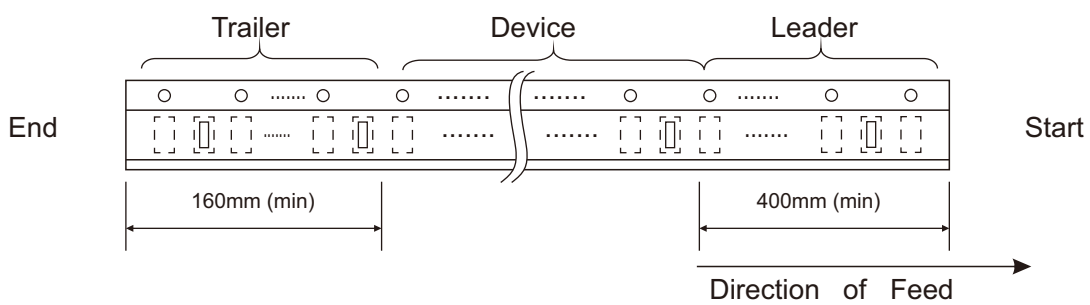
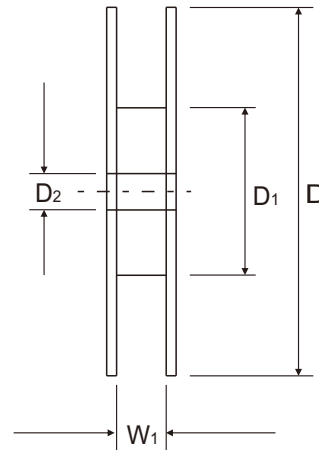
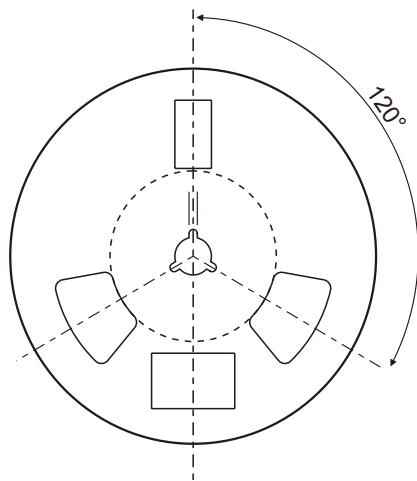
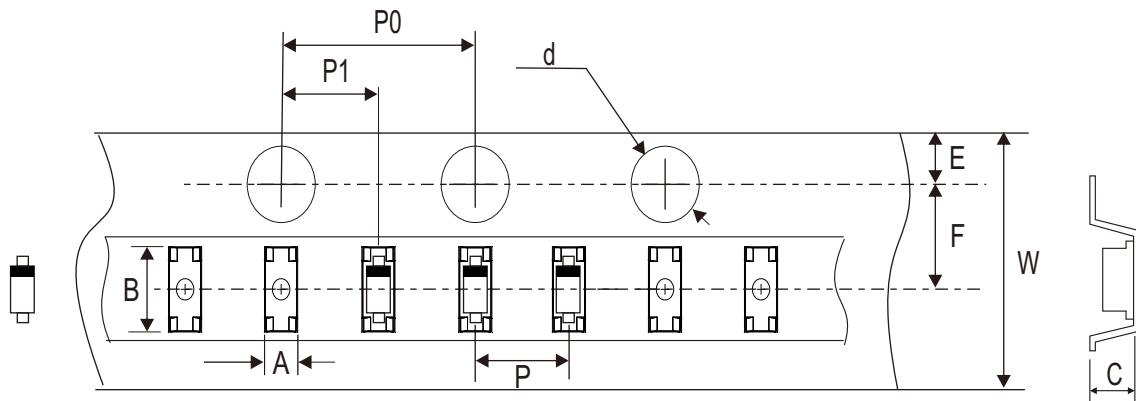


Fig.5 - Maximum permissible non-repetitive peak forward current as a Function of pulse duration



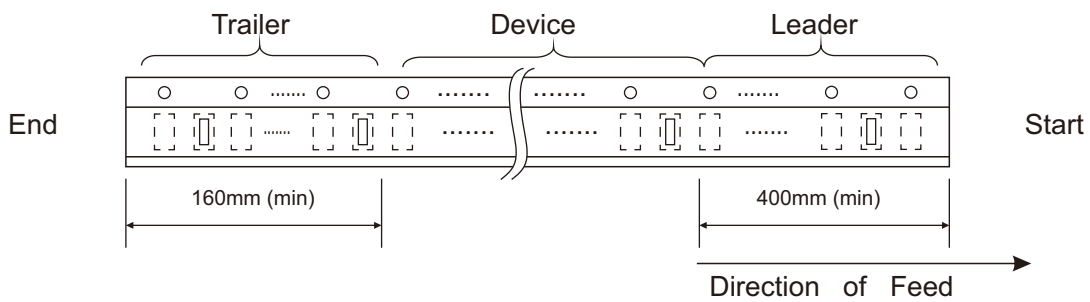
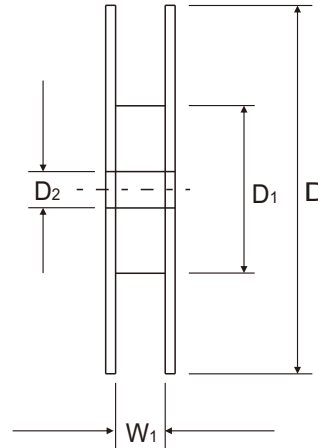
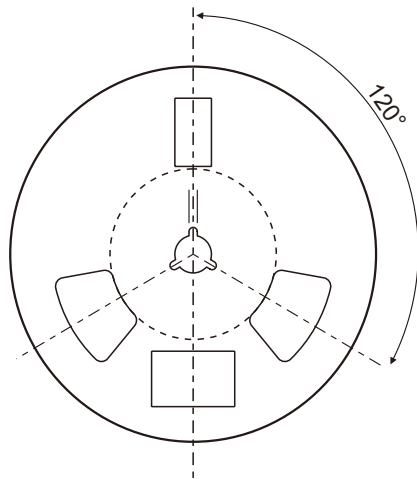
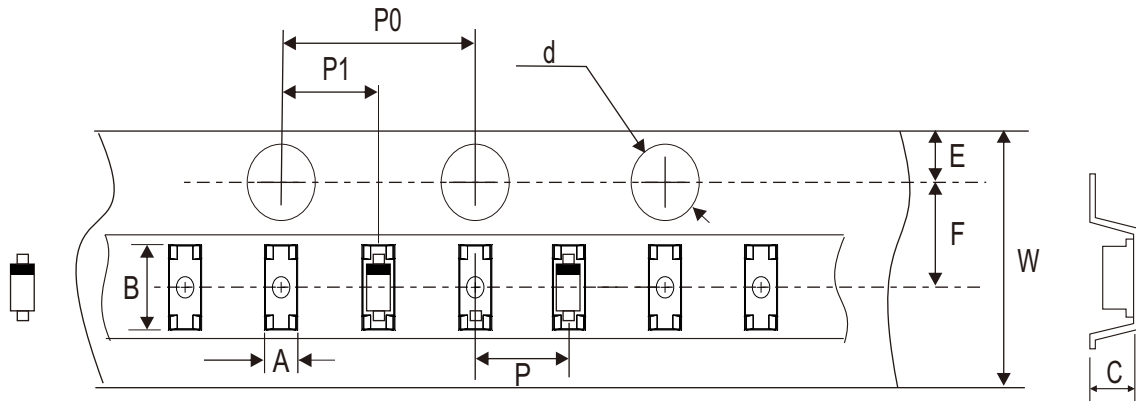
Reel Taping Specification (For BAS521-F-HF)



SOD-523	SYMBOL	A	B	C	d	D	D1	D2
	(mm)	0.95 ± 0.05	1.94 ± 0.05	0.73 ± 0.10	1.50 ± 0.10	178 ± 1.00	54.00 ± 0.50	13.00 ± 0.50
	(inch)	0.037 ± 0.002	0.076 ± 0.002	0.029 ± 0.004	0.059 ± 0.004	7.008 ± 0.039	2.126 ± 0.020	0.512 ± 0.020

SOD-523	SYMBOL	E	F	P	P0	P1	W	W1
	(mm)	1.75 ± 0.10	3.50 ± 0.05	2.00 ± 0.05	4.00 ± 0.10	2.00 ± 0.05	$8.00 \pm 0.30 / - 0.10$	9.50 ± 1.00
	(inch)	0.069 ± 0.004	0.138 ± 0.002	0.079 ± 0.002	0.157 ± 0.004	0.079 ± 0.002	$0.315 \pm 0.012 / - 0.004$	0.374 ± 0.039

Reel Taping Specification (For BAS521-H-HF)



SOD-523	SYMBOL	A	B	C	d	D	D1	D2
	(mm)	0.95 ± 0.05	1.94 ± 0.05	0.73 ± 0.10	1.50 ± 0.10	178 ± 1.00	54.00 ± 0.50	13.00 ± 0.50
	(inch)	0.037 ± 0.002	0.076 ± 0.002	0.029 ± 0.004	0.059 ± 0.004	7.008 ± 0.039	2.126 ± 0.020	0.512 ± 0.020

SOD-523	SYMBOL	E	F	P	P0	P1	W	W1
	(mm)	1.75 ± 0.10	3.50 ± 0.05	2.00 ± 0.05	4.00 ± 0.10	2.00 ± 0.05	8.00 + 0.30 / - 0.10	9.50 ± 1.00
	(inch)	0.069 ± 0.004	0.138 ± 0.002	0.079 ± 0.002	0.157 ± 0.004	0.079 ± 0.002	0.315 + 0.012 / - 0.004	0.374 ± 0.039

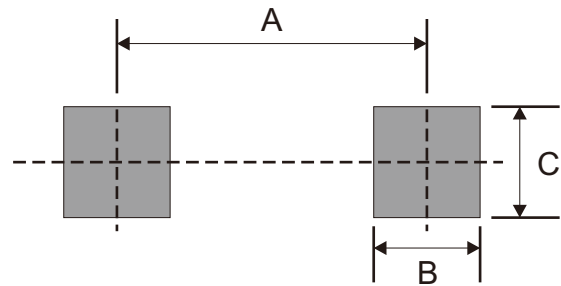
Marking Code

Part Number	Marking Code
BAS521-F-HF	L4
BAS521-H-HF	



Suggested P.C.B. PAD Layout

SIZE	SOD-523	
	(mm)	(inch)
A	1.40	0.055
B	0.40	0.016
C	0.40	0.016



Standard Packaging

Case Type		REEL PACK	
		REEL (pcs)	Reel Size (inch)
SOD-523	BAS521-F-HF	8,000	7
	BAS521-H-HF	3,000	