

Features

- WPC Qi V1.2.4 certified, compatible with all Qi enabled devices.
- Simply integrated in any products like household electrical appliances, furnitures, ceramics, cars and public facilities.
- Simple retrofitting into furniture by drilling from above or from the below of the surface.
- Qi 5W, mini size, DC4.0 Jack



Input Characteristics

- Input Voltage & Frequency

Item	Minimum	Normal	Maximum
Input Voltage	4.75VDC	5.0VDC	5.3VDC
Frequency	110 ~ 205 kHz		

- Input Current
1.65A max. @ 5.0VDC Full load
- Rush Current (cold)
1.80A max. @ 5.0VDC Full load & Ambient temperature 25°C
- Energy Consumption ≤ 0.625W

Output Characteristics

- Output Mode at the Receiving End

TX Input Voltage	Charging Mode (RX)
	Qi 5W
5.0VDC	V

Protection Requirement

- Short Circuit Protection
When the output of RX is short-circuited, the input power should decrease or stop supplying so that the power supply will not be damaged. And it should automatically recover when the fault is resolved.
- Over Current Protection (OCP)
OCP Point Limited : 120%~130% auto restart
When the output at the receiving end exceeds the OCP point, the current output should stop immediately; and restored when the fault is resolved.

Execution Standards (Compatible with these specifications)

- EMC Standards

EN55032	EN55024	FCC-Part15
---------	---------	------------

Reliability Requirements

- Reliability Test

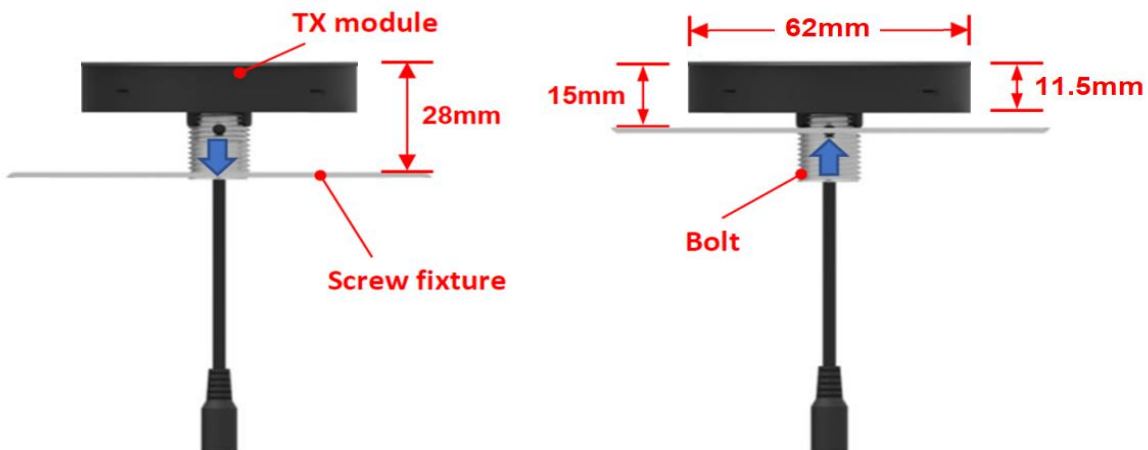
Test items	Test conditions
Storage at high temperature test	+60°C, 16hours
Storage at low temperature test	-20°C, 16hours
Operating at high temperature test	+40°C, 8hours
Operating at low temperature test	-20°C, 8hours
High / Low temperature cycle test	+40°C (2Hrs) → -20°C (2Hrs) → +40°C (2Hrs) → -20°C (2Hrs) continually work 24hours

- Burn-in : 2 hours under +35°C (±5°C), nominal input voltage, nominal load.

Environment Requirement

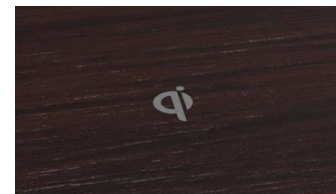
- Operating Temperature and Relative Humidity
0°C to +40°C, 20%RH to 80%RH @ altitude shall be below 10000 feet.
- Storage Temperature and Relative Humidity
-20°C to +60°C, 10%RH to 90%RH (non-condensing) @ altitude shall be below 30000 feet.

Dimension & Installation Method



Note:

- Screw fixture design enable you to secure the TX module to a range of work top thickness (15mm~28mm)
- Fits the TX module into the hole in work surface.
- Fits the screw fixture to a range of desk thickness and fix it with the screws.



Others

- Size : $\Phi 62 * 28\text{mm}$
- Weight : $75 \pm 5\text{g}$
- Please use the correct rated AC adapter to ensure the normal function.