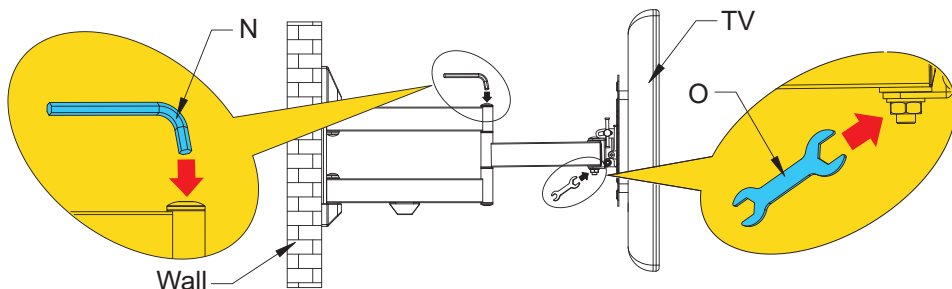
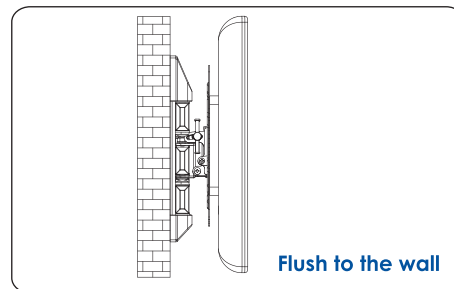
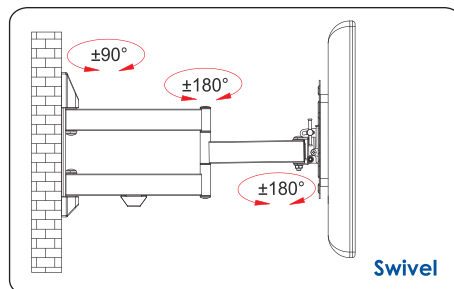
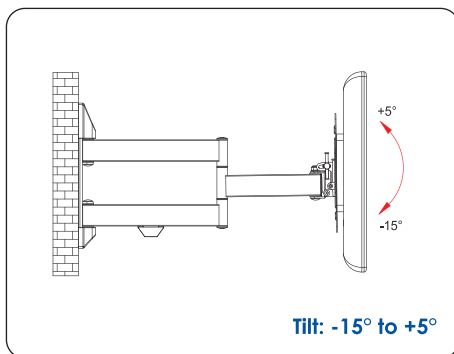
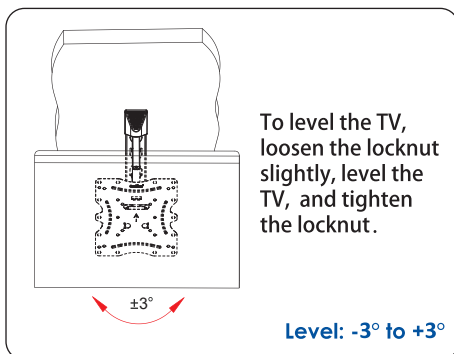


## 7 Adjustments



**NOTE** Tighten all bolts and screws after adjusting the TV.

Tension was preset at the factory. To adjust tension, loosen or tighten arm adjustment bolts using allen key (N) and wrench (O). TV or monitor can be adjusted to desired location by tilting and swiveling the bracket.



## Maintenance

Please check that the TV wall mount is secure and safe to use at regular intervals. If you have any questions regarding any of the instructions or warnings, please contact your local distributor (OR) contact QualGear technical support via email at support@qualgear.com.

# QualGear®

Accessories that Inspire.

## QG-TM-021-BLK

INSTALLATION MANUAL

### ULTRA LOW PROFILE ARTICULATING TV WALL MOUNTING KIT



**55" MAX**  
For Most 23" to 55" Flat Screen TVs and Monitors

**30kg (66lbs) RATED**  
**CAUTION!** Do not exceed the maximum rated weight specified. Otherwise, serious injury or property damage may occur.

**VESA**  
75x75 | 100x100 | 200x100 | 200x200  
300x300 | 400x200 | 400x400



www.qualgear.com

■ 1 Year Limited Warranty

■ Version: December 2015

**NOTE** Please read the entire installation manual before you start installation and assembly.

## WARNING

- Do not begin to install your QualGear product until you have read and understood all the instructions and warnings contained in this installation manual. If you have any questions regarding the instructions, for US customers please contact QualGear customer support via email at support@qualgear.com. For all international customers, please contact your local distributor.
- This product should only be installed by someone of good mechanical aptitude, has experience with basic building construction, and fully understands these instructions.
- This product was designed to be installed and utilized only as specified in this manual. Improper installation of this product may cause damage or serious injury. QualGear is not liable for the improper use or installation of its products.
- Make sure that the supporting surface will safely support the combined load of the equipment and all attached hardware and components.
- Always use an assistant or mechanical lifting equipment to safely lift and position the equipment.
- Tighten screws firmly, but do not over tighten. Over tightening can damage the items, greatly reducing their holding power.
- ALL QUALGEAR products are intended for indoor use only and any outdoor use voids the limited warranty.
- ALL QUALGEAR products are designed and tested for residential use only and any commercial use voids the limited warranty. For warranty information, please visit <http://www.qualgear.com/warranty.php>.
- If mounting to wooden studs, make sure that mounting screws are anchored into the center of the studs. Use of an edge-to-edge stud finder is highly recommended.
- Never exceed the maximum rated weight specified in this manual.
- All bolts and screws must be used at the designated points in the installation instructions to prevent property damage and/or personal injury.
- DO NOT install near air conditioner vents or where there is excessive dust or smoke.
- When drilling holes in the wall, it is very important to take care of electrical cables, water, or gas pipes in the wall.

This product was designed to be installed on the following wall construction only:

### WALL CONSTRUCTION

Wooden Stud  
Wooden Beam  
Solid Concrete  
Brick  
Other

### HARDWARE REQUIRED

Included  
Included  
Included  
Included  
Contact Qualified Professional

## Parts Checklist

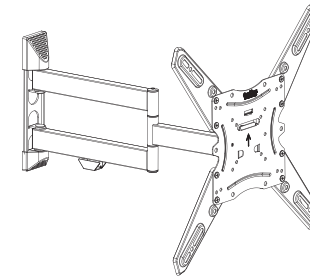
**IMPORTANT:** Before starting installation, please check that all parts shown in this checklist are included. If any parts are missing or damaged, contact your local distributor or support@qualgear.com for replacement parts and do not start assembly and installation until you receive all the parts.



HDMI Cable (x1)



3-Axis Magnetic Bubble Level (x1)

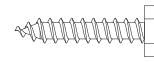


Wall Mount (x1)

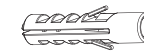


Wall Marking Template (x1)

## Hardware Package



M6.3x65mm Lag Bolts (x3)  
A



10x61mm Concrete/Brick Anchors (x3)  
B



D6 Washers (x3)  
C



D8.5xD17x10mm Spacers (x4)  
D



D5 Washers (x4)  
E



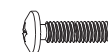
M4x10mm (x4)  
F



M4x20mm (x4)  
G



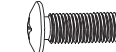
M5x10mm (x4)  
H



M5x20mm (x4)  
I



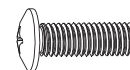
M6x10mm (x4)  
J



M6x20mm (x4)  
K



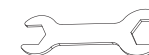
M8x10mm (x4)  
L



M8x20mm (x4)  
M



Allen Key (x1)  
N



Wrench (x1)  
O

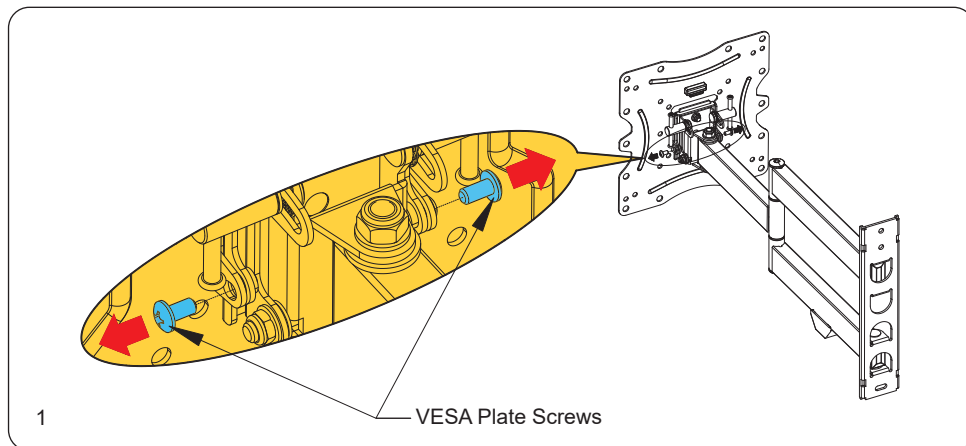


M6x8mm (x8)  
P

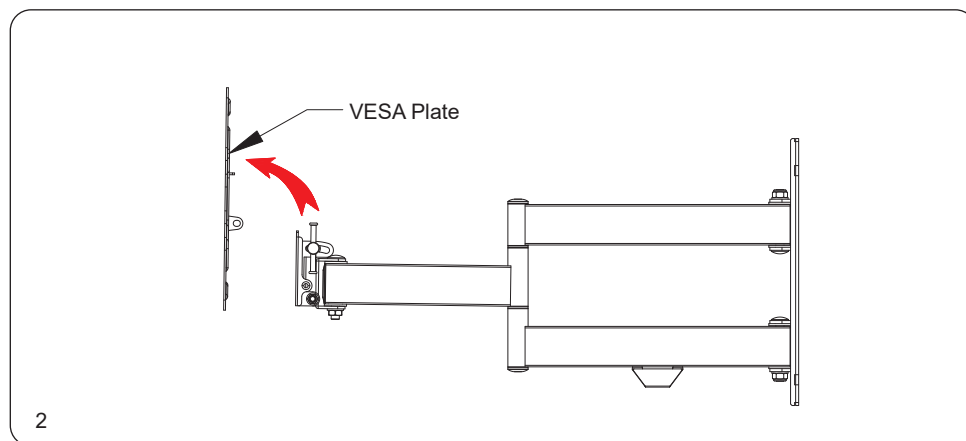


D6 Plastic Washers (x8)  
Q

## 1 Remove the VESA Plate



Loosen and remove the VESA plate screws on the VESA plate as shown above.

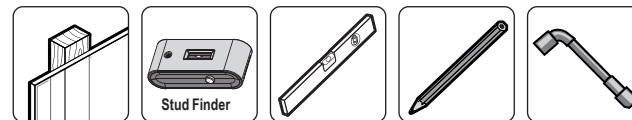


Lift and remove the VESA plate from the mount as shown above.

### ⚠ WARNING

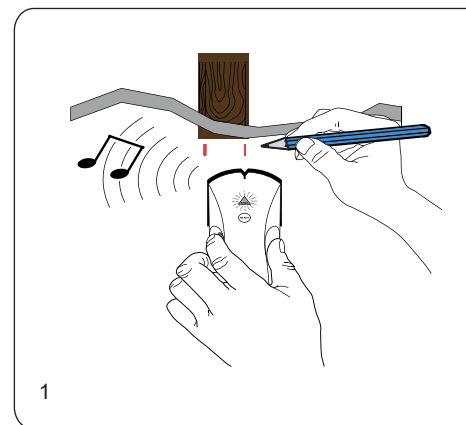
- Make sure that mounting screws are anchored into the center of the studs. The use of a stud finder is highly recommended.
- Installers are responsible to provide hardware for other types of mounting situations.
- Installers must verify that the supporting surface will safely support the combined weight of the equipment and all attached hardware and components.

## 2a Mounting to a Wooden Stud Wall

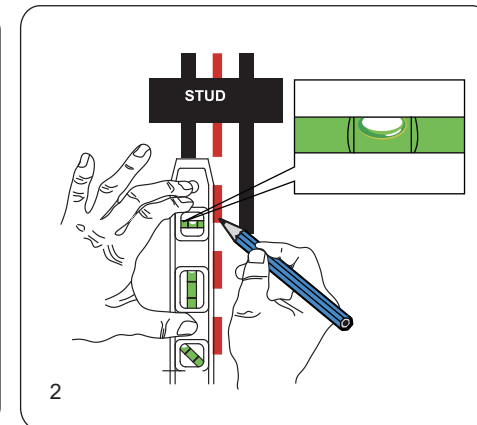


**NOTE**

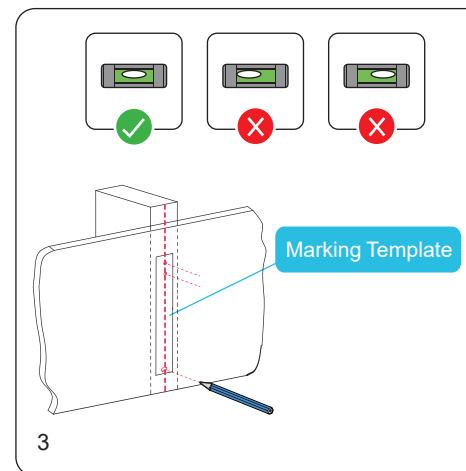
For concrete or brick wall mounting, follow Step 2b.



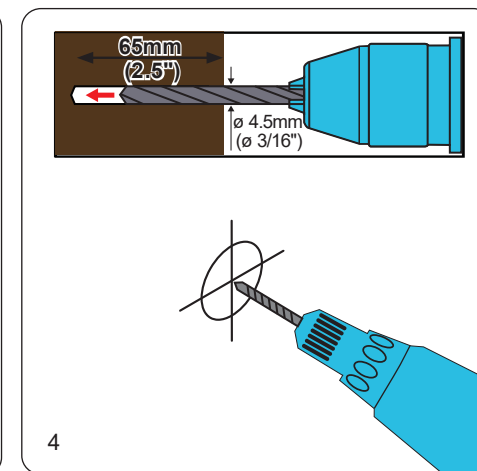
Using an edge-to-edge stud finder, find the edges of the stud.



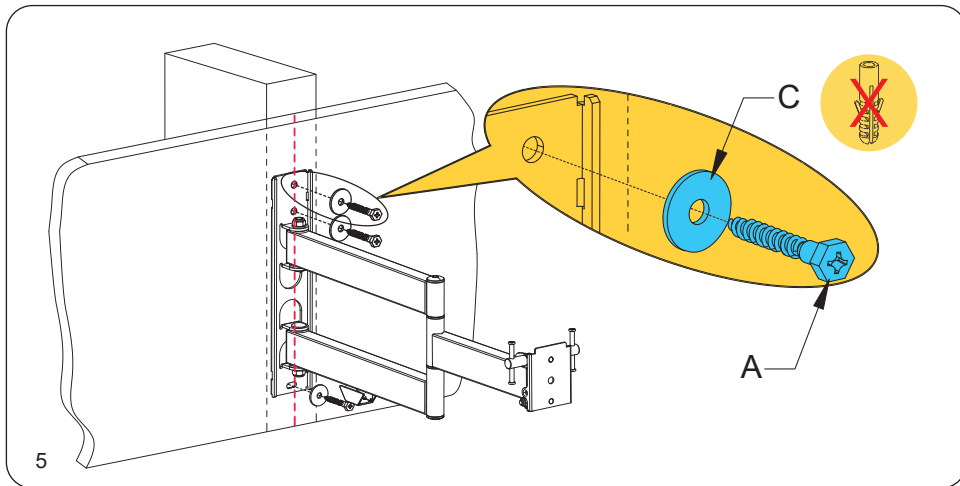
Using a level, mark the centerline of the stud.



Using the marking template provided, mark three holes for drilling on the centerline of the stud.



Using a power drill and 3/16" drill bit, drill pilot holes of 3/16" (4.5mm) diameter and at least 2.5" (65mm) depth at the marked locations in the previous step.



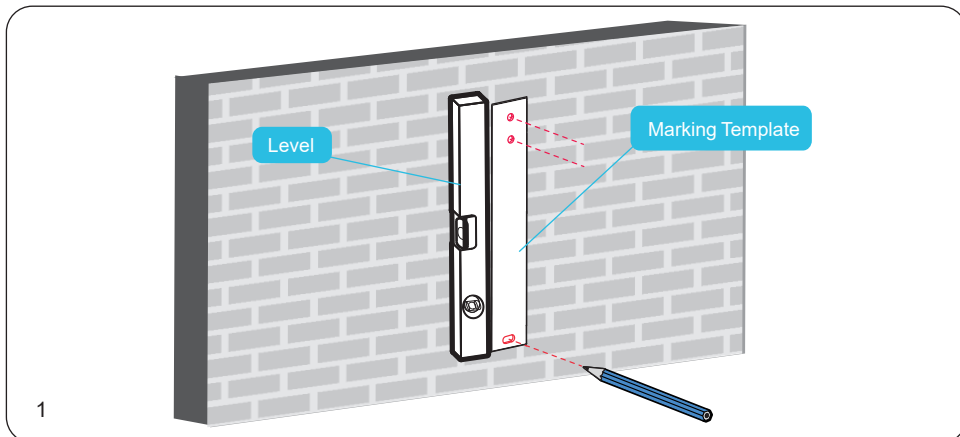
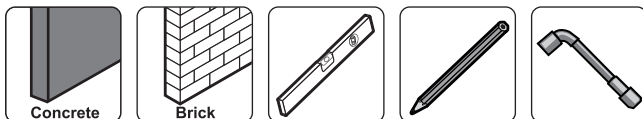
Mount the wall plate and tighten with the provided lag bolts (A) and D6 washers (C) using a socket wrench.

**NOTE**

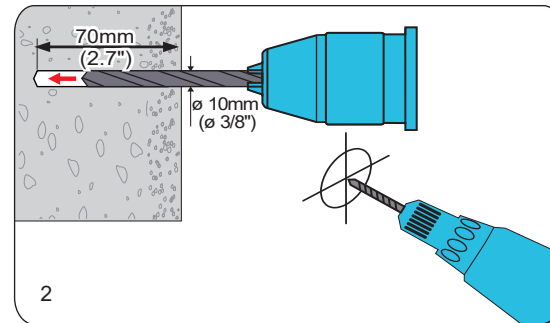
Do NOT use power drill and do NOT over tighten the lag bolts.  
Do NOT use concrete / brick anchors (B) for drywalls.

**SKIP TO STEP 3** →

**2b Mounting to a Concrete or a Brick Wall**



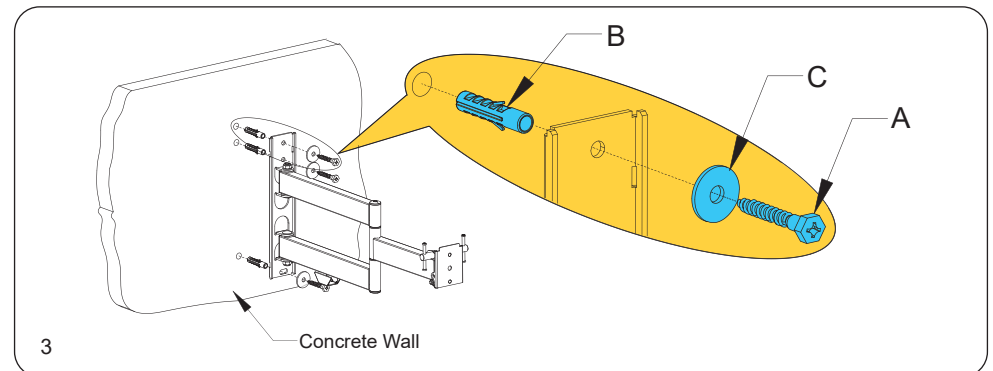
Hold the marking template provided against the wall where you want to install the TV, mark three holes for drilling.



Using a power drill and a 3/8" masonry drill bit, drill mounting holes of 3/8" (10mm) diameter and 2.7" (70mm) depth at the marked locations in the previous step.

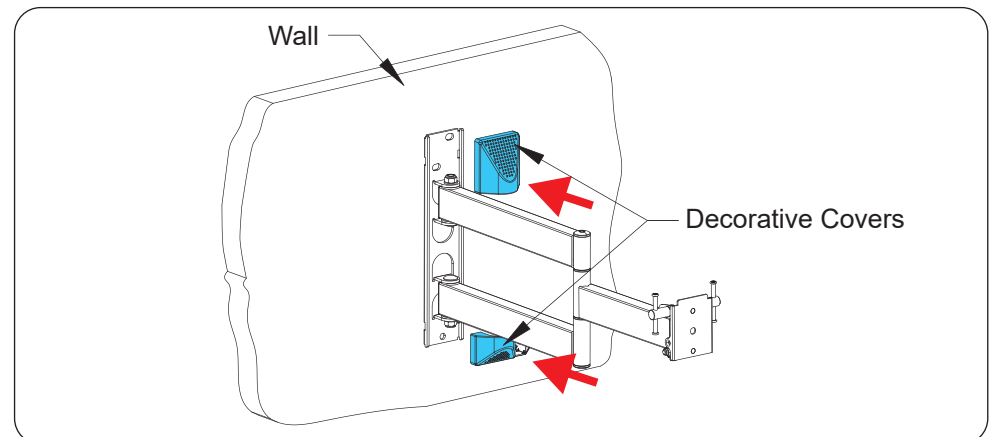
**! WARNING**

- Installers must verify that the supporting surface will safely support the combined weight of the equipment and all attached hardware and components.

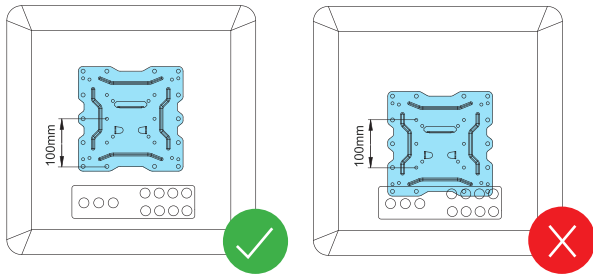


Place concrete anchors (B) in each hole. Tap each anchor flush with the wall using a hammer. Mount the wall plate and tighten with the provided lag bolts (A) and D6 washers (C) using a socket wrench.

**3 Installing the Decorative Covers**



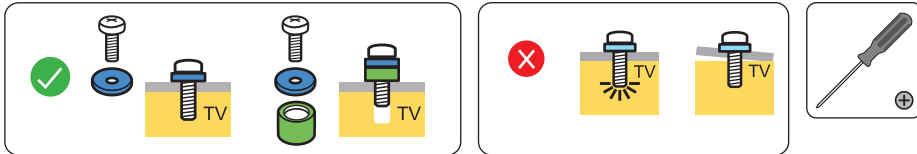
Insert the decorative covers along the wall plate rail until they fit snugly onto the wall plate.



**! CAUTION!**

For TVs with mounting hole patterns VESA 200x200mm or smaller, move the VESA plate up or down to select a different mounting position to avoid blocking the input panel on the back of the TV.

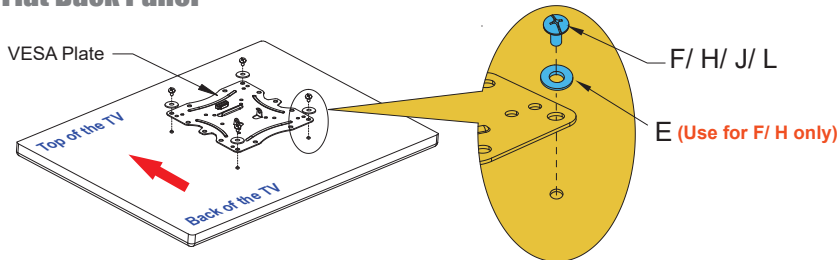
**4a Installing the VESA Plate**



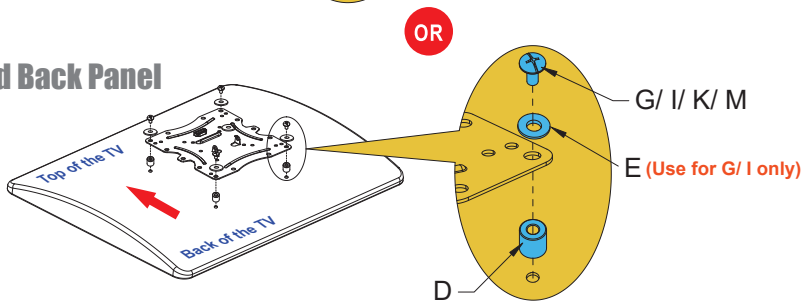
**For VESA: 200x200mm or smaller**

**!** Select the proper screw by hand tightening screws to check thread depth for your TV.

**Flat Back Panel**



**Curved Back Panel**



Choose the appropriate screws, washers, and spacers (if necessary) according to the type of your TV, attach the VESA plate to the back of the TV and tighten screws using a screwdriver.

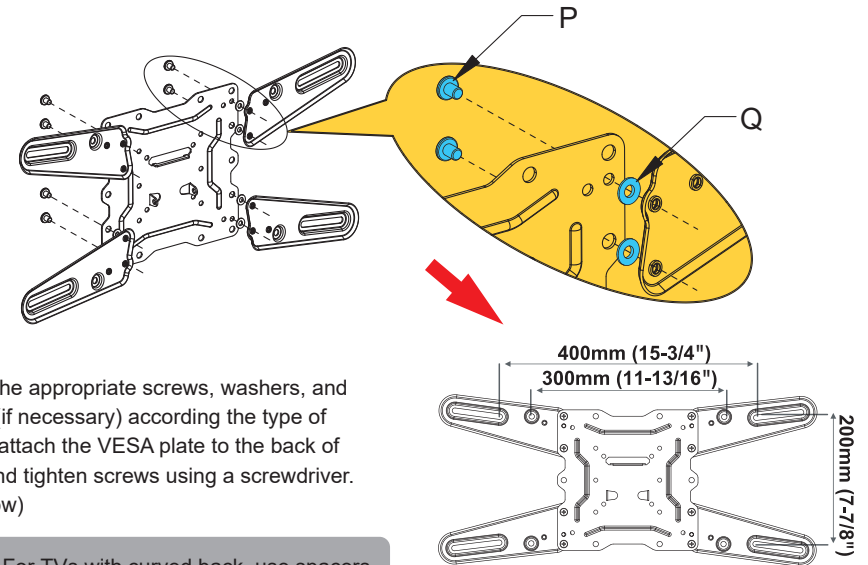
**NOTE** Tighten all screws but do NOT over tighten.

**SKIP TO STEP 5** →

**4b Installing the VESA Plate**

**For VESA: 300x200, 400x200mm**

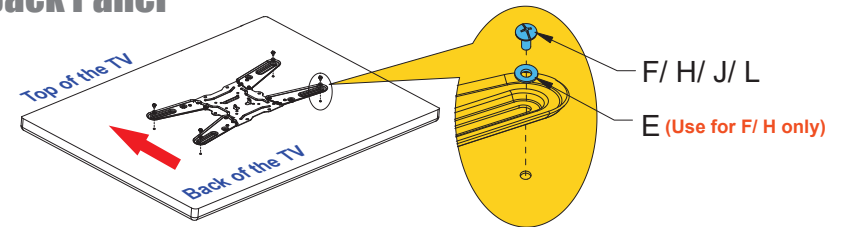
**!** For VESA 300x200mm, 400x200mm, attach extension arms as shown.



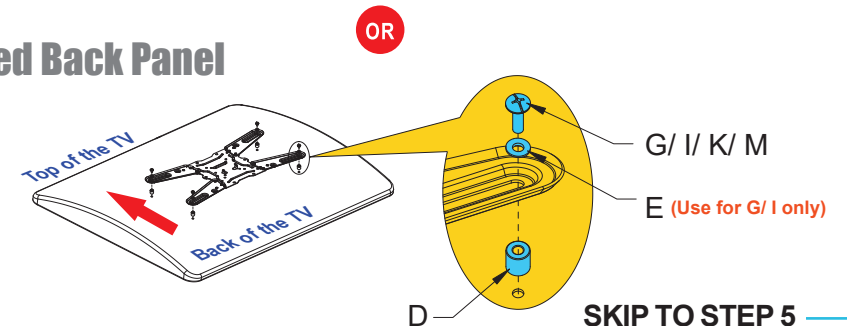
Choose the appropriate screws, washers, and spacers (if necessary) according to the type of your TV, attach the VESA plate to the back of the TV and tighten screws using a screwdriver. (see below)

**NOTE** For TVs with curved back, use spacers as needed. Use washers for M4 or M5 screws only.

**Flat Back Panel**



**Curved Back Panel**

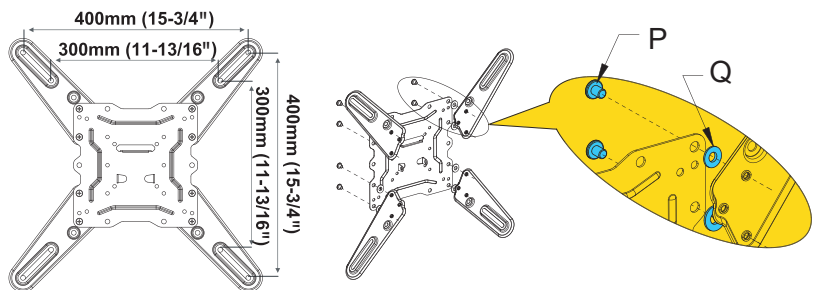


**SKIP TO STEP 5** →

## 4c Installing the VESA Plate

### For VESA: 300x300, 400x400mm

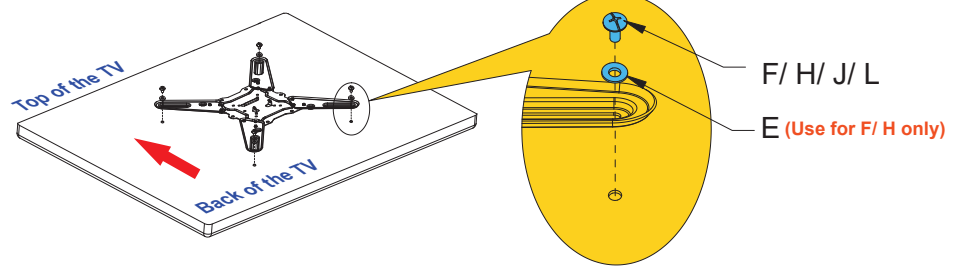
**!** For VESA 300x300mm, 400x400mm, attach extension arms as shown.



**NOTE** For TVs with curved back, use spacers as needed. Use washers for M4 or M5 screws only.

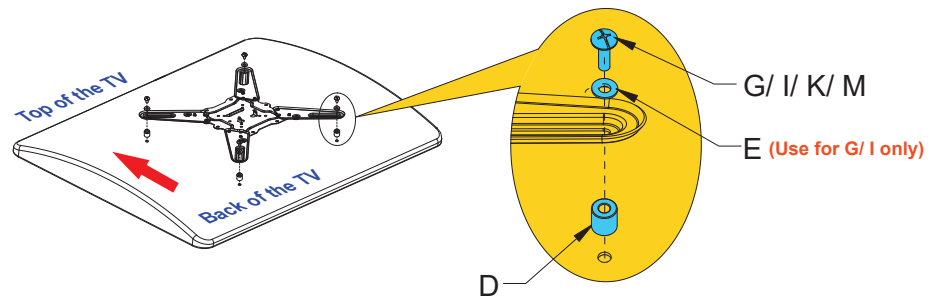
Choose the appropriate screws, washers, and spacers (if necessary) according to the type of your TV, attach the VESA plate to the back of the TV and tighten screws using a screwdriver. (see below)

### Flat Back Panel

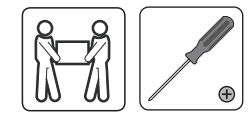
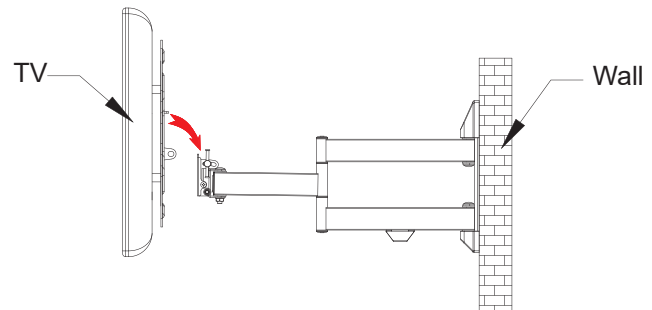


### Curved Back Panel

OR

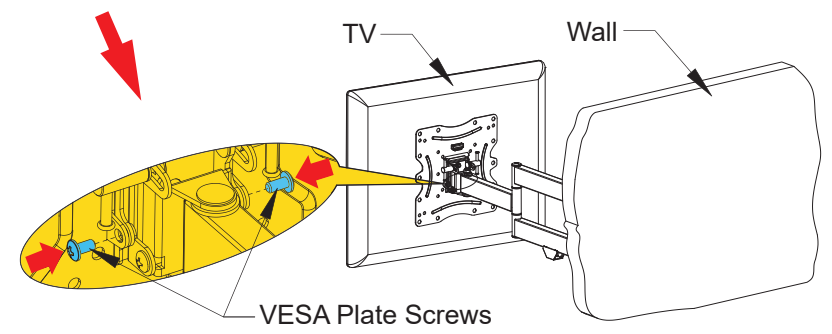


## 5 Hanging the TV onto the Wall Mount



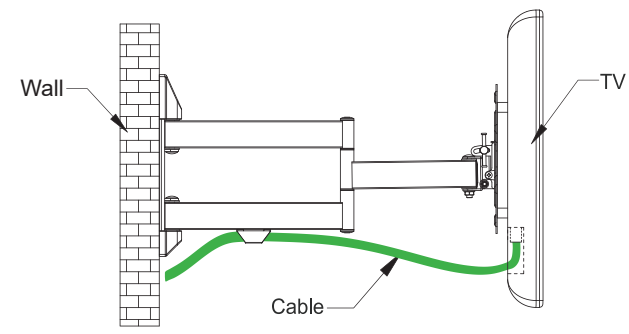
**!** **HEAVY!** Use an assistant for this step.

Using an assistant, hang the TV onto the wall bracket as shown above.



Then, while holding the TV securely by an assistant, ensure the VESA plate screws are tightened by using a screwdriver.

## 6 Cable Management



**NOTE** Keep the cables loose for cantilever arm movement.

To connect the cables to your TV, run the cables through the cable clip.