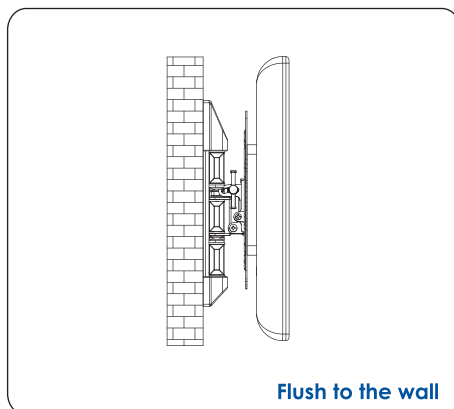
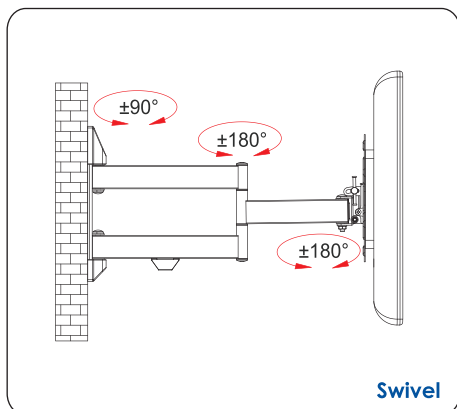
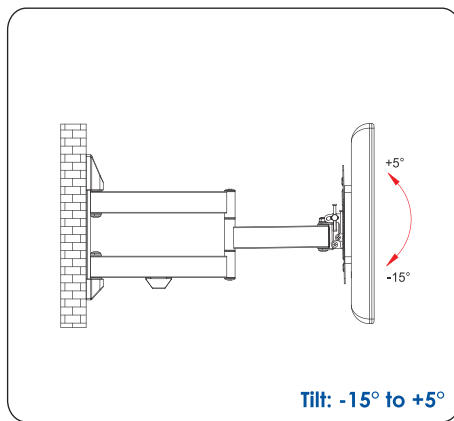
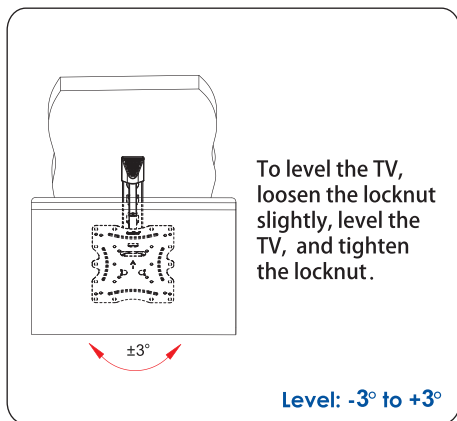


8 Adjustments



Maintenance

Please check that the TV wall mount is secure and safe to use at regular intervals. If you have any questions regarding any of the instructions or warnings, please contact your local distributor (OR) contact QualGear technical support via email at support@qualgear.com.

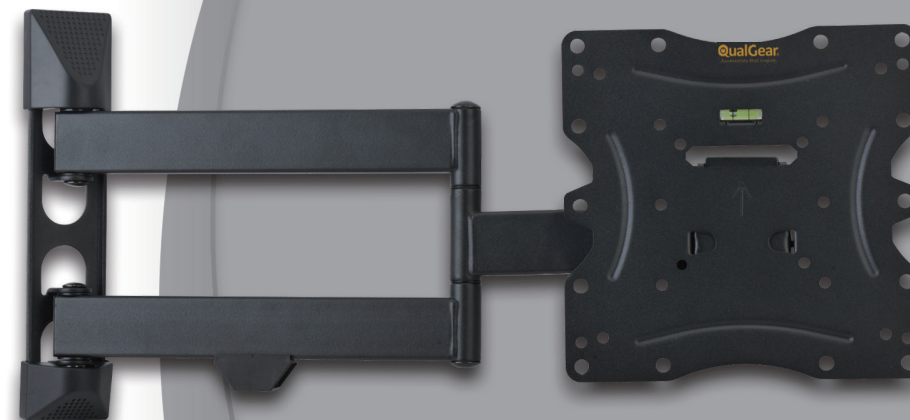
QualGear®

Accessories that Inspire.

QG-TM-020-BLK

INSTALLATION MANUAL

ULTRA LOW PROFILE ARTICULATING TV WALL MOUNT



42" MAX
For Most 23" to 42" Flat Screen TVs and Monitors

30kg (66lbs) RATED
CAUTION! Do not exceed the maximum rated weight specified. Otherwise, serious injury or property damage may occur.

VESA
75x75 | 100x100 | 200x100 | 200x200



www.qualgear.com

■ 1 Year Limited Warranty

■ Version: September 2015

NOTE Please read the entire installation manual before you start installation and assembly.

WARNING

- Do not begin to install your QualGear product until you have read and understood all the instructions and warnings contained in this installation manual. If you have any questions regarding the instructions, for US customers please contact QualGear customer support via email at support@qualgear.com. For all international customers, please contact your local distributor.
- This product should only be installed by someone of good mechanical aptitude, has experience with basic building construction, and fully understands these instructions.
- This product was designed to be installed and utilized only as specified in this manual. Improper installation of this product may cause damage or serious injury. QualGear is not liable for the improper use or installation of its products.
- Make sure that the supporting surface will safely support the combined load of the equipment and all attached hardware and components.
- Always use an assistant or mechanical lifting equipment to safely lift and position the equipment.
- Tighten screws firmly, but do not over tighten. Over tightening can damage the items, greatly reducing their holding power.
- ALL QUALGEAR products are intended for indoor use only and any outdoor use voids the limited warranty.
- ALL QUALGEAR products are designed and tested for residential use only and any commercial use voids the limited warranty. For warranty information, please visit <http://www.qualgear.com/warranty.php>.
- If mounting to wooden studs, make sure that mounting screws are anchored into the center of the studs. Use of an edge-to-edge stud finder is highly recommended.
- Never exceed the maximum rated weight specified in this manual.
- All bolts and screws must be used at the designated points in the installation instructions to prevent property damage and/or personal injury.
- DO NOT install near air conditioner vents or where there is excessive dust or smoke.
- When drilling holes in the wall, it is very important to take care of electrical cables, water, or gas pipes in the wall.

This product was designed to be installed on the following wall construction only:

WALL CONSTRUCTION

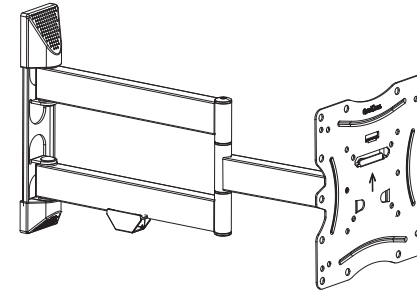
Wooden Stud
Wooden Beam
Solid Concrete
Brick
Other

HARDWARE REQUIRED

Included
Included
Included
Included
Contact Qualified Professional

Parts Checklist

IMPORTANT: Before starting installation, please check that all parts shown in this checklist are included. If any parts are missing or damaged, contact your local distributor or support@qualgear.com for replacement parts and do not start assembly and installation until you receive all the parts.

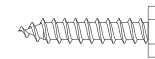


Wall Mount (x1)

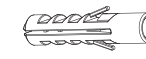


Wall Marking Template (x1)

Hardware Package



M6.3x65mm Lag Bolts (x3)
A



10x61mm Concrete/Brick Anchors (x3)
B



D6 Washers (x3)
C



D8.5xD17x10mm Spacers (x4)
D



25x25mm Shims (x4)
E



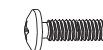
M4x10mm (x4)
F



M4x20mm (x4)
G



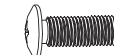
M5x10mm (x4)
H



M5x20mm (x4)
I



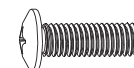
M6x10mm (x4)
J



M6x20mm (x4)
K



M8x10mm (x4)
L



M8x20mm (x4)
M

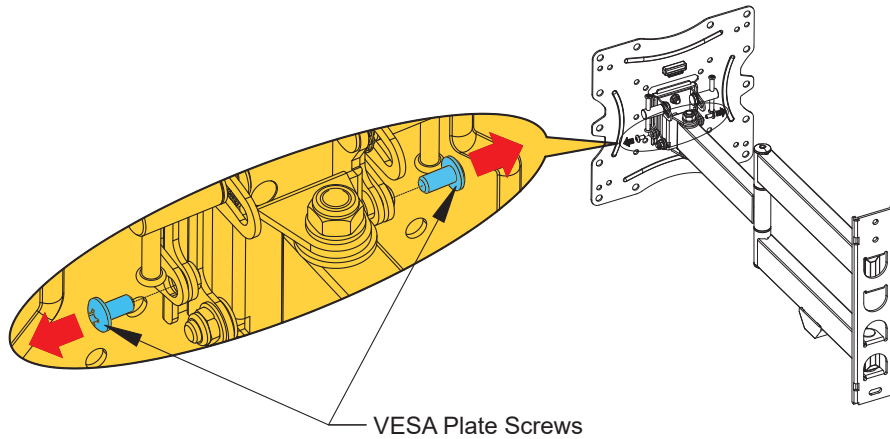


Allen Key (x1)
N

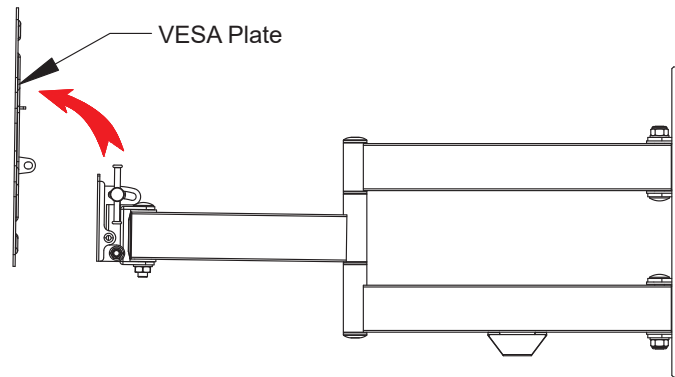


Wrench (x1)
O

1 Remove the VESA Plate



Loosen and remove the VESA plate screws on the VESA plate as shown above.

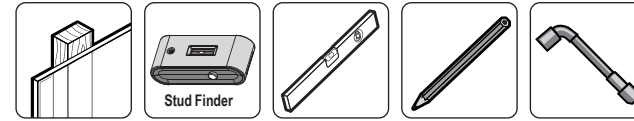


Lift and remove the VESA plate from the mount.

WARNING

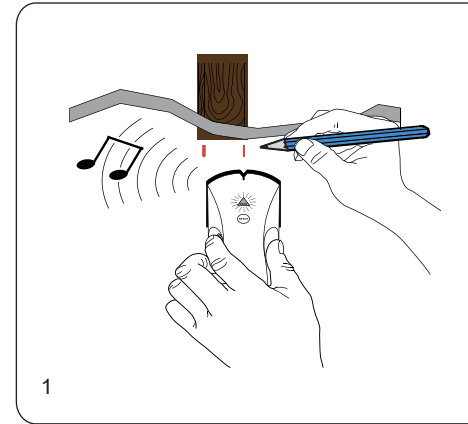
- Make sure that mounting screws are anchored into the center of the studs. The use of a stud finder is highly recommended.
- Installers are responsible to provide hardware for other types of mounting situations.
- Installers must verify that the supporting surface will safely support the combined weight of the equipment and all attached hardware and components.

2a Mounting to a Wooden Stud Wall



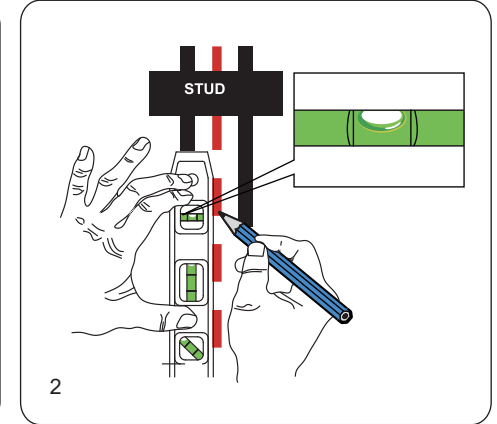
NOTE

For concrete or brick wall mounting, follow Step 2b.



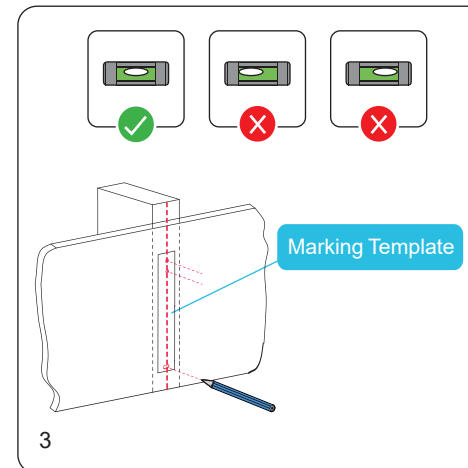
1

Using an edge-to-edge stud finder, find the edges of the stud.



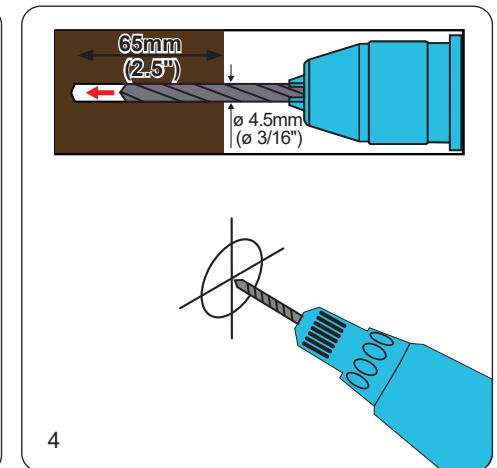
2

Using a level, mark the centerline of the stud.



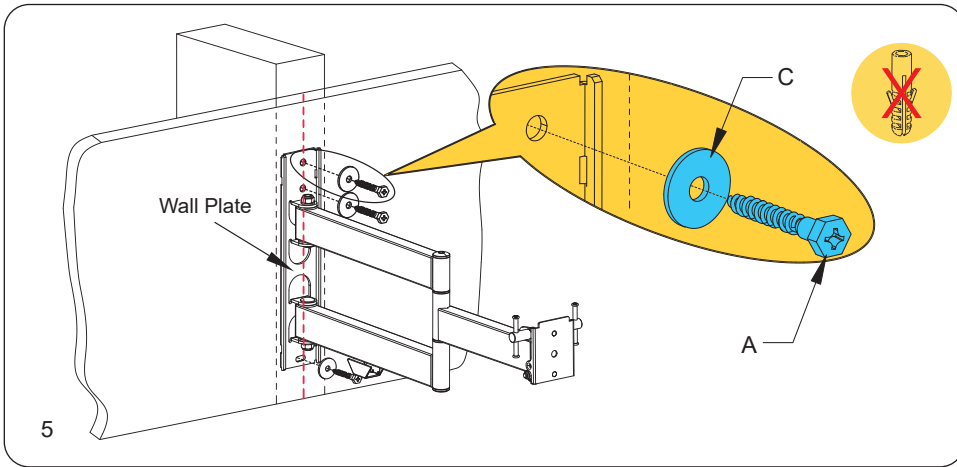
3

Using the marking template provided, mark three holes for drilling on the centerline of the stud.



4

Using a power drill and 3/16" drill bit, drill pilot holes of 3/16" (4.5mm) diameter and at least 2.5" (65mm) depth at the marked locations in the previous step.



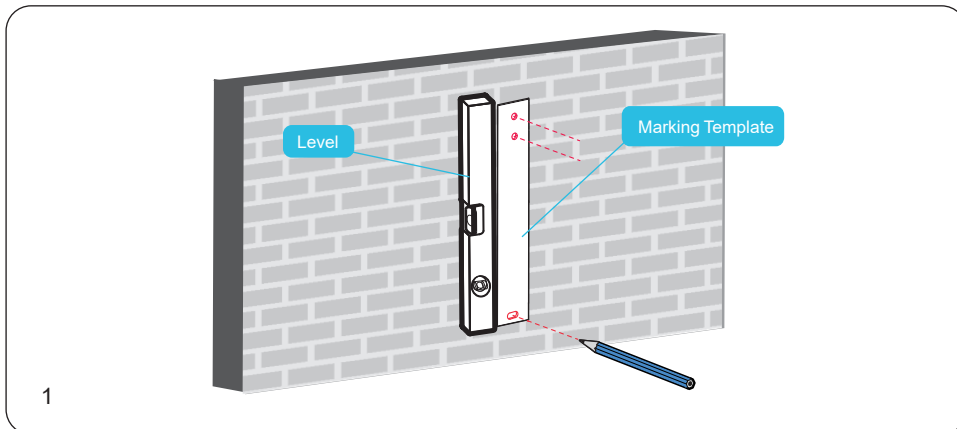
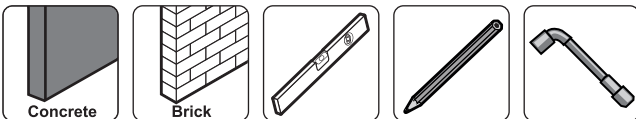
Mount the wall plate and tighten with the provided lag bolts (A) and D6 washers (C) using a socket wrench.

NOTE

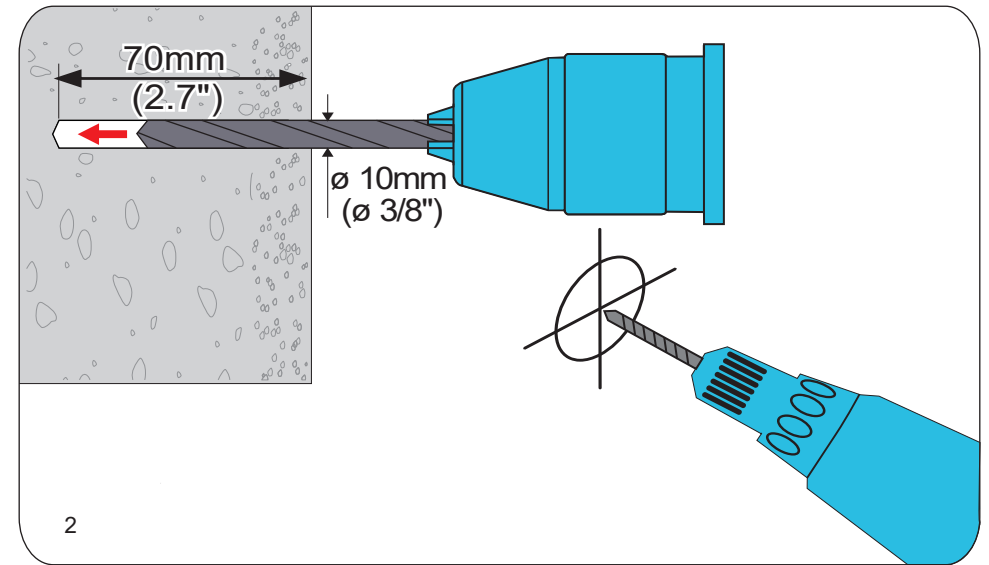
Do NOT use power drill and do NOT over tighten the lag bolts.
Do NOT use concrete / brick anchors (B) for drywalls.

SKIP TO STEP 3 →

2b Mounting to a Concrete or a Brick Wall



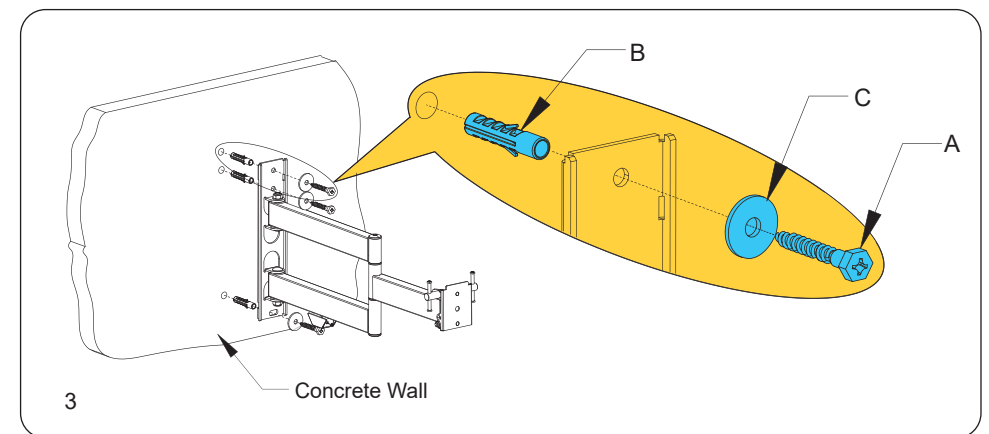
Hold the marking template provided against the wall where you want to install the TV, mark three holes for drilling.



Using a power drill and a 3/8" masonry drill bit, drill mounting holes of 3/8" (10 mm) diameter and 2.7" (70 mm) depth at the marked locations in the previous step.

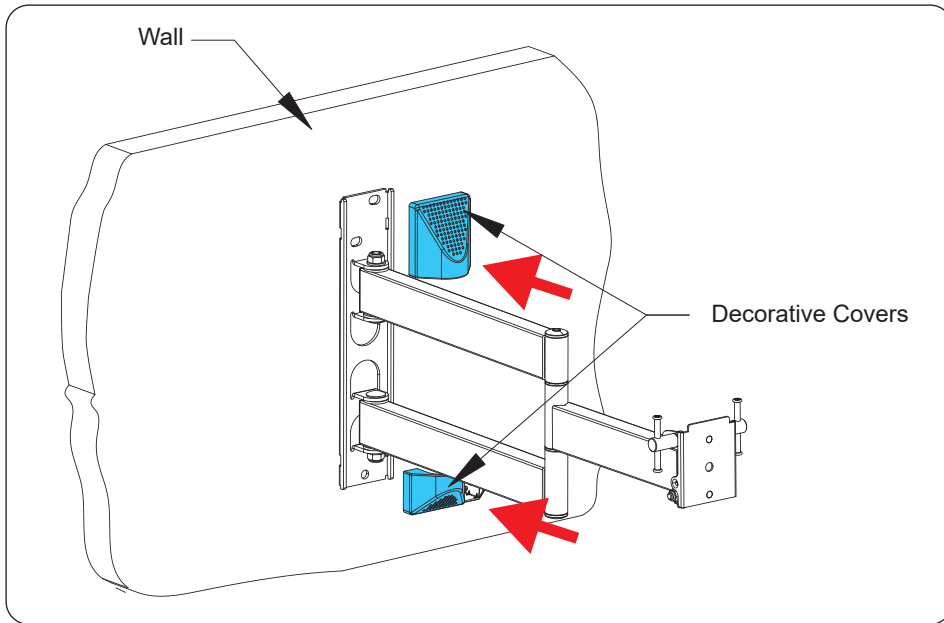
! WARNING

- Installers must verify that the supporting surface will safely support the combined weight of the equipment and all attached hardware and components.



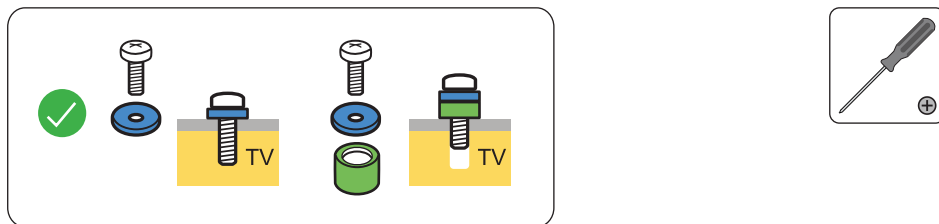
Place concrete anchors (B) in each hole. Tap each anchor flush with the wall using a hammer. Mount the wall plate and tighten with the provided lag bolts (A) and D6 washers (C) using a socket wrench.

3 Installing the Decorative Covers

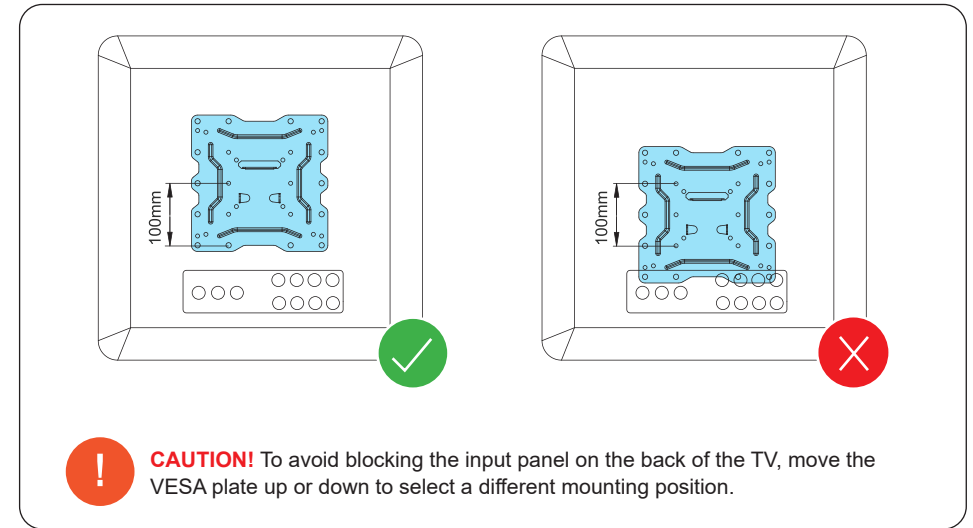
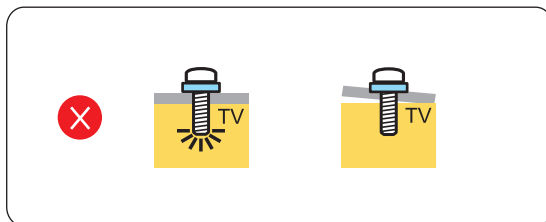


Insert the decorative covers along the wall plate rail until they fit snugly onto the wall plate.

4 Installing the VESA Plate onto the TV

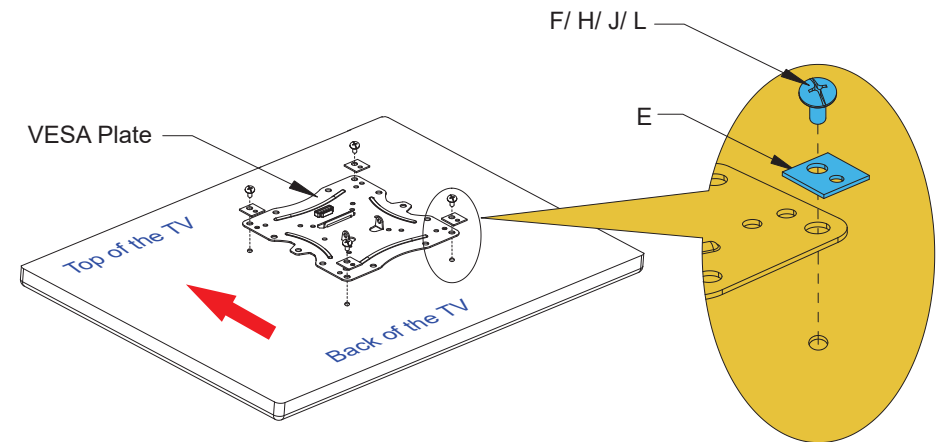


! Select the proper screw by hand tightening screws to check thread depth for your TV.

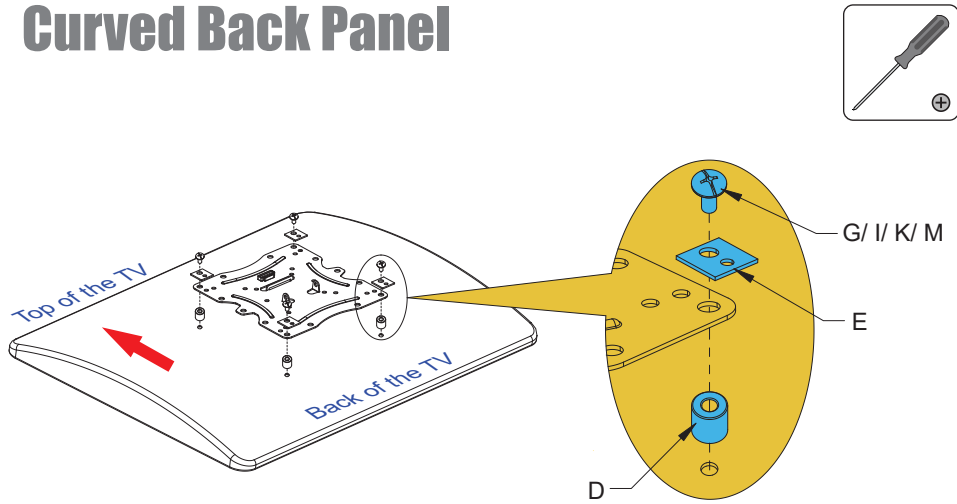


Flat Back Panel

Choose the appropriate screws according to the type of your TV, and add shims (E) if necessary, attach the VESA plate to the back of the TV and tighten screws using a screwdriver.



Curved Back Panel

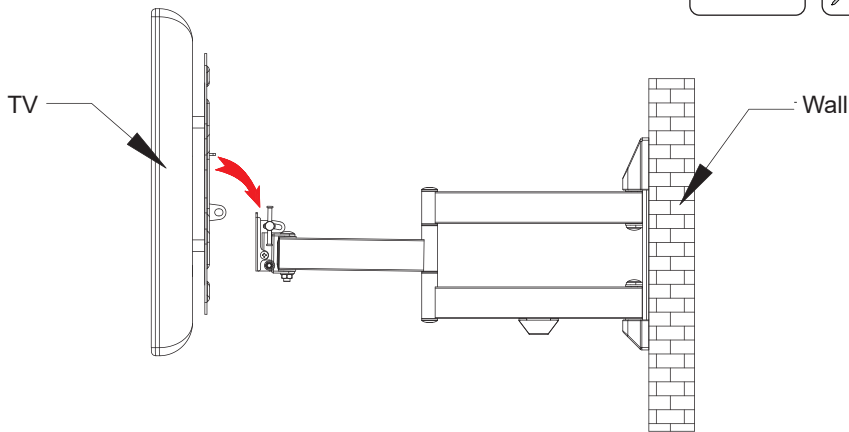
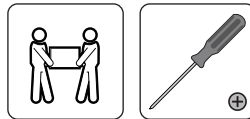


Choose the appropriate screws according to the type of your TV, add shims (E) and spacers (D) if necessary, then attach the VESA plate to the back of the TV and tighten screws using a screwdriver.

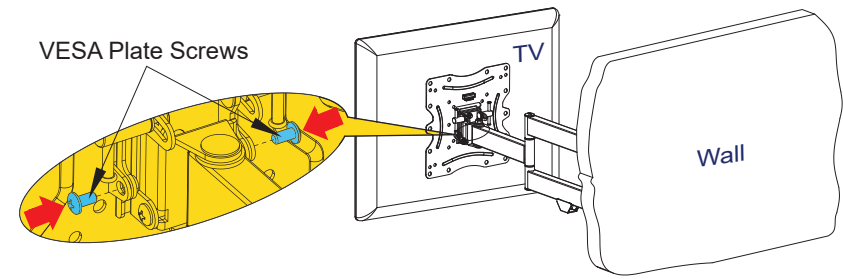
NOTE Tighten all screws but do NOT over tighten.

5 Hanging the TV onto the Wall Mount

! HEAVY!
Use an assistant for this step.

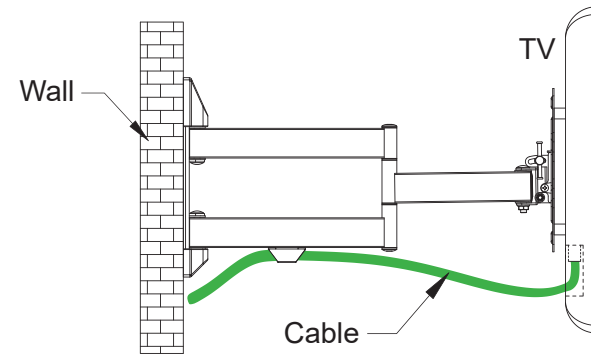


Using an assistant, hang the TV onto the wall bracket as shown above.



While holding the TV securely by an assistant, ensure the VESA plate screws are tightened by using a screwdriver.

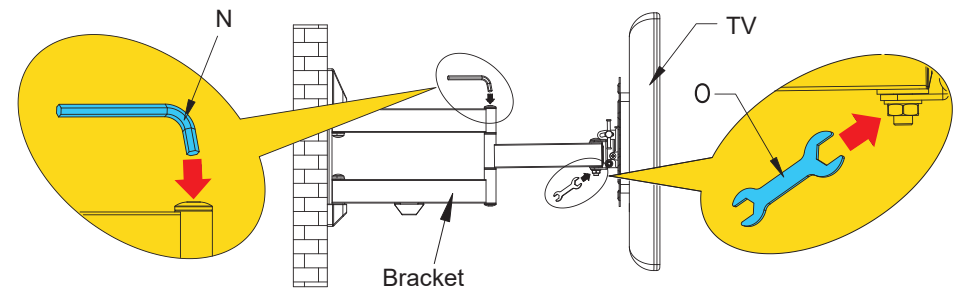
6 Cable Management



Connect the cables to your TV, and run the cables through the cable clip.

NOTE Leave slack in the cables for cantilever arm movement.

7 Adjusting the TV



NOTE Tighten all bolts and screws after adjusting the TV.

Tension was preset at the factory. To adjust tension, loosen or tighten arm adjustment bolts using allen key (N) and wrench (O). TV or monitor can be adjusted to desired location by tilting and swiveling the bracket.