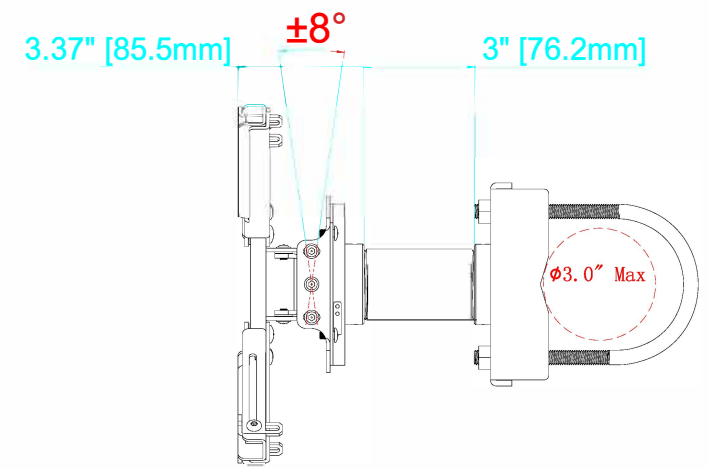
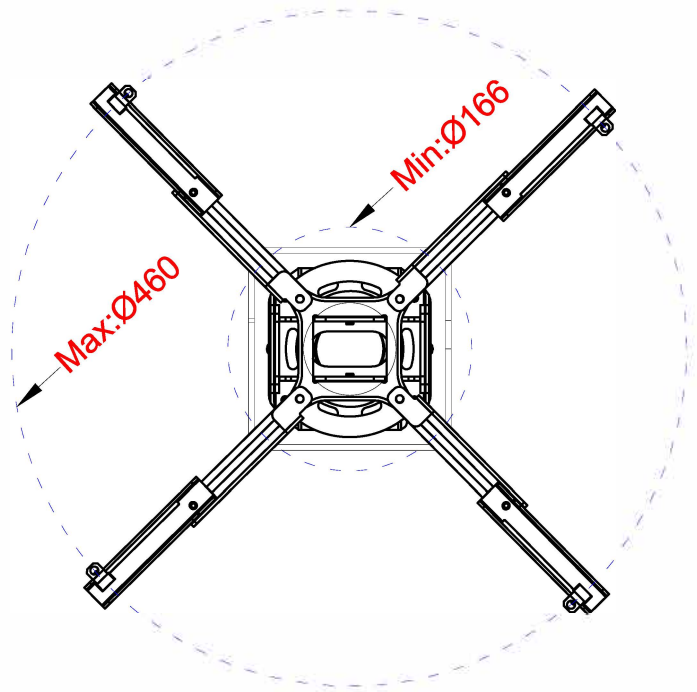
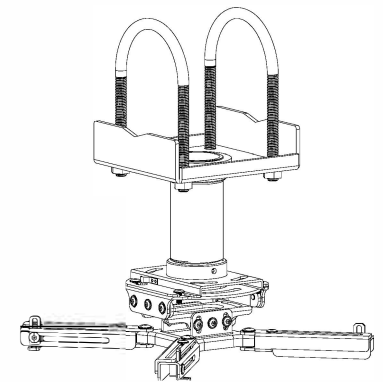
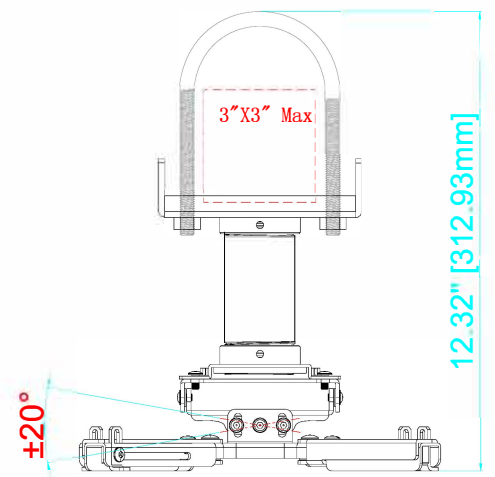


REV	DESCRIPTION	DRW	DATE
-----	-------------	-----	------

Maximum load rating: 70 lbs



QualGear LLC	
QG-KIT-TA-3IN	UNIT: INCH[MM]
PROJECTION	
	SCALE: 1:1