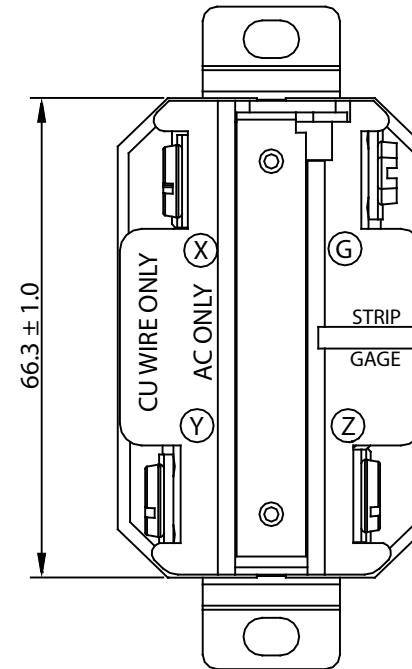
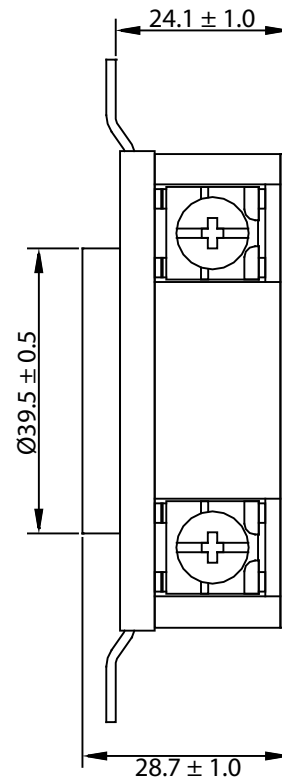
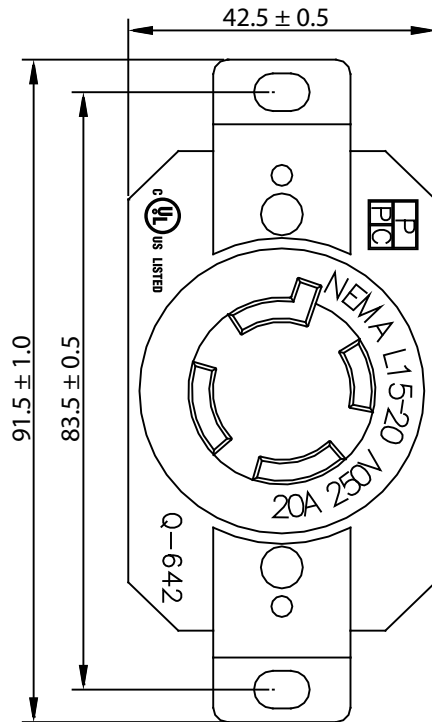


THESE DRAWINGS ARE THE PROPERTY OF QUALTEK ELECTRONICS AND NOT TO BE REPRODUCED FOR OR COMMUNICATED TO A THIRD PARTY WITHOUT THE EXPRESS WRITTEN PERMISSION OF AN OFFICER OF QUALTEK ELECTRONICS.

REVISION			
REV.	DESCRIPTION	DATE	APPROVED



NOTES:

1. RATING: 20A 250VAC
2. COLOR: BLACK
3. ACCEPTS #14AWG THROUGH #10AWG WIRE
4. APPROVALS: UL/cUL LISTED
5. ROHS COMPLIANT

**CONTROLLED**

Dim range (mm)	Tolerance +/- (mm)	Qualtek Electronics Corp. PPC DIVISION		
		Part Number:	Q-642	<span style="border: 1px solid green; padding: 2px;">RoHS Compliant</span>
0-1	0.15	Description: NEMA L15-20R TWIST-LOCK RECEPTACLE		
1-6	0.20	UNIT: mm		
6-18	0.30			
18-50	0.50	Drawn / Date	Checked / Date	Approved / Date
50-120	0.70	R.Nuti 08-25-09	08-25-09	LY / 08-25-09
120-250	0.90			
250-500	1.20			