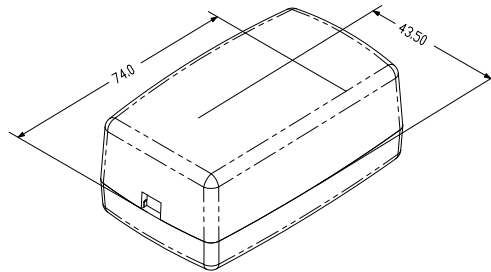
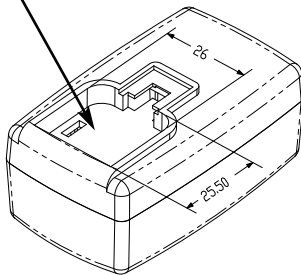


PROPRIETARY INFORMATION:
 PROPRIETARY OF GLOBTEK, INC. ANY REPRODUCTION, DISCLOSURE OR USE OF THIS DRAWING, IN WHOLE OR IN PART, IS HEREBY PROHIBITED EXCEPT AS SPECIFIED IN WRITING BY GLOBTEK, INC.

REVISION			
REV	DESCRIPTION	DATE	APPROVED
A	INITIAL RELEASE, RFS.6841, DMR	08/11/05	DMR
B	ADD PACKING, ROHS, RFS. 11825, MS	08/22/07	HM
C	ADD CARTON PACKING DETAIL, RFS. 12511, JS	11/26/07	HM
D	ADD MECHANICAL DRAWING, RFS. 13904, HM	06/17/08	HM
E	REVISE DESCRIPTION, I/P CONNECTOR, RFS.18364, SO	03/31/10	HM
F	REVISE DIMENSIONAL DRAWING, PAGE 1, RFS.24786, BS	05/14/13	HM



STANDARD OPTION SHIPS WITHOUT AC PINS INSTALLED

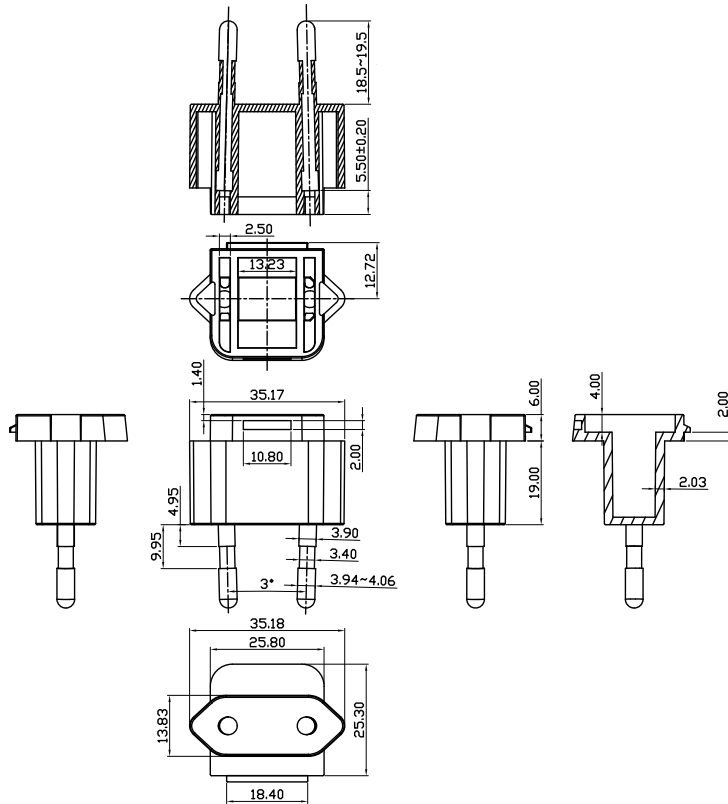


1. MATERIAL

HIGH IMPACT PLASTIC, 94V0 POLYCARBONATE, NON-VENTED, COLOR BLACK

2. INPUT CONNECTOR:

EUROPEAN CONFIGURATION CEE 7/16: EUROPLUG 2 PINS, CLASS II



P/N: Q-EU(R)

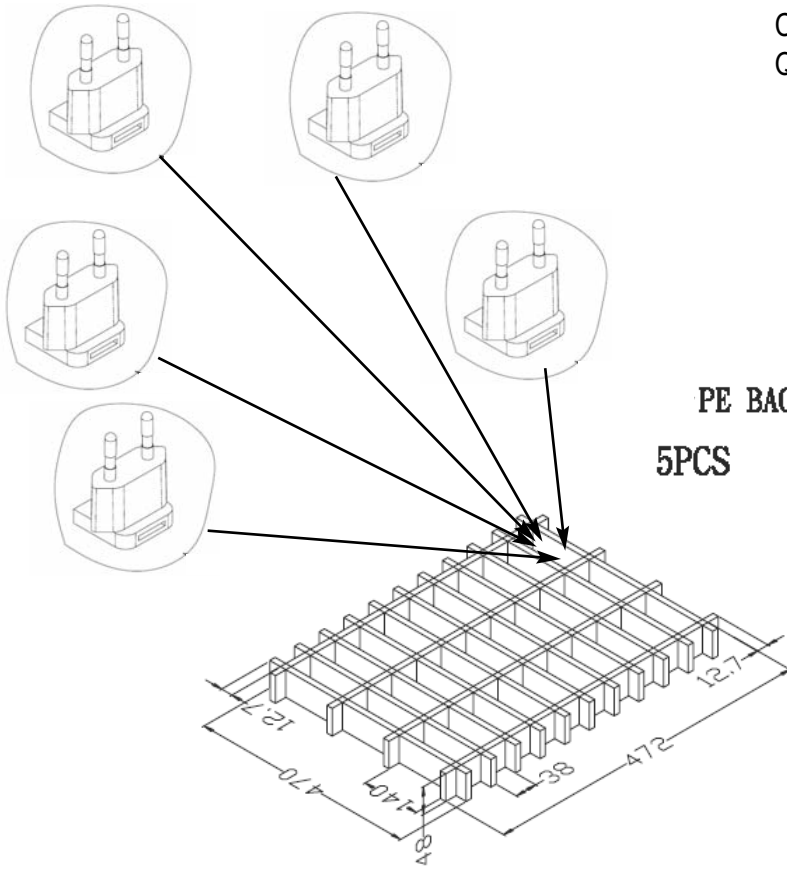
EUROPE
SOUTH AMERICA

Foot Note:	DASH NO.	PART NO	REV.	DESCRIPTION	NOTES
Globtek Inc. will not be liable for the safety and performance of these power supplies if unauthorized access and repair occurs. End user should consult applicable UL, CSA or EN standards for proper installation instructions				TABULATION BLOCK	
Limitation of Use: Globtek product are not authorized for use as mission critical components in life support, hazardous environment, nuclear or aircraft applications without prior written approval from the CEO of Globtek Inc.				GlobTek, Inc. www.globtek.com	186 Veterans Dr. Northvale, NJ 07647 Tel. 201-784-1000 Fax 201.784.0111
	INIT.BY: DMR	DATE: 08/11/05		MILLIMETERS ANGULAR .xx +/- 0.3 .xxx +/- .013	DWG TITLE: EUROPE INTERCHANGEABLE INPUT BLADES
	DRAWN: NF	DATE: 08/11/05	FSCN No.: G, N	SIZE A	MODEL NO: N/A
	APRVD : DMR	DATE: 08/11/05	SCALE: NONE		PART NO: Q-EU(R)
					REV. F SHEET 1 OF 4

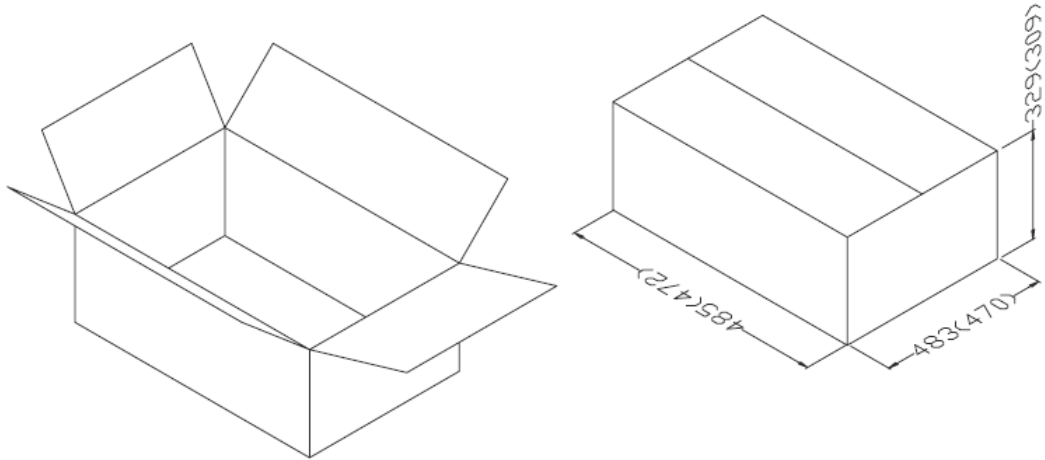
PROPRIETARY INFORMATION:
 PROPRIETARY OF GLOBTEK, INC. ANY REPRODUCTION, DISCLOSURE OR
 USE OF THIS DRAWING, IN WHOLE OR IN PART, IS HEREBY
 PROHIBITED EXCEPT AS SPECIFIED IN WRITING BY GLOBTEK, INC.

3. PACKING:

CARTON SIZE: 485 x 483 x 329
 Q'TY: 900 pcs (150 x 6)

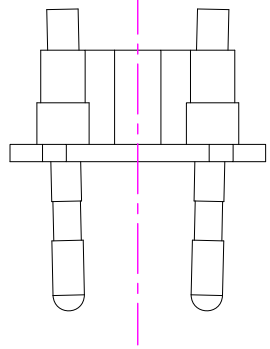
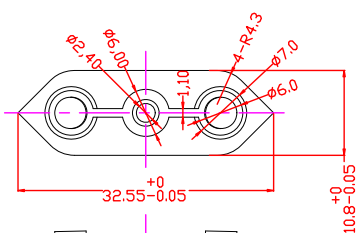
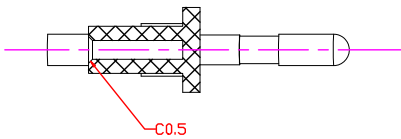
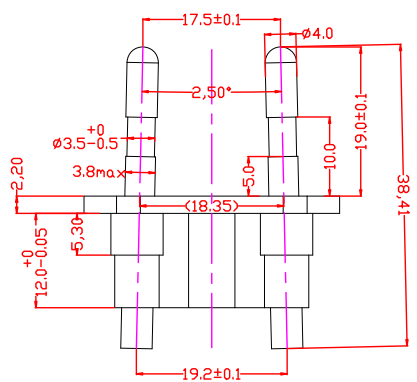
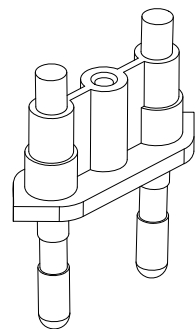
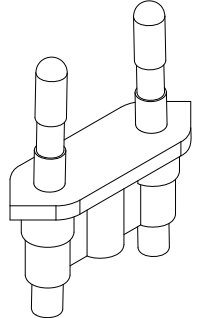



PE BAG(SIZE:80X200)
 5PCS



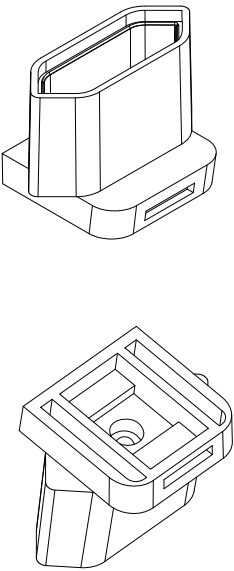
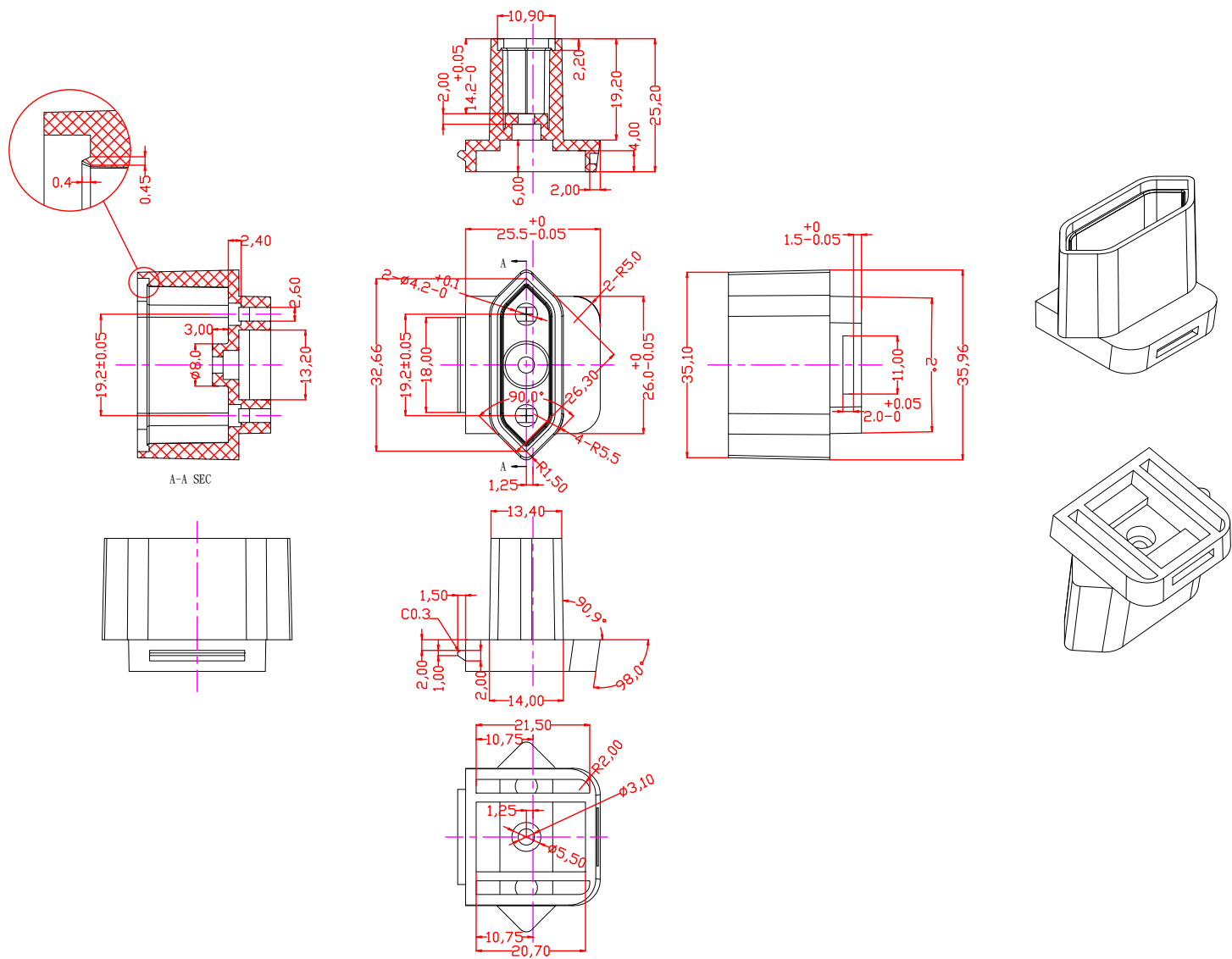
 GlobTek, Inc. www.globtek.com	186 Veterans Dr. Northvale, NJ 07647 Tel. 201-784-1000 Fax 201.784.0111
	DWG TITLE: EUROPE INTERCHANGEABLE INPUT BLADES
MODEL NO: N/A	REV. F
PART NO: Q-EU(R)	SHEET 2 OF 4

PROPRIETARY INFORMATION:
 PROPRIETARY OF GLOBTEK, INC. ANY REPRODUCTION, DISCLOSURE OR
 USE OF THIS DRAWING, IN WHOLE OR IN PART, IS HEREBY
 PROHIBITED EXCEPT AS SPECIFIED IN WRITING BY GLOBTEK, INC.



 GlobTek, Inc. www.globtek.com		186 Veterans Dr. Northvale, NJ 07647 Tel. 201-784-1000 Fax 201.784.0111	
DWG TITLE: EUROPE INTERCHANGEABLE INPUT BLADES			
MODEL NO: N/A			REV. F
PART NO: Q-EU(R)			SHEET 3 OF 4

PROPRIETARY INFORMATION:
 PROPRIETARY OF GLOBTEK, INC. ANY REPRODUCTION, DISCLOSURE OR
 USE OF THIS DRAWING, IN WHOLE OR IN PART, IS HEREBY
 PROHIBITED EXCEPT AS SPECIFIED IN WRITING BY GLOBTEK, INC.



GlobTek, Inc. 186 Veterans Dr. Northvale, NJ 07647 www.globtek.com Tel. 201-784-1000 Fax 201.784.0111	
DWG TITLE: EUROPE INTERCHANGEABLE INPUT BLADES	
MODEL NO: N/A	REV. F
PART NO: Q-EU(R)	SHEET 4 OF 4