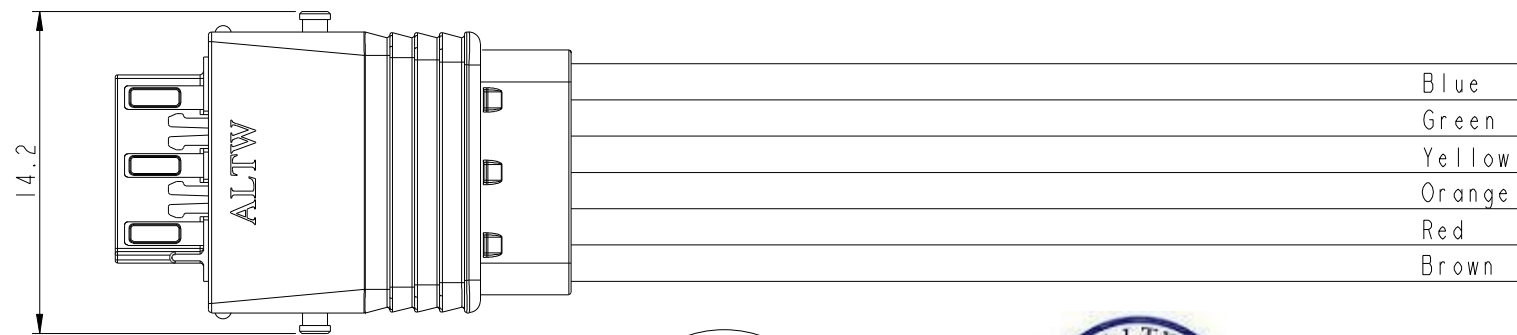
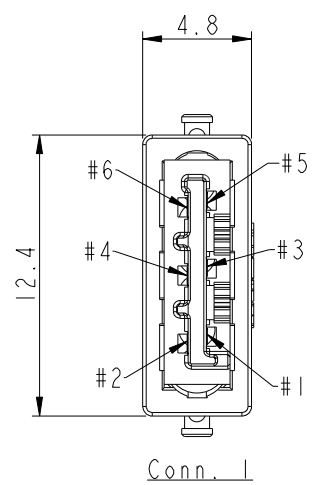
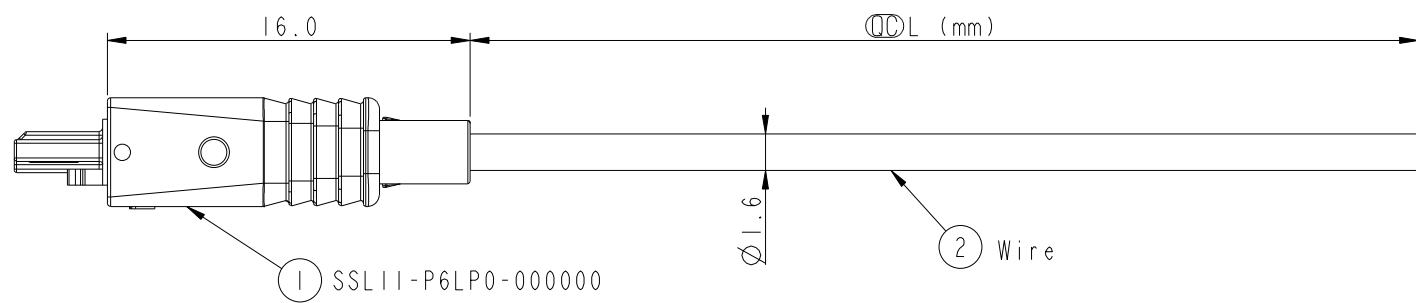


THIS DOCUMENT IS SUBJECT TO CHANGE WITHOUT NOTICE. IT IS CONFIDENTIAL AND A PROPERTY OF Amphenol LTW. DISCLOSURE TO THIRD PARTY HAS TO BE AUTHORIZED BY Amphenol LTW.

REV.	ECN NO.	DATE	SIGN	DESCRIPTION
A	Initial Release	2014-02-11	Fisher	Initial Release

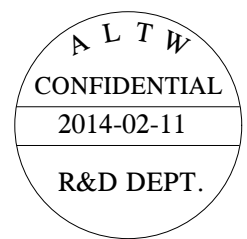


SSL11-P6LP0-022AXX

01: L=100±20 mm.
 02: L=200±20 mm.
 04: L=400±25 mm.
 Standard Length is 400mm
 Wire Length Range(L): 100~9900mm

22: 22AWG

LOCK&LATCH OPTION
 0: W/O LOCK



Notes:

- * (QC) Important Dimensions To Check.
- * Housing: Thermoplastic, UL94V-0, Natural White.
- * Terminal: Copper Alloy, Gold Plated.
- * Hood: Thermoplastic, UL94V-0, Natural White.
- * SR Mold: PP, UL94V-0, Natural White.
- * Wire: UL1430 22AWG, Brown/Red/Orange/Yellow/Green/Blue.
- * Wire Length Tolerance: ±5%mm.

6	Blue	藍
5	Green	綠
4	Yellow	黃
3	Orange	橙
2	Red	紅
1	Brown	棕
Conn. 1	Wire Color	

Pin Out

UNIT:mm		
TOLERANCE		
.X	±0.25	
.XX	±0.1	
.XXX	±0.05	
ANGLES	±1°	

TITLE SSL11 WIRE ASS'Y, W/O LOCK 6-POS, PLUG TO OPEN			
SCALE 3:1	SIZE A4	SHEET 1 OF 1	
REV. A	WC-REV. A.2	(QC): Inspection item	

Amphenol LTW
 安費諾亮泰企業股份有限公司

ITEM NO	DRAWN BY Fisher_Wang	DATE 2014-02-11
DWG NO SSL11-P6LP0-022AXX	CHECKED BY Ivan_Lin	DATE 2014-02-11
CUSTOMER ALTW	APPROVED BY Kevin_Hu	DATE 2014-02-11