

Piggyback Connectors

Non-Insulated Piggyback Connectors

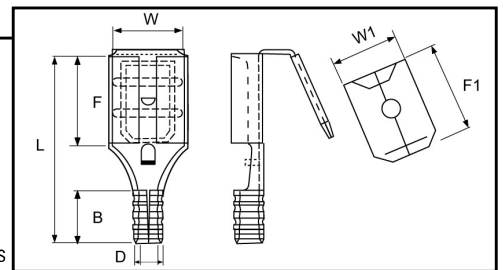
Material: Tin Plated Brass

Temperature: 300°F

Maximum Electrical Current: 22-16: 10 Amps
 16-14: 15 Amps
 12-10: 24 Amps

Barrel ID (d1): 0.067
Barrel ID (d1): 0.091
Barrel ID (d1): 0.134

T= Material Thickness



| HOFFMAN PART NO. | WIRE SIZE | TAB | DIMENSIONS (INCHES) | | | | | | | | | UL | TAPE MOUNT REEL QTY | DIE FOR TAPE MOUNT | HAND TOOL |
|------------------|-----------|-------------|---------------------|------|------|------|------|------|------|------|---|----|---------------------|--------------------|-----------|
| | | | W | W1 | F | F1 | L | B | D | T | | | | | |
| DFM2216T250A | 22-16 | .250 x .032 | .260 | .250 | .315 | .232 | .630 | .189 | .106 | .031 | N | NA | NA | YHM228 | |
| DFM1614T250A | 16-14 | .250 x .032 | .260 | .250 | .315 | .323 | .598 | .189 | .130 | .031 | N | NA | NA | YHM228 | |

Vinyl Insulated Piggyback Connectors

Material: Tin Plated Brass

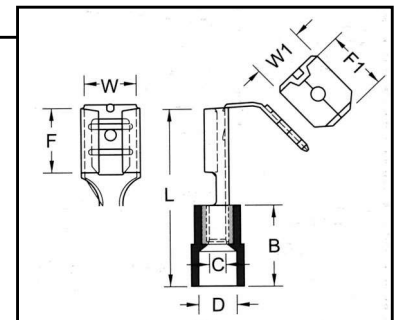
Insulation Material: Vinyl

Maximum Electrical Rating: 75°C, 300V

Maximum Electrical Current: 22-16: 10 Amps
 16-14: 15 Amps
 12-10: 24 Amps

Barrel ID (d1): 0.067
Barrel ID (d1): 0.091
Barrel ID (d1): 0.134

T= Material Thickness



| HOFFMAN PART NO. | WIRE SIZE | TAB | DIMENSIONS (INCHES) | | | | | | | | | UL | TAPE MOUNT REEL QTY | DIE FOR TAPE MOUNT | HAND TOOL |
|------------------|-----------|-------------|---------------------|------|-------|-------|-------|-------|-------|-------|---|----|---------------------|--------------------|-----------|
| | | | W | W1 | F | F1 | L | B | D | T | | | | | |
| FVDFM2216T250A | 22-16 | .250 x .032 | .260 | .250 | 0.315 | 0.323 | 0.866 | 0.394 | 0.157 | 0.016 | N | NA | NA | YNM2210C | |
| FVDFM1614T250A | 16-14 | .250 x .032 | .260 | .250 | 0.315 | 0.323 | 0.866 | 0.394 | 0.177 | 0.016 | N | NA | NA | YNT1614 | |
| FVDFM1614T250A/J | 16-14 | .250 x .032 | .268 | .248 | 0.307 | 0.315 | 0.875 | 0.374 | 0.169 | 0.016 | Y | NA | NA | YNM2210C | |
| FVDFM1210T250A | 12-10 | .250 x .032 | .260 | .250 | 0.315 | 0.323 | 0.945 | 0.512 | 0.217 | 0.016 | N | NA | NA | YNM2210C | |

Vinyl Insulated Piggyback with Support Sleeve

Material: Tin Plated Brass

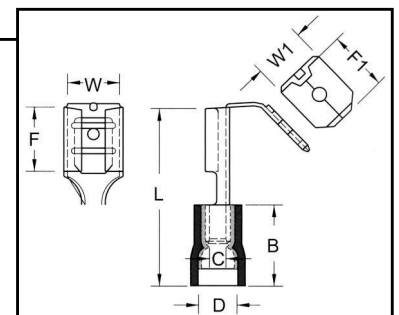
Insulation Material: Vinyl

Maximum Electrical Rating: 75°C, 300V

Maximum Electrical Current: 22-16: 10 Amps
 16-14: 15 Amps
 12-10: 24 Amps

Barrel ID (d1): 0.067
Barrel ID (d1): 0.091
Barrel ID (d1): 0.134

T= Material Thickness



| HOFFMAN PART NO. | WIRE SIZE | TAB | DIMENSIONS (INCHES) | | | | | | | | | UL | TAPE MOUNT REEL QTY | DIE FOR TAPE ON REEL | HAND TOOL |
|------------------|-----------|-------------|---------------------|------|-------|-------|-------|-------|-------|-------|---|----|---------------------|----------------------|-----------|
| | | | W | W1 | F | F1 | L | B | D | T | | | | | |
| FVDDFM2216T250A | 22-16 | .250 x .032 | .260 | .250 | 0.315 | 0.323 | 0.886 | 0.413 | 0.150 | 0.016 | Y | NA | NA | YNM2210D | |
| FVDDFM1614T250A | 16-14 | .250 x .032 | .260 | .250 | 0.315 | 0.323 | 0.886 | 0.413 | 0.185 | 0.016 | Y | NA | NA | YNM2210D | |
| FVDDFM1210T250A | 12-10 | .250 x .032 | .260 | .250 | 0.315 | 0.323 | 0.945 | 0.512 | 0.244 | 0.016 | Y | NA | NA | YNM2210D | |

