

Waterproof series connector



M8 to open cable

Waterproof M8 series cable product are available to meet Industry 4.0 automation control equipment. Can be used at Signal Transmission, Power, Sensor and Cable Connection. We can customize waterproof series cable for user's requirements.

IP67 Waterproof.

Specification

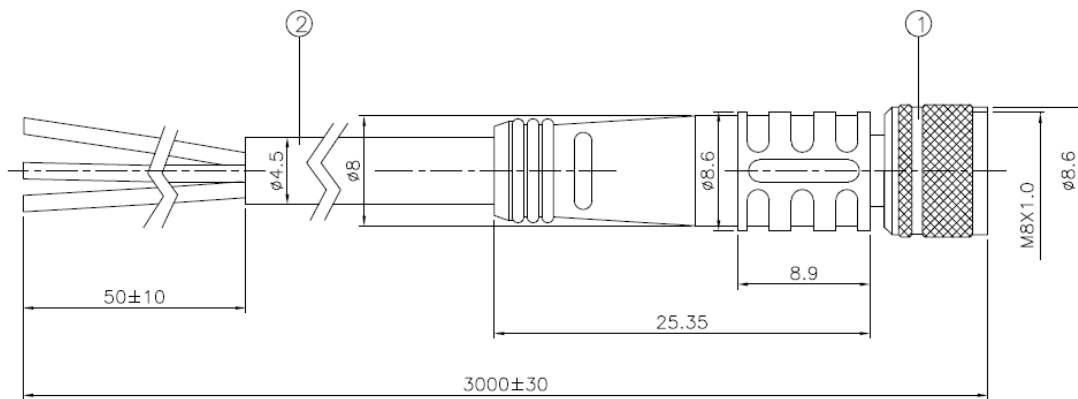
Part Number	PZBACN030-0001
Product Series	Waterproof M12 series connector
Connector Type	Plug Female
Shell Size	M8
No. Of Contact	3 Pin
Current Rating	4A &60V AC/DC
Voltage Rating	125V
Operating temperature range	-20°C~+85°C
Withstanding voltage	AC 300V for 1 minute
Insulation resistance	100V
Contact resistance	4A & 60V AC/DC
Repeated mating	1000

Application

Servo Motors	Automobiles
Power	Electric Vehicles
Electronics & Electrical	Communication Equipment
Mechanical	Military Applications
Medical Equipment	Industrial Application

M8 to open cable

Plug Female Interface Dimensions



Product Material

1. 3 PIN CONNECTOR	1
2. WIRE	3M

