

## Push-Pull Circular Connectors



Application	
Motors	Power
Electronics	Mechanical
Medical Equipment	MRT
Automobiles	Electric Vehicles
Communication Equipment	Military Application

## B Metal series

JPC offers diversified plastic and medical connectors ideal for medical equipment. Features including quick mating/unmating, keying, color-coding, chemical resist, vibration resist, enduring high-temperature, and pressure. From patient monitoring devices to disposable surgical ablation catheters, our connectors offer medical grade push-pull self latching connector in plastic, metal, and even waterproof IP68 connector features. Furthermore, our customization service can offer you proper features to meet your medical connector needs.

### Technical Data

Part Number	PZACF2BXD12101
For cable ø	1.4 to 9.9 mm
Current rating	1.5 to 25A
Dielectric withstanding voltage	0.6 to 2.4 kV rms
Insulation resistance	10 <sup>12</sup> Ω
Temperature range	-55°C to 250°C
Durability: gt	5,000 cycles
Shielding: gt	75dB at 10Mhz; gt;40dB at 1Ghz
NO. of contacts	2 to 32 Pin

### Product Features

Push-Pull self-latching

Quick and easy mating and de-mating

FDA approved biocompatible materials (PSU or PEI)

Electrical Safety (touch & scoop proof)

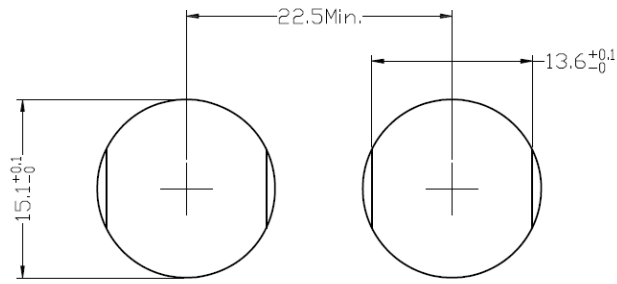
Multiple Key options (6 keyways)

Wide selection of colors for easy recognition (Black, White, Red, Yellow, Green, Blue, Grey)

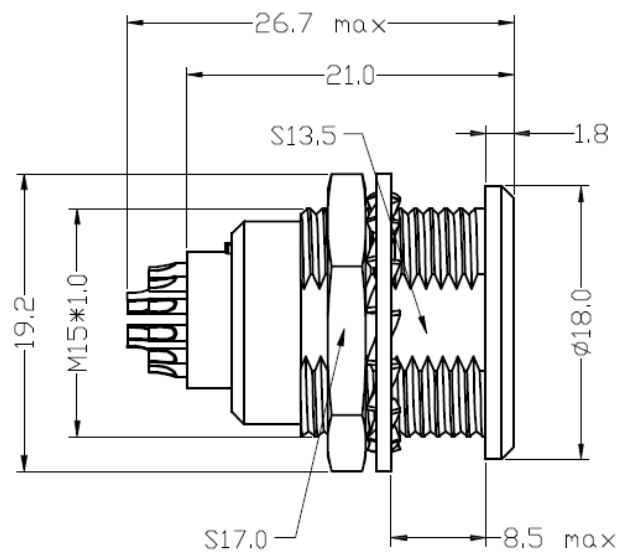
Watertight and disposable connectors available

## B Metal series

### Interface Dimensions



PANEL CUT-OUT



### Key Direction

