

Push-Pull Circular Connectors



| Application | |
|-------------------------|----------------------|
| Motors | Power |
| Electronics | Mechanical |
| Medical Equipment | MRT |
| Automobiles | Electric Vehicles |
| Communication Equipment | Military Application |

K Metal series

JPC offers diversified plastic and medical connectors ideal for medical equipment. Features including quick mating/unmating, keying, color-coding, chemical resist, vibration resist, enduring high-temperature, and pressure. From patient monitoring devices to disposable surgical ablation catheters, our connectors offer medical grade push-pull self latching connector in plastic, metal, and even waterproof IP68 connector features. Furthermore, our customization service can offer you proper features to meet your medical connector needs.

Technical Data

| | |
|---------------------------------|--------------------------------|
| Part Number | PZACF0KXD13061 |
| For cable ø | 1.1 to 8.5 mm |
| Current rating | 1.5 to 25A |
| Dielectric withstanding voltage | 0.6 to 2.4 kV rms |
| Insulation resistance | 10 ¹² Ω |
| Temperature range | -50°C to 200°C |
| Durability: gt | 5,000 cycles |
| Shielding: gt | 95dB at 10Mhz; gt;80dB at 1Ghz |
| NO. of contacts | 2 to 32 Pin |

Product Features

Push-Pull self-latching

Quick and easy mating and de-mating

FDA approved biocompatible materials (PSU or PEI)

Electrical Safety (touch & scoop proof)

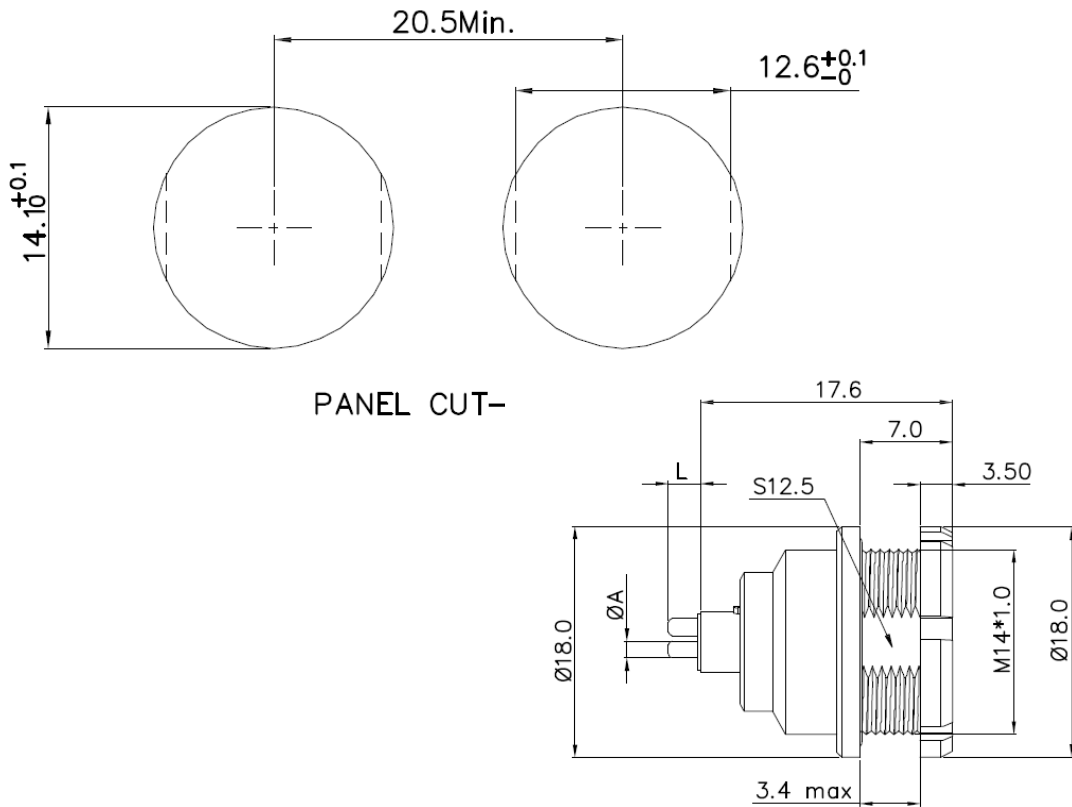
Multiple Key options (6 keyways)

Wide selection of colors for easy recognition (Black, White, Red, Yellow, Green, Blue, Grey)

Watertight and disposable connectors available

K Metal series

Interface Dimensions



Key Direction

