

Waterproof series connector



Waterproof M12 series

M12 X-Coded connectors are available to meet Industry 4.0 automation control equipment. It can be used at Signal Transmission, Power, Sensor and Cable Connection. The connectors are designed for transmission technology according to CAT6A and 500MHz/10 Gigabit and are standardized to IEC 61076-2-109, ensuring an industry-wide connector compatibility.

Specification

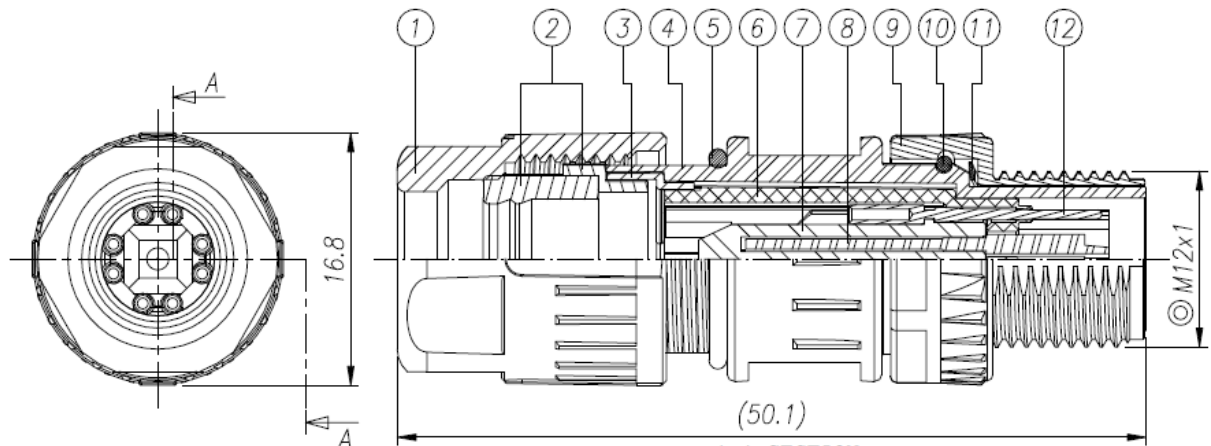
Part Number	PZAACM12A12081
Product Series	Waterproof M12 series connector
Connector Type	Plug male
Shell Size	M12 X-Code
No. Of Contact	8Pin
Contact Resistance	5 MAX
Withstanding Voltage	800
Insulation Impedance	100M
Rate Voltage	50 MAX
Rate Current	0.5MAX
Operation Temperature	-40°C ~85°C
Waterproof	IP67

Application

Servo Motors	Automobiles
Power	Electric Vehicles
Electronics & Electrical	Communication Equipment
Mechanical	Military Applications
Medical Equipment	Industrial Application

Waterproof M12 series

Plug Male Interface Dimensions



Product Material

1.CAP	ZDC3
2.SAEL	PA6 fireproof TPU90
3.CLAMP	ZDC3
4.BODY	ZDC3
5.O-RING	NBR
6.INSULATOR	PA66+15%GF
7.INSULATOR	PA66+15%GF
8.Foolproof pillar	ZDC3
9.CAP	ZDC3
10.BUCKLE	SUS304
11.WASHER	C-1720R
12.CONTACT	C3604BD