

Industrial Circular Series Connector



Industrial Circular-30

Industrial Circular-30 Series (Input Type)

Industrial Circular-30 series connector product are available to meet Industry 4.0 automation control equipment. Can be used at Signal Transmission, Power, Sensor and Cable Connection.

Specification

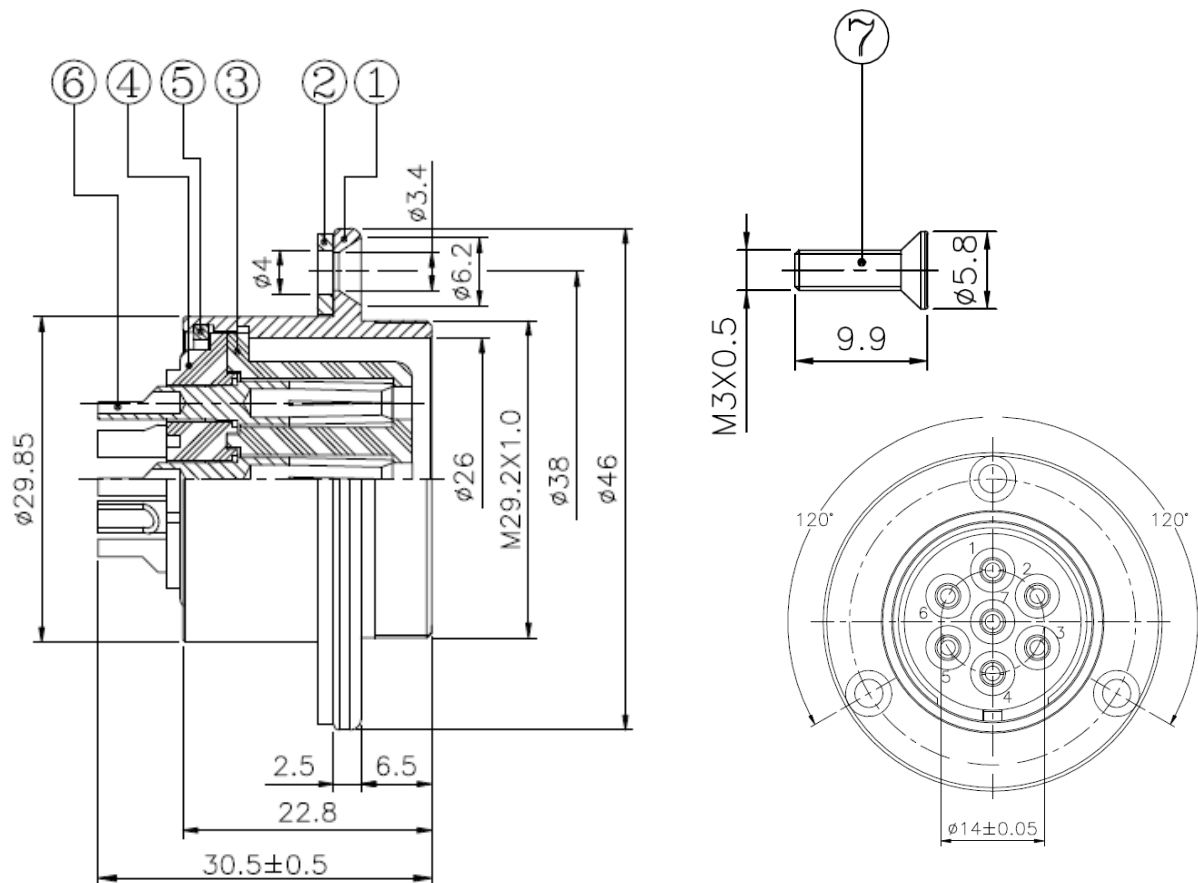
| | |
|-------------------------|--------------------------------------|
| Part Number | PZAAAPLTD30071 |
| Product Series | Industrial Circular Series Connector |
| Connector Type | Receptacle Female |
| Shell Size | 30 |
| No. Of Contact | 7 Pin |
| Current Rating | 15A |
| Voltage Rating | 250V |
| Operating voltage limit | 400AC |
| Withstanding voltage | 1800AC |
| Insulation resistance | 2000AC |
| Contact resistance | 45A |
| Mating Cycles | 500 |

Application

| | |
|--------------------------|-------------------------|
| Servo Motors | Automobiles |
| Power | Electric Vehicles |
| Electronics & Electrical | Communication Equipment |
| Mechanical | Military Applications |
| Medical Equipment | Industrial Application |

Industrial Circular-30

Receptacle Female Interface Dimensions



Product Material

| | |
|-------------|-----------------|
| 1.BODY | Zn ALLOY |
| 2.WASHER | RUBBER |
| 3.INSULATOR | BAKELITE |
| 4.INSULATOR | BAKELITE |
| 5.Buckle | Stainless Steel |
| 6.CONTACT | COPPER ALLOY |
| 7.SCREW | STEEL |