

Industrial Circular Series Connector



Industrial Circular-16 Series

Industrial Circular-16 Series (Input Type), Stainless Steel

Industrial Circular-16 series connector product are available to meet Industry 4.0 automation control equipment. Can be used at Signal Transmission, Power, Sensor and Cable

Specification

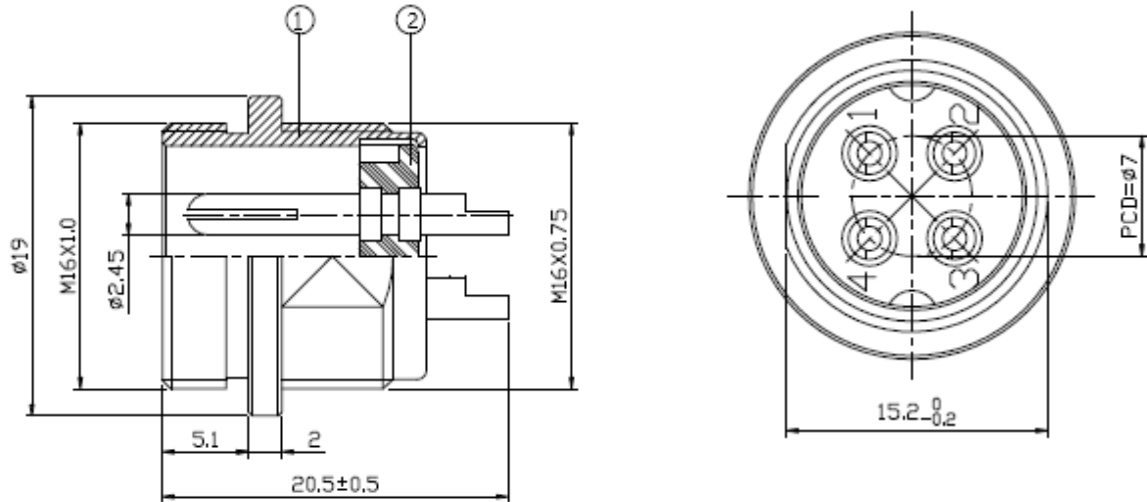
Part Number	PZAAAPLTC16041
Product Series	Industrial Circular Series Connector
Connector Type	Receptacle Male
Shell Size	16
No. Of Contact	4 Pin
Current Rating	5A
Voltage Rating	125V
Operating voltage limit	200AC
Withstanding voltage	1000AC
Insulation resistance	1000AC
Contact resistance	15A
Operating Temperature Range	-20°C~+85°C
Mating Cycles	500

Application

Servo Motors	Automobiles
Power	Electric Vehicles
Electronics & Electrical	Communication Equipment
Mechanical	Military Applications
Medical Equipment	Industrial Application

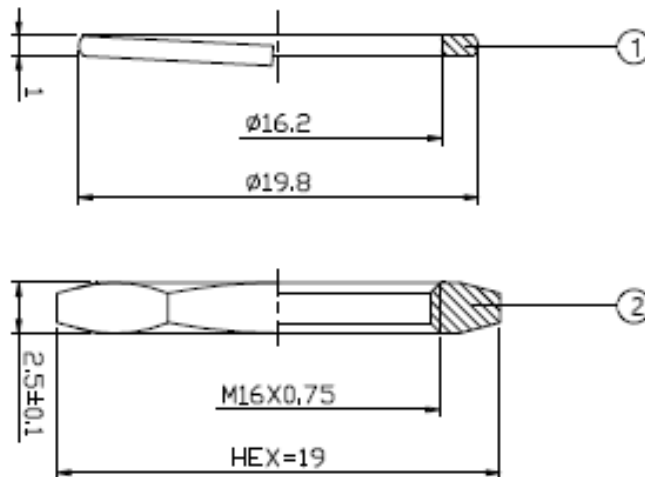
Industrial Circular-16

Receptacle Male Interface Dimensions



Product Material

1. BODY	Zn ALLOY
2. INSULATOR	BAKELITE



Product Material

1. SPRING WASHER	SUP3
2. NUT	COPPER ALLOY