

Industrial Circular Series Connector



Industrial Circular-16 Series

Industrial Circular-16 Series (Input Type), Stainless Steel

Industrial Circular-16 series connector product are available to meet Industry 4.0 automation control equipment. Can be used at Signal Transmission, Power, Sensor and Cable

Specification

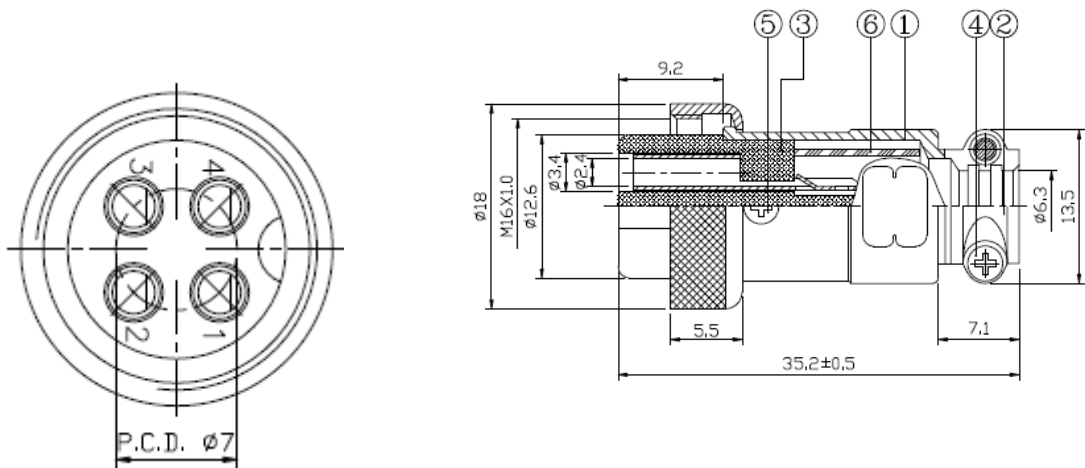
Part Number	PZAAAPLTB16041
Product Series	Industrial Circular Series Connector
Connector Type	Plug Female
Shell Size	16
No. Of Contact	4 Pin
Current Rating	5A
Voltage Rating	125V
Operating voltage limit	200AC
Withstanding voltage	1000AC
Insulation resistance	1000AC
Contact resistance	15A
Operating Temperature Range	-20°C~+85°C
Mating Cycles	500

Application

Servo Motors	Automobiles
Power	Electric Vehicles
Electronics & Electrical	Communication Equipment
Mechanical	Military Applications
Medical Equipment	Industrial Application

Industrial Circular-16

Plug Female Interface Dimensions



Product Material

1.BODY	Zn ALLOY
2.CLAMP	Zn ALLOY
3.INSULATOR	BAKELITE
4.SCREW	STEEL
5.SCREW	STEEL
6.PIPE	PE

Back View

